

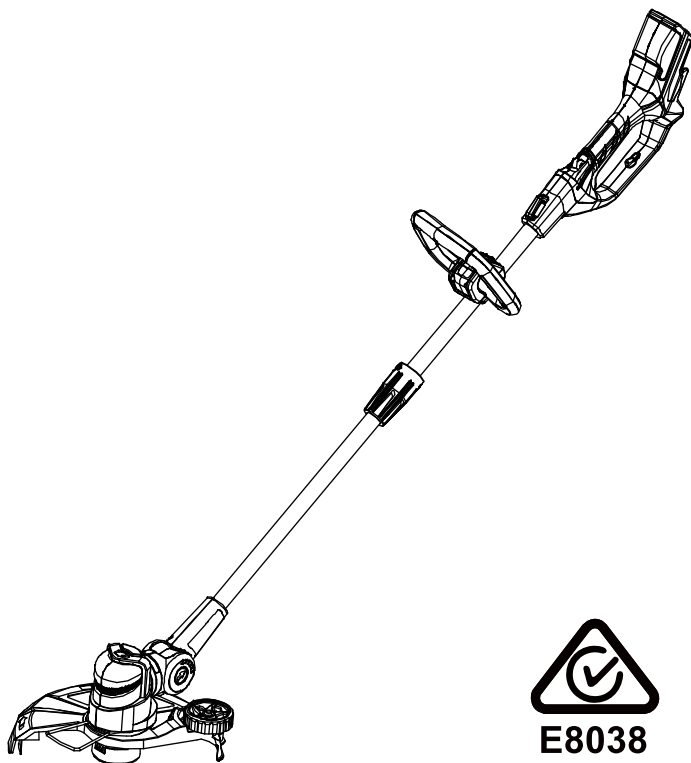
# greenworks

2100007AU

EN

STRING TRIMMER

OPERATOR MANUAL

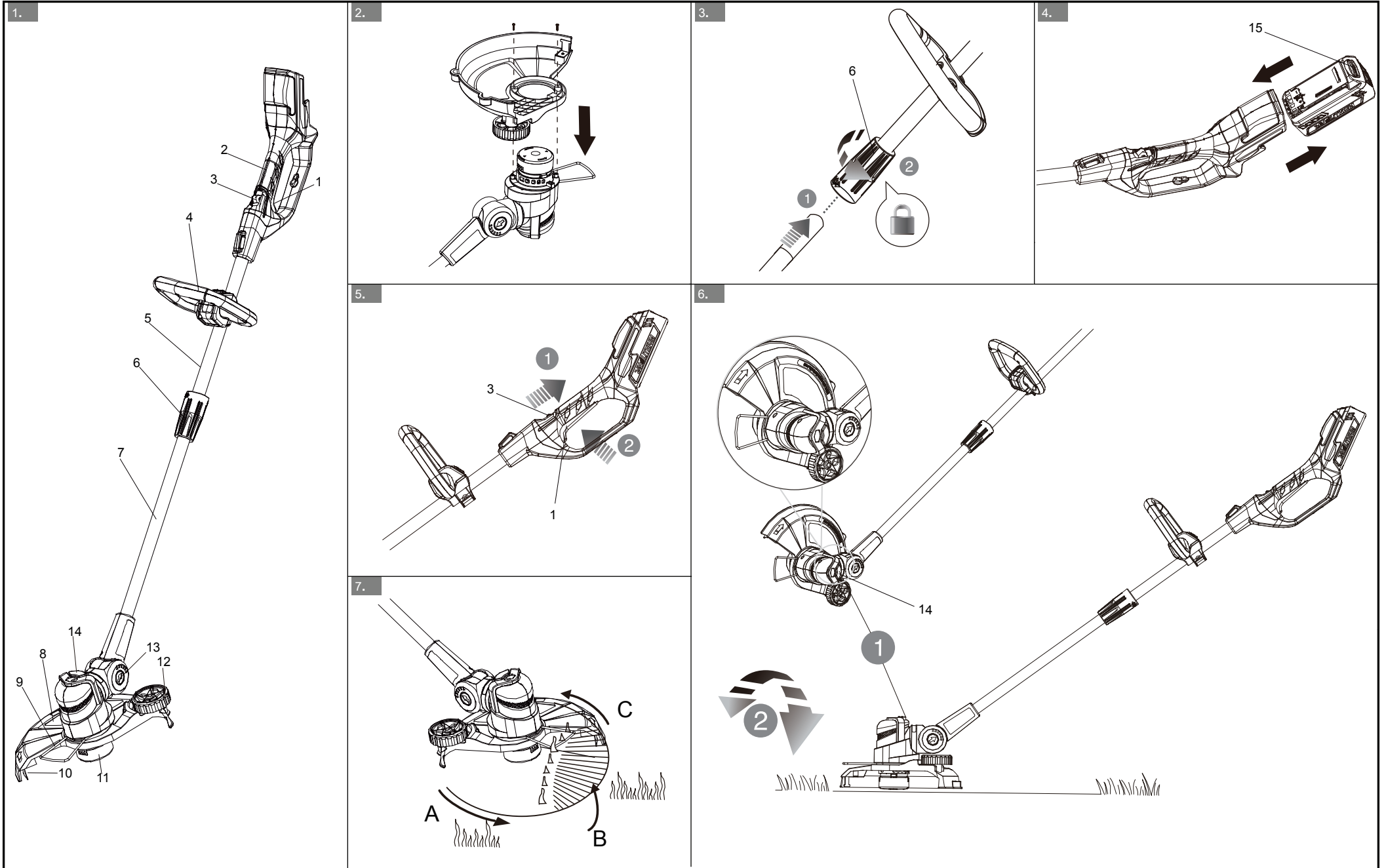


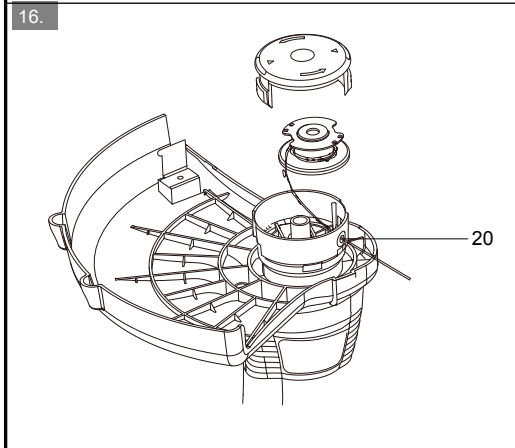
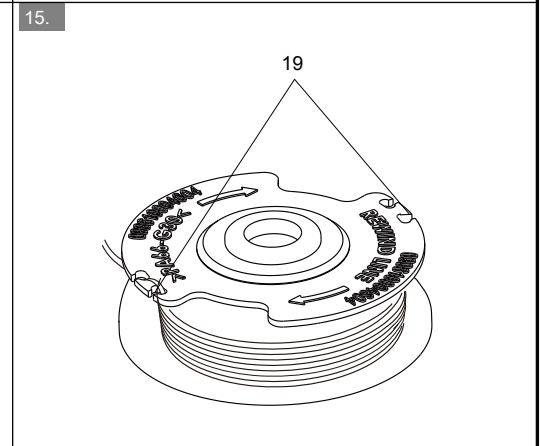
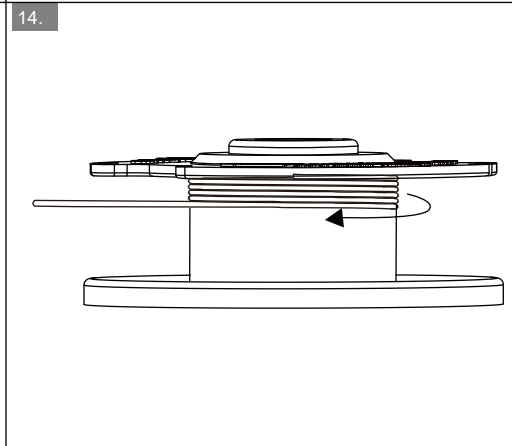
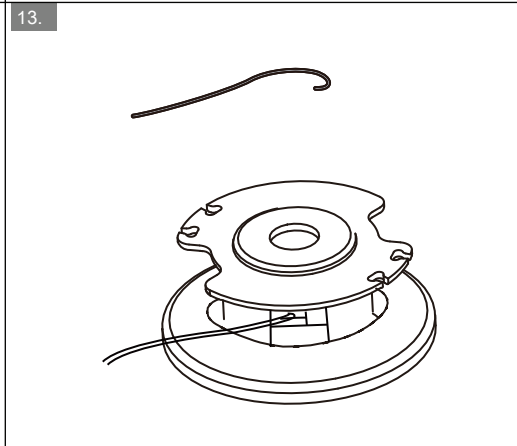
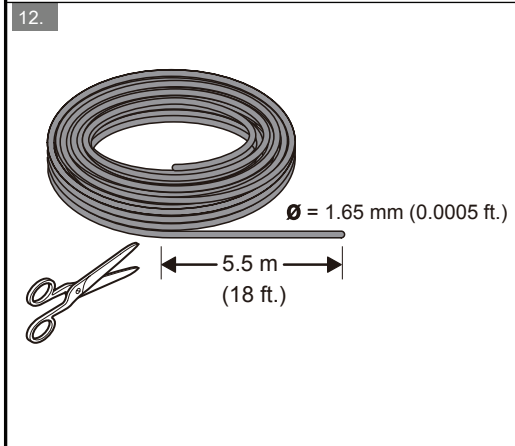
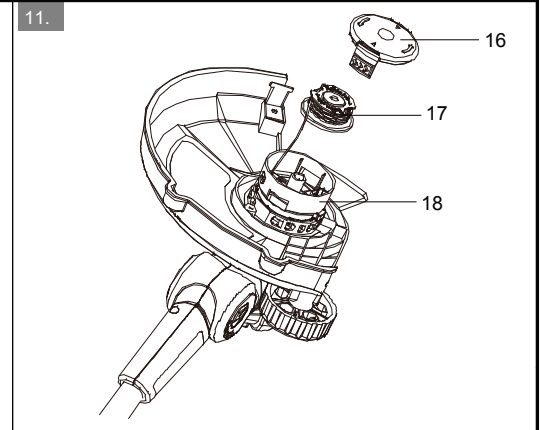
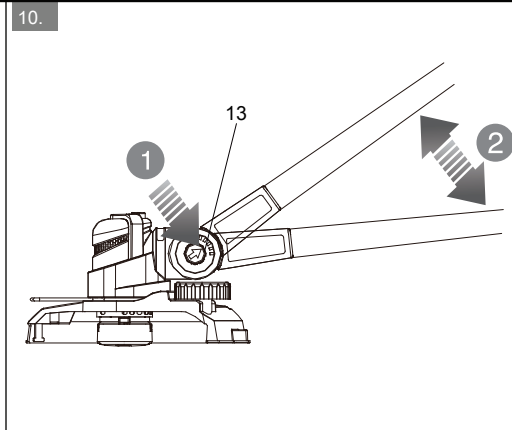
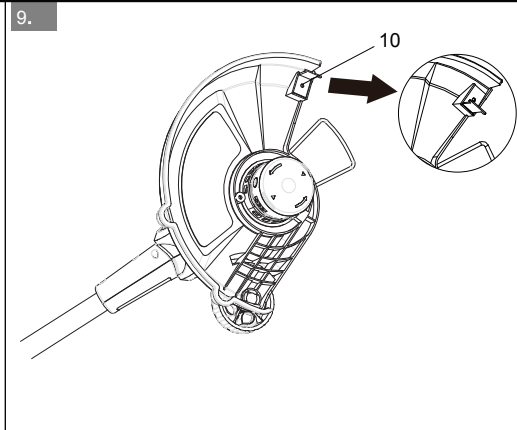
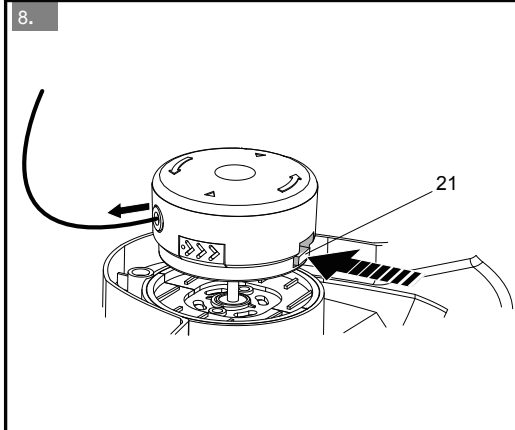
**E8038**

**STG304**

Greenworks Australia  
A Division Jak Max P/L  
380 Foley's Road Derrimut  
Victoria, Australia 3026

[www.greenworksaustralia.com](http://www.greenworksaustralia.com)





<b>1</b>	<b>Description.....</b>	<b>2</b>	9.1	Controls.....	6
1.1	Purpose.....	2	9.2	Start the machine.....	6
1.2	Overview.....	2	9.3	Stop the machine.....	6
<b>2</b>	<b>Introduction.....</b>	<b>2</b>	9.4	Operation tips.....	6
<b>3</b>	<b>General power tool safety</b>		9.5	Cutting tips.....	6
	<b>warnings.....</b>	<b>2</b>	9.6	Adjust the length of the cutting line.....	6
3.1	Training.....	2	9.7	Adjust the length of the cutting line	
3.2	Preparation.....	2		manually.....	7
3.3	Operation.....	3	9.8	Line cut-off blade.....	7
3.4	Maintenance.....	3	9.9	Adjust the cutting diameter.....	7
3.5	Service.....	4	9.10	Change to the edging mode.....	7
<b>4</b>	<b>String trimmer safety warnings.....</b>	<b>4</b>	9.11	Pivoting Head Function .....	7
<b>5</b>	<b>Symbols on the product.....</b>	<b>4</b>	<b>10</b>	<b>Maintenance.....</b>	<b>7</b>
<b>6</b>	<b>Risk levels.....</b>	<b>5</b>	10.1	General information.....	7
<b>7</b>	<b>Recycle.....</b>	<b>5</b>	10.2	Clean the machine.....	8
<b>8</b>	<b>Installation.....</b>	<b>5</b>	10.3	Replace the spool.....	8
8.1	Unpack the machine.....	5	10.4	Replace the cutting line.....	8
8.2	Attach the guard.....	6	<b>11</b>	<b>Transportation and storage.....</b>	<b>8</b>
8.3	Assemble the shaft.....	6	11.1	Move the machine.....	8
8.4	Install the battery pack.....	6	11.2	Store the machine.....	8
8.5	Remove the battery pack.....	6	<b>12</b>	<b>Troubleshooting.....</b>	<b>8</b>
<b>9</b>	<b>Operation.....</b>	<b>6</b>	<b>13</b>	<b>Technical data.....</b>	<b>9</b>
			<b>14</b>	<b>Warranty.....</b>	<b>9</b>

## 1 DESCRIPTION

### 1.1 PURPOSE

This machine is used to cut grass, light weeds, and other similar vegetation at or around ground level. The cutting plane must be approximately parallel to the ground surface. You cannot use the machine to cut or chop hedges, shrubs, bushes, flowers and compost.

### 1.2 OVERVIEW

Figure 1 - 16.

1	Trigger
2	Rear handle
3	Lock-out button
4	Auxiliary handle
5	Upper shaft
6	Coupler
7	Lower shaft
8	Guard
9	Edge guide
10	Cut-off blade
11	Trimmer head
12	Edge wheel
13	Pivoting button
14	Edger button
15	Battery release button
16	Spool cover
17	Spool
18	Spool housing
19	Guide slot
20	Hole
21	Spool retainer button
A	Direction of rotation
B	Best cutting area
C	Dangerous cutting area

## 2 INTRODUCTION

Your product has been engineered and manufactured to high standards for dependability, ease of operation, and operator safety. When properly cared for, it will give you years of rugged, trouble-free performance.

## 3 GENERAL POWER TOOL SAFETY WARNINGS

### ▲ WARNING

Read all safety warnings and all instructions. Failure to follow the warnings and instructions may result in electric shock, fire and/or serious injury.

Save all warnings and instructions for future reference.

The term "power tool" in the warnings refers to your battery-operated (cordless) power tool.

## 3.1 TRAINING

- Read the instructions carefully. Be familiar with the controls and the correct use of the machine.
- Never allow children, persons with reduced physical, sensory or mental capabilities or lack of experience and knowledge or people unfamiliar with these instructions to use the machine. Local regulations can restrict the age of the operator.
- Keep in mind that the operator or user is responsible for accidents or hazards occurring to other people or their property.

## 3.2 PREPARATION

- Before use, check the battery pack for signs of damage or aging. If the battery becomes damaged during use, switch off the power tool and remove the battery immediately. Do not use the power tool if the battery is damaged or worn.

- Before use, always visually inspect the power tool for damaged, missing or misplaced guards or shields.

### 3.3 OPERATION

- Keep power cords away from cutting means.
- Wear eye protection and stout shoes at all times while operating the power tool.
- Avoid using the power tool in bad weather conditions especially when there is a risk of lightning.
- Use the power tool only in daylight or good artificial light.
- Never operate the power tool with damaged guards or shields or without guards or shields in place.
- Switch on the motor only when the hands and feet are away from the cutting means.
- Always disconnect the power tool from the power supply (i.e. remove the plug from the mains, remove the disabling device or removable battery)

- whenever the power tool is left unattended;
- before clearing a blockage;
- before checking, cleaning or working on the power tool;
- after striking a foreign object;
- whenever the power tool starts vibrating abnormally.
- Take care against injury to feet and hands from the cutting means.
- Always ensure that the ventilation openings are kept clear of debris.

### 3.4 MAINTENANCE

- Disconnect the power tool from the power supply (i.e. remove the plug from the mains, remove the disabling device or removable battery) before carrying out maintenance or cleaning work.
- Use only the manufacturer's recommended replacement parts and accessories.
- Inspect and maintain the power tool regularly. Have the power tool repaired only by an authorized repairer.

- When not in use, store the power tool out of the reach of children.

### 3.5 SERVICE

- **Have your power tool serviced by a qualified repair person using only identical replacement parts.** This will ensure that the safety of the power tool is maintained.

## 4 STRING TRIMMER SAFETY WARNINGS


- Children shall not play with the power tool.
- Cleaning and user maintenance shall not be made by children without supervision.
- The battery must be removed from the power tool before it is scrapped.
- The power tool must be disconnected from the supply mains when removing the battery.
- The battery is to be disposed of safely.
- Do not overreach. Keep proper footing and balance at all times. This enables better

control of the power tool in unexpected situations.

- Dress properly. Do not wear loose clothing or jewellery. Keep your hair, clothing and gloves away from moving parts. Loose clothes, jewellery or long hair can be caught in moving parts.
- This power tool is not intended for use by persons (including children) with reduced physical, sensory or mental capabilities, or lack of experience and knowledge, unless they have been given supervision or instruction concerning use of the power tool by a person responsible for their safety.
- Children should be supervised to ensure that they do not play with the power tool.

## 5 SYMBOLS ON THE PRODUCT




Some of the following symbols may be used on this tool. Please study them and learn their meaning. Proper interpretation of these symbols will allow you to operate the tool better and safer.

Symbol	Explanation
	Read and understand all instructions before operating the product, follow all warnings and safety instructions.




Symbol	Explanation
	Wear head protection.
	Wear eye and ear protection.
	Wear safety footwear.
	Wear protective gloves.
	Do not expose the product to rain or moist conditions.
	Thrown objects can ricochet and result in personal injury or property damage. Wear protective clothing and boots.
	Beware of thrown or flying objects. Keep all bystanders, especially children and pets, at a safe distance at least 15 m away from the operating area.
	Keep bystanders a safe distance away from the product.

## 6 RISK LEVELS

The following signal words and meanings are intended to explain the levels of risk associated with this product.

SYMBOL	SIGNAL	MEANING
	DANGER	Indicates an imminently hazardous situation, which, if not avoided, will result in death or serious injury.
	WARNING	Indicates a potentially hazardous situation, which, if not avoided, could result in death or serious injury.
	CAUTION	Indicates a potentially hazardous situation, which, if not avoided, may result in minor or moderate injury.
	CAUTION	(Without Safety Alert Symbol) Indicates a situation that may result in property damage.

## 7 RECYCLE

	Separate collection. You must not discard with usual household waste. If it is necessary to replace the machine, or if it is no more use to you, do not discard it with household waste. Make this machine available for separate collection.
	Separate collection of used machine and packaging let you recycle materials and use them again. Use of the recycled materials helps prevent environmental pollution and decreases the requirements for raw materials.
	At the end of their useful life, discard batteries with a precaution for our environment. The battery contains material that is dangerous to you and the environment. You must remove and discard these materials separately at a equipment that accepts lithium-ion batteries.

## 8 INSTALLATION

### ▲ WARNING

Remove the battery pack from the machine before installation.

### ▲ WARNING

Do not use accessories that are not recommended for this machine.

### 8.1 UNPACK THE MACHINE

#### ▲ WARNING

Make sure that you correctly assemble the machine before use.

#### ▲ WARNING

- If the parts are damaged, do not use the machine.
- If you do not have all the parts, do not operate the machine.
- If the parts are damaged or missing, speak to the service center.

1. Open the package.
2. Read the documentation in the box.
3. Remove all the unassembled parts from the box.
4. Remove the machine from the box.
5. Discard the box and package in compliance with local regulations.



## 8.2 ATTACH THE GUARD

Figure 2.

### ▲ WARNING

Do not touch the cut-off blade.

1. Remove the screws from the trimmer head with a Phillips head screwdriver (not included).
2. Install the guard into the slots on trimmer head.
3. Turn the guard counterclockwise to lock it into place.
4. Align the screw holes on the guard with the screw holes on the trimmer head.
5. Tighten the screws.

## 8.3 ASSEMBLE THE SHAFT

Figure 3

1. Insert the lower shaft into the coupler on the upper shaft.

### i NOTE

Make sure the upper and lower part of shafts are securely tightened before installing the battery pack again.

2. Tighten the coupler.

## 8.4 INSTALL THE BATTERY PACK

Figure 4.

### ▲ WARNING

- If the battery pack or charger is damaged, replace the battery pack or the charger.
- Stop the machine and wait until the motor stops before you install or remove the battery pack.
- Read, know, and do the instructions in the battery and charger manual.

1. Align the lift ribs on the battery pack with the grooves in the battery compartment.
2. Push the battery pack into the battery compartment until the battery pack locks into place.
3. When you hear a click, the battery pack is installed.

## 8.5 REMOVE THE BATTERY PACK

Figure 4.

1. Push and hold the battery release button.
2. Remove the battery pack from the machine.

## 9 OPERATION

### i IMPORTANT

Before you operate the machine, read and understand the safety regulations and the operation instructions.

### ▲ WARNING

Be careful when you operate the machine.

## 9.1 CONTROLS

## 9.2 START THE MACHINE

Figure 5.

1. Pull back on the lock-out button and pull the trigger.

## 9.3 STOP THE MACHINE

Figure 5.

1. Release the trigger to stop the machine.

## 9.4 OPERATION TIPS

Figure 6.

### ▲ WARNING

Keep clearance between the body and the machine.

### ▲ WARNING

Do not operate the machine without guard in place.

### Do these tips when you use the machine

- Keep the machine connected to the correctly worn harness.
- Keep a firm hold with the two hands on the machine while you operate the machine.
- Cut tall grass from the top down.

### If grass winds around the trimmer head:

- Remove the battery pack.
- Remove the grass.

## 9.5 CUTTING TIPS

Figure 7.

- Tilt the machine toward the area to be cut. Use the tip of the cutting line to cut grass.
- Move the machine from right to left to prevent thrown debris toward the operator.
- Do not cut in the dangerous area.
- Do not force the trimmer head into uncut grass.
- Wire and picket fences cause cutting line wear and breakage. Stone and brick walls, curbs, and wood can wear the cutting line quickly.

## 9.6 ADJUST THE LENGTH OF THE CUTTING LINE

Figure 5.

**i NOTE**

The machine has an auto-feed head. It will damage the machine if you hit the head to try to advance the line.

**i NOTE**

If the cutting line does not automatically advance, it can be tangled or empty.

1. When the machine is on, release the trigger.
2. Wait two seconds, push the trigger again.

**i NOTE**

The line will extend approximately 0.4 in. with each stop and start of the switch trigger until the line reaches the cut-off blade and the cut-off blade cuts the excess length.

## 9.7 ADJUST THE LENGTH OF THE CUTTING LINE MANUALLY

Figure 8

1. Stop the machine.
2. Push the spool retainer button and pull on cutting line to manually advance the cutting line.
3. After you extend new cutter line, always return the machine to its normal position before you start it again.

## 9.8 LINE CUT-OFF BLADE

Figure 9.

This trimmer is equipped with a line cut-off blade on the guard. The line cut off blade continuously trims the line to ensure a consistent and efficient cut diameter. Advance line whenever you hear the engine running faster than normal, or when trimming efficiency diminishes. This will maintain best performance and keep line long enough to advance properly.

## 9.9 ADJUST THE CUTTING DIAMETER

Figure 9.

**i NOTE**

The machine is set at a 10 in. (254 mm) cutting diameter. You can adjust to a 12 in. (305 mm) cutting diameter.

Set the cutting diameter to 10 in. (254 mm) for greater runtime and 12 in. (305 mm) for a larger cutting area.

1. Remove the battery pack.
2. Remove the blade screws from the cut-off blade.
3. Turn the cut-off blade 180°.
4. Tighten the blade screws.

## 9.10 CHANGE TO THE EDGING MODE

Figure 6.

**i NOTE**

You can change the machine to a well groomed edger for edging patios, driveways and walkways or other areas.

1. Stop the machine.
2. Push on the edge button and turn the trimmer head 90 degrees until the trimmer head locks into position.
3. Release the edge button.

## 9.11 PIVOTING HEAD FUNCTION

Figure 10.

**i NOTE**

Adjust pivoting head to trim areas which are hard to reach and for users to operate comfortably.

1. Stop the machine.
2. Push on the pivoting button and turn the shaft until the trimmer head locks into required position.
3. Release the pivoting button.

## 10 MAINTENANCE

**i IMPORTANT**

Read and understand the safety regulations and the maintenance instructions before you clean, repair or do the maintenance work on the machine.

**i IMPORTANT**

Make sure that all nuts, bolts and screws are tight. Examine regularly that you install the handles tightly.

**i IMPORTANT**

Use only the replacement parts and accessories of the initial manufacturer.

## 10.1 GENERAL INFORMATION

**i IMPORTANT**

Only your dealer or approved service center can do the maintenance that is not given in this manual.

Before the maintenance operations:

- Stop the machine.
- Remove the battery pack.
- Cool the motor.
- Store the machine in cool and dry place.
- Use correct clothing, protective gloves and safety glasses.

### 10.2 CLEAN THE MACHINE

- Clean the machine after use with a moist cloth dipped in neutral detergent.
- Do not use aggressive detergents or solvents to clean the plastic parts or handles.
- Keep the trimmer head free of grass, leaves, or excessive grease.
- Keep the air vents clean and free of debris to avoid overheating and damage to the motor or the battery.
- Do not spray water onto the motor and electrical components.

### 10.3 REPLACE THE SPOOL

Figure 11.

1. Push the tabs on the sides of the trimmer head at the same time.
2. Pull and remove the spool cover.
3. Remove the spool.
4. Replace with a new spool.

**i NOTE**

Make sure that the cutting line is in the guide slot on the new spool, and is extended approximately 5 in. before you install the new spool.

5. Put the end of the cutting line through the eyelet.
6. Extend the cutting line to release it from the guide slot in the spool.
7. Push the tabs and install the spool cover onto the spool housing.
8. Push the spool cover until it clicks into position.

### 10.4 REPLACE THE CUTTING LINE

Figure 12 - 16.

**i NOTE**

Remove the remaining cutting line on the spool.

**i NOTE**

Use only with the nylon cutting line of 0.065" (1.65 mm) diameter.

1. Cut a piece of cutting line approximately 3m long.
2. Bend one end of the line 1/4 of an inch (6.35mm) .
3. Insert the line into the anchor hole of the spool.
4. Wind the cutting line around the spool tightly in the indicated direction.
5. Put the cutting line in the guide slot.
6. Do not wind the cutting line beyond the edge of the spool.

## 11 TRANSPORTATION AND STORAGE

### 11.1 MOVE THE MACHINE

When you move the machine, you must:

- Wear gloves.
- Stop the machine.
- Remove the battery pack and charge it.
- Assemble the blade guard.

### 11.2 STORE THE MACHINE

- Remove the battery pack from the machine.
- Make sure that children cannot come near the machine.
- Keep the machine away from corrosive agents such as garden chemicals and de-icing salts.
- Secure the machine during transportation to prevent damage or injury. Clean and examine the machine for any damage.

## 12 TROUBLESHOOTING

Problem	Possible Cause	Solution
The machine does not start when you push the trigger.	No electrical contact between the machine and the battery pack.	1. Remove battery pack. 2. Check contact and install the battery pack again.
	The battery pack is depleted.	Charge the battery pack.
	The lock-out button and trigger are not pushed at the same time.	1. Pull the lock-out button and hold it. 2. Pull the trigger to start the machine.

Problem	Possible Cause	Solution
The machine stops when you cut.	The guard is not attached to the machine.	Remove the battery pack and attach the guard to the machine.
	Heavy cutting line is used.	Use only with the nylon cutting line of 0.065" (1.65 mm) diameter.
	The grass winds around the motor shaft or the trimmer head.	1. Stop the machine. 2. Remove the battery pack. 3. Remove the grass from the motor shaft and trimmer head.
	The motor is overloaded.	1. Remove the trimmer head from the grass. 2. The motor will recover to work as soon as the load is removed. 3. When you cut, move the trimmer head in and out of the grass to be cut and remove no more than 8" in pass.
	The battery pack or machine is too hot.	1. Cool the battery pack until its function returns to normal. 2. Cool the machine for approximately 10 minutes.
	The battery pack is disconnected from the tool. The battery pack is depleted.	Install the battery pack again. Charge the battery pack.
The line does not advance.	Lines are welded to themselves.	Lubricate with silicone spray.
	Not enough line on spool.	Install more line.
	Lines are worn too short.	Advance the cutting line.
	Lines are tangled on spool.	1. Remove the lines from the spool. 2. Wind the lines.

Problem	Possible Cause	Solution
The line keeps breaking.	The machine is used incorrectly.	1. Cut with the tip of the line, avoid stones, walls and other hard objects. 2. Advance the cutting line regularly to keep full cutting width.
The grass winds around the trimmer head and motor housing.	Cut tall grass at ground level.	1. Cut tall grass from the top down. 2. Remove no more than 8" in each pass to prevent wrapping.
The line does not cut well.	The cut-off blade becomes dull.	Sharpen the cut-off blade with a file or replace it.
Vibration increases obviously.	The line is worn down at one side and not advanced in time.	Make sure that the line on both sides is normal. Advance the line.

### 13 TECHNICAL DATA

Voltage	24 V
No load speed	9000 - 10000 RPM
Cutting head	Automatic feed
Cutting line diameter	0.065" (1.65 mm)
Cutting path diameter	10/ 12 in. (254mm/305mm)
Weight (without battery pack)	3.13 kg
Measured sound pressure level	$L_{PA}=82 \text{ dB(A)}$ , $K_{PA}= 3 \text{ dB(A)}$
Guaranteed sound power level	$L_{WA,d}= 96 \text{ dB(A)}$
Vibration	$2 \text{ m/s}^2$ , $k=1.5 \text{ m/s}^2$
Battery model	29807 / 29837 / 2926707 and other BAG series
Charger model	29817/29827 and other CAG series



Noise value.

### 14 WARRANTY

(The full warranty terms and conditions can be found on Greenworks webpage)

The Greenworks warranty is 4 years on the product, and 2 years on batteries (consumer/private usage) from the date of purchase. This warranty covers manufacturing faults. A faulty product under warranty might be either repaired or replaced. A unit that has been misused or used in other ways than described in the owner's manual might be rejected for warranty. Normal wear, and wear parts are not considered as warranty. The original manufacturer warranty is not affected by any additional warranty offered by a dealer or retailer.

A faulty product must be returned to the point of purchase in order to claim for warranty, together with the proof of purchase (receipt).