

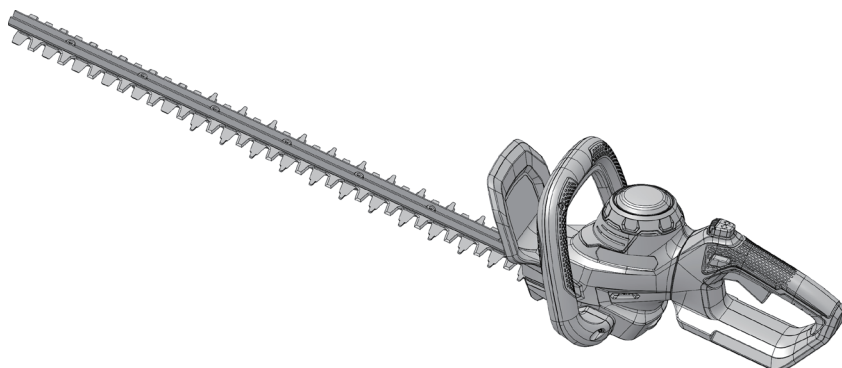
greenworks

2200907AU

EN

HEDGE TRIMMER

OPERATOR MANUAL

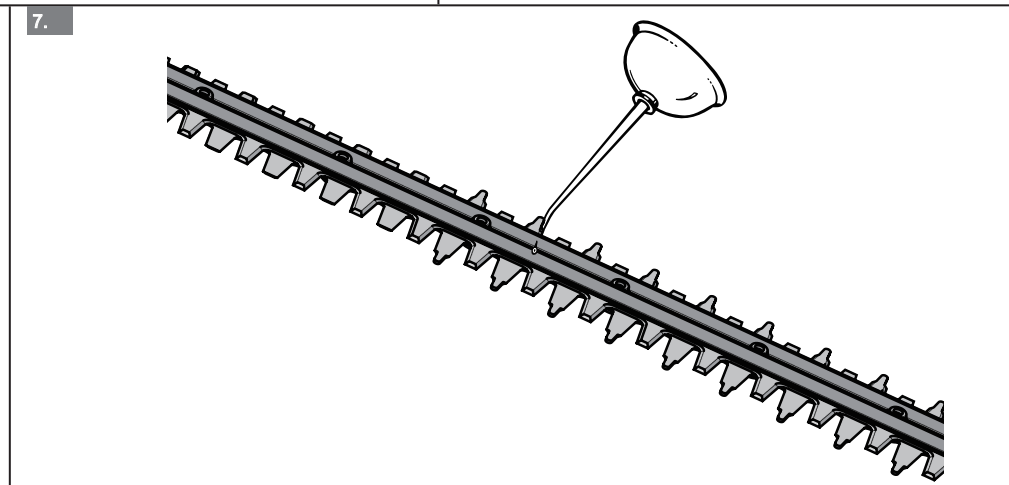
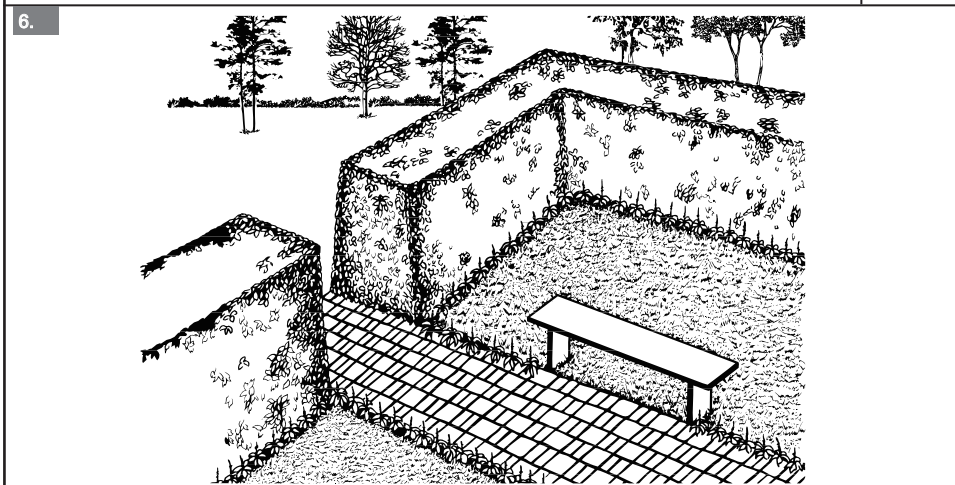
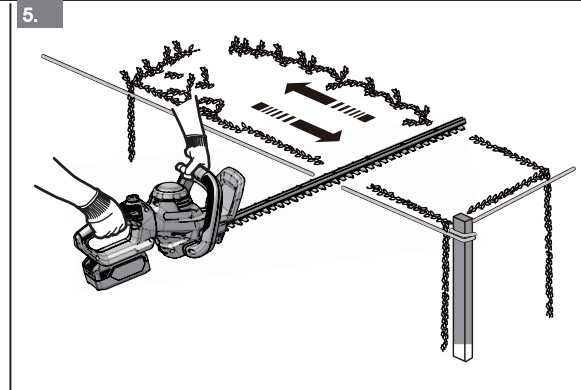
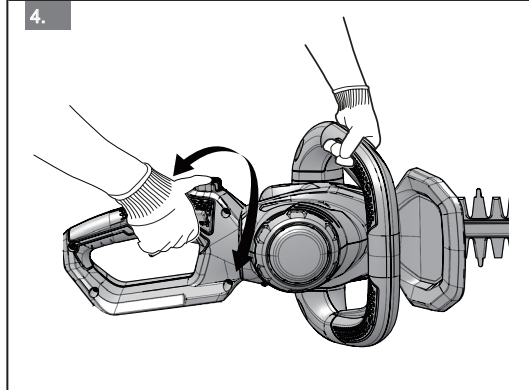
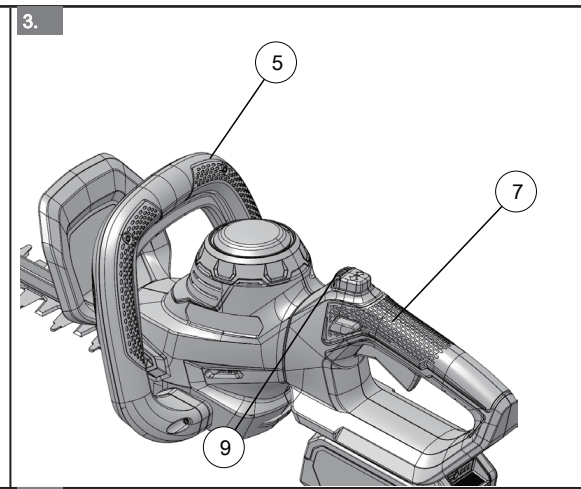
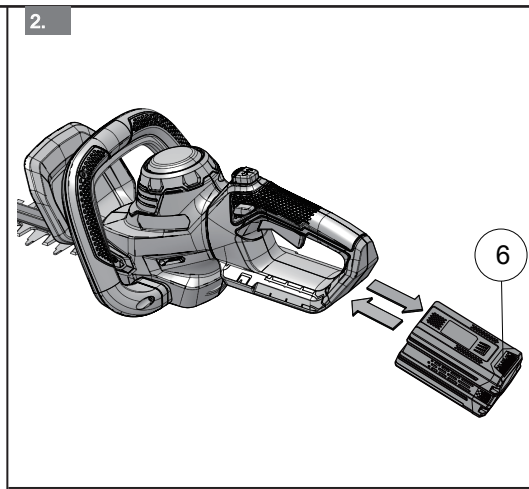
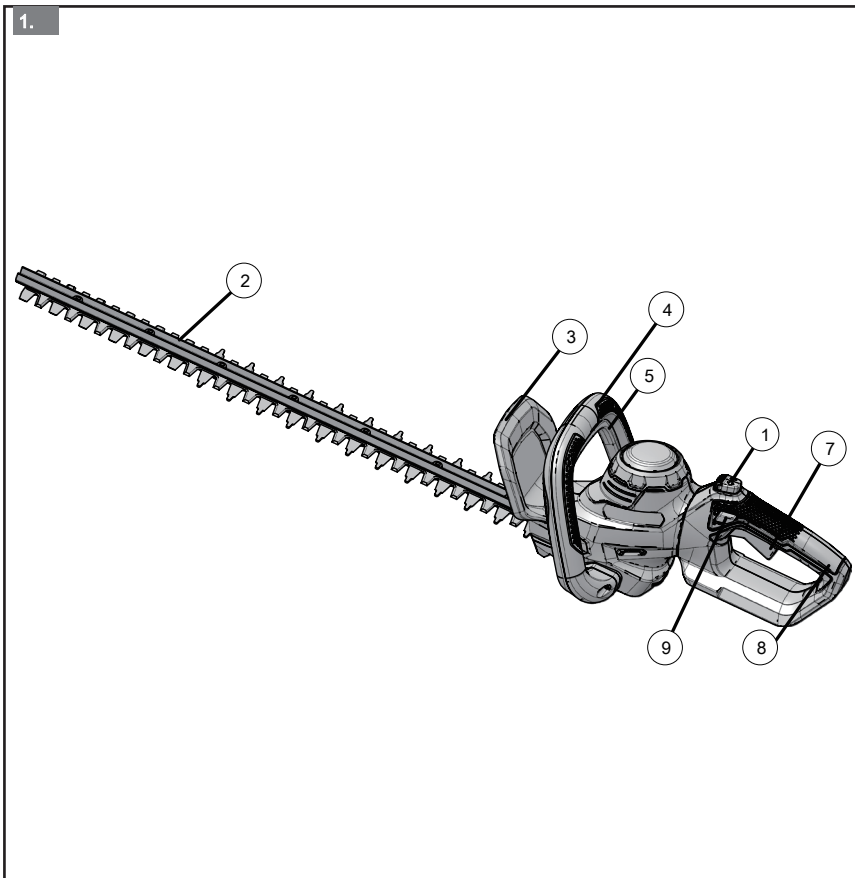


E8038

HTF313

Greenworks Australia
A Division Jak Max P/L
380 Foley's Road Derrimut
Victoria, Australia 3026

www.greenworksaustralia.com



1	Description.....	2	7	Recycle.....	4
1.1	Purpose.....	2	8	Installation.....	4
1.2	Overview.....	2	8.1	Unpack the machine.....	4
2	Introduction.....	2	9	Operation.....	4
2.1	Intended use.....	2	9.1	Start the machine.....	4
3	General power tool safety		9.2	Stop the machine.....	5
	warnings.....	2	9.3	Turn the rear handle.....	5
3.1	Work area safety.....	2	9.4	Operation tips.....	5
3.2	Electrical safety.....	2	10	Maintenance.....	5
3.3	Personal safety.....	2	10.1	Clean the machine.....	5
3.4	Power tool use and care.....	2	10.2	Lubricate the blade.....	5
3.5	Battery tool use and care.....	3	11	Store the machine.....	5
3.6	Service.....	3	12	Troubleshooting.....	5
4	Hedge trimmer safety warnings.....	3	13	Technical data.....	6
5	Symbols on the product.....	3	14	Warranty.....	6
6	Risk levels.....	3			

1 DESCRIPTION

1.1 PURPOSE

This machine is intended for cutting and trimming hedges and bushes in domestic use. It is not intended to be used for cutting above shoulder level.

1.2 OVERVIEW

Figure 1

1 Rotating button	6 Battery release button
2 Blade	7 Trigger
3 Guard	8 Rear handle
4 Front handle	9 safety lock button
5 Micro switch	

2 INTRODUCTION

Your product has been engineered and manufactured to high standards for dependability, ease of operation, and operator safety. When properly cared for, it will give you years of rugged, trouble-free performance.

2.1 INTENDED USE

This hedge trimmer is intended for cutting and trimming hedges and bushes in domestic use. It is not intended to be used for cutting above shoulder level.

3 GENERAL POWER TOOL SAFETY WARNINGS

▲ WARNING

Read all safety warnings and all instructions. *Failure to follow the warnings and instructions may result in electric shock, fire and/or serious injury.*

Save all warnings and instructions for future reference.

The term "power tool" in the warnings refers to your battery-operated (cordless) power tool.

3.1 WORK AREA SAFETY

- **Keep work area clean and well lit.** *Cluttered or dark areas invite accidents.*
- **Do not operate power tools in explosive atmospheres, such as in the presence of flammable liquids, gases or dust.** *Power tools create sparks which may ignite the dust or fumes.*
- **Keep children and bystanders away while operating a power tool.** *Distractions can cause you to lose control.*

3.2 ELECTRICAL SAFETY

- **Do not expose power tools to rain or wet conditions.** *Water entering a power tool will increase the risk of electric shock.*

3.3 PERSONAL SAFETY

- **Stay alert, watch what you are doing and use common sense when operating a power tool. Do not use a power tool while you are tired or under the influence of drugs, alcohol or medication.** *A lapse of attention while operating power tools may result in serious personal injury.*
- **Use personal protection. Always wear eye protection.** *Protective products such as dust mask, non-skid safety shoes, hard hat or hearing protection used appropriately will reduce personal injuries.*
- **Prevent unintentional starting. Ensure the switch is in the off position before connecting to power source and/or battery pack and when picking up or carrying the tool.** *Carrying power tools with your finger on the switch or energizing power tools that have the switch on invites accidents.*
- **Remove any adjusting key or wrench before turning the power tool on.** *A wrench or a key left attached to a rotating part of the power tool may result in personal injury.*
- **Do not over-reach. Keep proper footing and balance at all times.** *This enables better control of the power tool in unexpected situations.*
- **Dress properly. Do not wear loose clothing or jewellery. Keep your hair, clothing and gloves away from moving parts.** *Loose clothes, jewellery or long hair can be caught in moving parts.*
- **If devices are provided for the connection of dust extraction and collection facilities, ensure these are connected and properly used.** *Use of dust collection can reduce dust related hazards.*
- **Do not let familiarity gained from frequent use of tools allow you to become complacent and ignore tool safety principles.** *A careless action can cause severe injury within a fraction of a second.*









3.4 POWER TOOL USE AND CARE

- **Do not force the power tool. Use the correct power tool for your application.** *The correct power tool will do the job better and safer at the rate for which it was designed.*
- **Do not use the power tool if the switch does not turn it on and off.** *Any power tool that cannot be controlled with the switch is dangerous and must be repaired.*
- **Disconnect the plug from the power source and/or the battery pack from the power tool before making any adjustments, changing accessories, or storing power tools.** *Such preventive safety measures reduce the risk of starting the power tool accidentally.*

- **Store idle power tools out of the reach of children and do not allow persons unfamiliar with the power tool or these instructions to operate the power tool.** *Power tools are dangerous in the hands of untrained users.*
- **Maintain power tools. Check for misalignment or binding of moving parts, breakage of parts and any other condition that may affect the power tool's operation. If damaged, have the power tool repaired before use.** *Many accidents are caused by poorly maintained power tools.*
- **Keep cutting tools sharp and clean.** *Properly maintained cutting tools with sharp cutting edges are less likely to bind and are easier to control.*
- **Use the power tool, accessories and tool bits etc. in accordance with these instructions, taking into account the working conditions and the work to be performed.** *Use of the power tool for operations different from those intended could result in a hazardous situation.*
- **Hold the power tool by insulated gripping surfaces only, because the cutter blade may contact hidden wiring. Cutter blades contacting a "live" wire may make exposed metal parts of the power tool "live" and could give the operator an electric shock.**
- **Keep cable away from cutting area.** *During operation the cable may be hidden in shrubs and can be accidentally cut by the blade.*

5 SYMBOLS ON THE PRODUCT

Some of the following symbols may be used on this product. Please study them and learn their meaning. Proper interpretation of these symbols will allow you to operate the product better and safer.

Symbol	Explanation
	Precautions that involve your safety.
	Read and understand all instructions before operating the product, and follow all warnings and safety instructions.
	Wear eye and ear protection.
	Thrown objects can ricochet and result in personal injury or property damage. Wear protective clothing and boots.
	Wear non-slip, heavy duty gloves.
	Keep all bystanders at least 15m away.
	Do not expose the product to rain or moist conditions.
	Danger – keep hands and feet away from blade.

3.5 BATTERY TOOL USE AND CARE

- **Recharge only with the charger specified by the manufacturer.** *A charger that is suitable for one type of battery pack may create a risk of fire when used with another battery pack.*
- **Use power tools only with specifically designated battery packs.** *Use of any other battery packs may create a risk of injury and fire.*
- **When battery pack is not in use, keep it away from other metal objects like paper clips, coins, keys, nails, screws, or other small metal objects that can make a connection from one terminal to another.** *Shorting the battery terminals together may cause burns or fire.*
- **Under abusive conditions, liquid may be ejected from the battery; avoid contact. If contact accidentally occurs, flush with plenty of soap and water. If liquid contacts eyes, immediately seek medical help.** *Liquid ejected from the battery may cause irritation or burns.*

3.6 SERVICE


- **Have your power tool serviced by a qualified repair person using only identical replacement parts.** *This will ensure that the safety of the power tool is maintained.*



4 HEDGE TRIMMER SAFETY WARNINGS

- **Keep all parts of the body away from the cutter blade. Do not remove cut material or hold material to be cut when blades are moving. Blades coast after turn off. Make sure the switch is off when clearing jammed material.** *A moment of inattention while operating the hedge trimmer may result in serious personal injury.*
- **Carry the hedge trimmer by the handle with the cutter blade stopped. When transporting or storing the hedge trimmer always fit the cutting device cover.** *Proper handling of the hedge trimmer will reduce possible personal injury from the cutter blades.*




6 RISK LEVELS

The following signal words and meanings are intended to explain the levels of risk associated with this product.

SYM-BOL	SIGNAL	MEANING
	DANGER	Indicates an imminently hazardous situation, which, if not avoided, will result in death or serious injury.

SYMBOL	SIGNAL	MEANING
	WARNING	Indicates a potentially hazardous situation, which, if not avoided, could result in death or serious injury.
	CAUTION	Indicates a potentially hazardous situation, which, if not avoided, may result in minor or moderate injury.
	CAUTION	(Without Safety Alert Symbol) Indicates a situation that may result in property damage.

7 RECYCLE

	Separate collection. You must not discard with usual household waste. If it is necessary to replace the machine, or if it is no more use to you, do not discard it with household waste. Make this machine available for separate collection.
	Separate collection of used machine and packaging let you recycle materials and use them again. Use of the recycled materials helps prevent environmental pollution and decreases the requirements for raw materials.
Batteries  Li-ion	At the end of their useful life, discard batteries with a precaution for our environment. The battery contains material that is dangerous to you and the environment. You must remove and discard these materials separately at a equipment that accepts lithium-ion batteries.

8 INSTALLATION

8.1 UNPACK THE MACHINE

▲ WARNING

It is not necessary to assemble the machine.

- If the parts have damage, do not use the machine.
- If you do not have all the parts, do not operate the machine.
- If the parts are damaged or missing, speak to the service center.

1. Open the package.
2. Read the documentation in the box.
3. Remove the machine from the box.

4. Discard the box and package in compliance with local regulations.

8.1.1 INSTALL THE BATTERY PACK

Figure 2

▲ WARNING

- If the battery pack or charger is damaged, replace the battery pack or the charger.
- Stop the machine and wait until the motor stops before you install or remove the battery pack.
- Read, know, and do the instructions in the battery and charger manual.

1. Align the lift ribs on the battery pack with the grooves in the battery compartment.
2. Push the battery pack into the battery compartment until the battery pack locks into place.
3. When you hear a click, the battery pack is installed.

8.1.2 REMOVE THE BATTERY PACK

Figure 2

1. Push and hold the battery release button.
2. Remove the battery pack from the machine.

9 OPERATION

- Touch the blade carefully.
- Do not put your fingers into the notches or in position where they can get cut.
- Do not touch the blade unless you remove the battery pack.
- Do not use the machine if the blade is damaged or bent.
- Remove all objects such as cords, lights, wire, or string which can become entangled in the cutting blade and create a risk of personal injury.

▲ WARNING

If the blade jams on an electrical cord or line, DO NOT TOUCH THE BLADE! IT CAN BE LIVE AND DANGEROUS. Do the steps below:

1. Hold the insulated rear handle or put the machine down and away from you.
2. Disconnect the electrically service to the damaged line or cord before you try to free the blade.

9.1 START THE MACHINE

Figure 3.

1. Push and hold the micro switch with one hand.
2. Push the trigger and the safety lock button with the other hand.
3. Release the safety lock button.

▲ WARNING

Hold the machine with two hands during operation.

9.2 STOP THE MACHINE

Figure 3.

1. Release the trigger to stop the machine.

9.3 TURN THE REAR HANDLE

Figure 4.

You can use the rotating button to adjust the rear handle to different positions to cut the hedges easier.

1. Pull the rotating button and turn the rear handle.
2. Release the rotating button until it locks into position.

9.4 OPERATION TIPS

- Do not push the machine through heavy shrubbery. This can cause the blade blockage. If the blades block,
 1. stop the machine.
 2. remove the battery pack.
 3. remove the blockage.
- Do not try to cut too large stems or twigs.
- Wear the gloves when you cut.
- Cut the new growth with a wide sweeping action so that the stems are put directly into the blade.
- You can use a string to adjust the height of the hedge.
 1. Stretch a piece of string along the hedge at this height.
 2. Cut the hedge immediately above this string.
 3. Cut the side of a hedge until it will be narrower at the top. More of the hedge will come into view in that way.

10 MAINTENANCE**▲ CAUTION**

Do not let brake fluids, gasoline, petroleum-based materials touch the plastic parts. Chemicals can cause damage to the plastic, and make the plastic unserviceable.

▲ CAUTION

Do not use strong solvents or detergents on the plastic housing or components.

▲ WARNING

Remove the battery pack from the machine before maintenance.

10.1 CLEAN THE MACHINE**▲ WARNING**

Keep the machine and the motor free of leaves, branches or excessive oil to prevent fire risks.

- Use a moist cloth with a mild detergent to clean the machine.
- Clean all moisture with a soft dry cloth.
- Use a small brush to clean the air vents.

10.2 LUBRICATE THE BLADE

To increase the efficiency and life of the blades, lubricate them carefully after each work session:

- Put the machine on a flat and smooth surface.
- Use a soft cloth to clean the blades and a brush to remove more dirt.
- Use a light layer of oil to lubricate the blades along the top edge of the blade.

i NOTE

We recommend to use the non-pollutant type oil.

11 STORE THE MACHINE**i NOTE**

Clean the machine before storage.

1. Remove the battery pack.
2. Let the motor cool.
3. Check that there are no loose or damaged components. If it is necessary, replace the damaged components, tighten screws and bolts, or speak to a person of an approved service center.
4. Store the machine in a cool and dry location.

12 TROUBLESHOOTING

Problem	Possible cause	Solution
The motor does not start when you pull the trigger.	The battery pack is not installed tightly.	Make sure that you tightly install the battery pack in the machine.
	The battery pack is out of power.	Charge the battery pack.
The machine smokes during operation.	The machine has damage.	<ol style="list-style-type: none"> 1. Immediately stop the machine. 2. Remove the battery pack. 3. Speak to service center.

Problem	Possible cause	Solution
The motor is on, blades do not move.	The machine has damage.	Do not use the machine and speak to service center.
	The blades are blocked.	Remove battery pack then clear blockage from the blades.
There is too much noise and/or vibration during operation.	The parts are loosened.	<ol style="list-style-type: none"> 1. Stop the machine. 2. Remove the battery. 3. Inspect for damage. 4. Check and tighten loose parts.
	The parts have damage.	Do not use the machine and speak to service center.

A faulty product must be returned to the point of purchase in order to claim for warranty, together with the proof of purchase (receipt).

13 TECHNICAL DATA

Voltage	40V
No load speed	2800 (±10%) /min
Blade speed	2800(±10%) / min
Blade length	610 mm
Cutting capacity	27 mm
Weight (without battery pack)	2.7 kg
Measured sound pressure level	78.6 dB(A), K _{PA} =3 dB(A)
Guaranteed sound power level	100 dB(A)
Vibration	<2.5 m/s ²
Uncertainty	1.5 m/s ²

14 WARRANTY

(The full warranty terms and conditions can be found on Greenworks webpage)

The Greenworks warranty is 4 years on the product, and 2 years on batteries (consumer/private usage) from the date of purchase. This warranty covers manufacturing faults. A faulty product under warranty might be either repaired or replaced. A unit that has been misused or used in other ways than described in the owner's manual might be rejected for warranty. Normal wear, and wear parts are not considered as warranty. The original manufacturer warranty is not affected by any additional warranty offered by a dealer or retailer.