

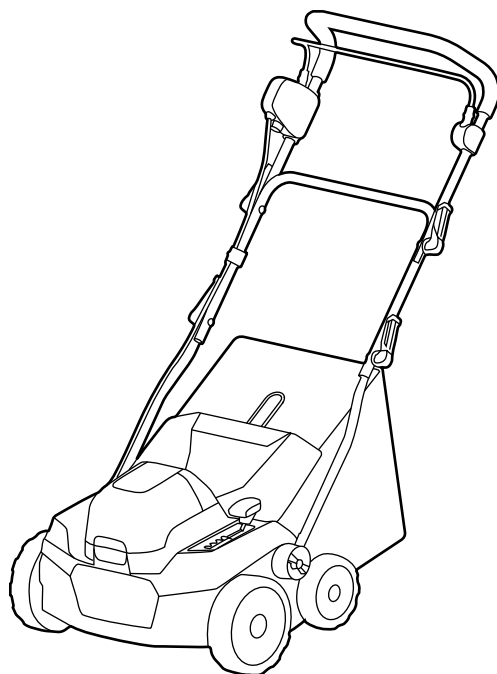
greenworks®

GD40SC38II
2518407AU

EN

DETHATCHER/SCARIFIER

OPERATOR MANUAL



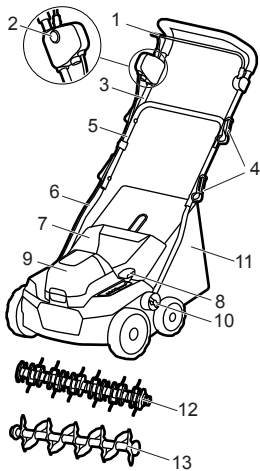
E8038

DHF410

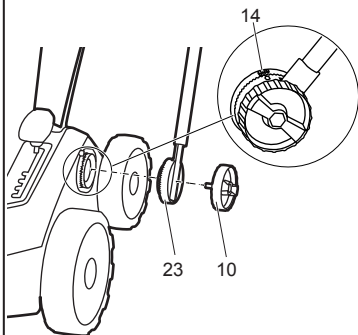
Greenworks Australia
A Division Jak Max P/L
380 Foley's Road Derrimut
Victoria, Australia 3026

www.greenworksaustralia.com

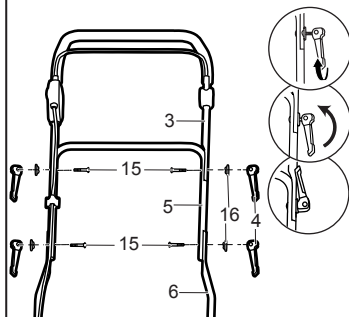
1.



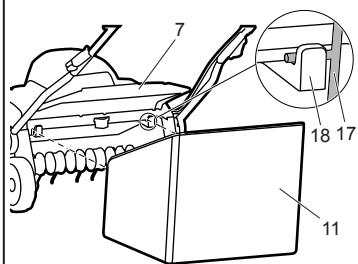
2.



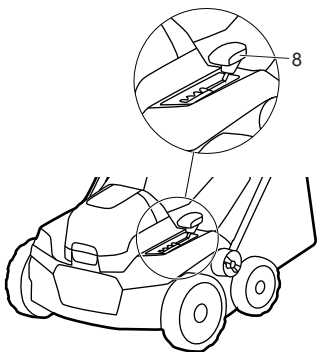
3.



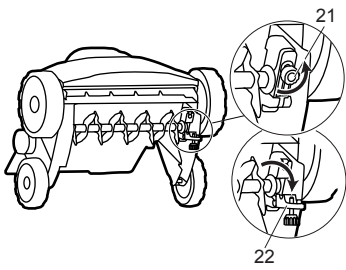
4.



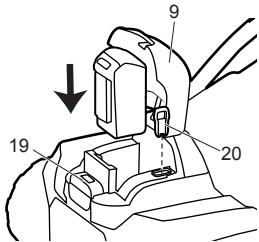
5.



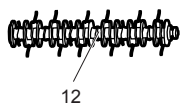
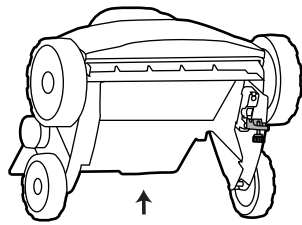
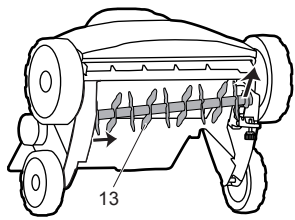
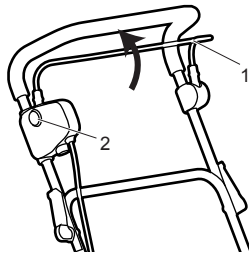
8.



6.



7.



1	Description.....	2	6.4	Install the collecting box.....	5
1.1	Purpose.....	2	6.5	Adjust working height.....	5
1.2	Overview.....	2	6.6	Install the battery pack.....	5
2	General safety warnings.....	2	6.7	Remove the battery pack.....	6
2.1	Training.....	2	7	Operation.....	6
2.2	Preparation.....	2	7.1	Start the machine.....	6
2.3	Operation.....	2	7.2	Stop the machine.....	6
2.4	Maintenance.....	3	7.3	Empty the collecting box.....	6
3	Symbol.....	4	8	Maintenance.....	6
4	Risk levels.....	4	8.1	General maintenance.....	6
5	Recycle.....	4	8.2	Replace the cylinder.....	6
6	Installation.....	5	8.3	Store the machine.....	7
6.1	Unpack the machine.....	5	9	Troubleshooting.....	7
6.2	Install the lower handle.....	5	10	Technical data.....	8
6.3	Install the upper handle	5	11	Warranty.....	8

1 DESCRIPTION

1.1 PURPOSE

The basic version of the machine is a scarifier intended for use in gardening environments. The blade cylinder is designed for ripping moss and weeds - complete with their roots - out of the soil and for loosening the soil.

With the additional tine cylinder, the machine can be converted to a lawn dethatcher in just a few steps. When used as a dethatcher, the machine is primarily used to remove thatch from small-scale, residential lawns and home/hobby gardens.

1.2 OVERVIEW

Figure 1-8

1	Power lever	12	Tine cylinder
2	Start button	13	Blade cylinder
3	Upper handle	14	Handle positions
4	Quick-release lever	15	Bolt
5	Middle handle	16	Lever nut
6	Lower handle	17	Collecting box suspension
7	Rear discharge flap	18	Hook
8	Height adjustment lever	19	Cover opening button
9	Battery slot cover	20	Safety key
10	Handle knob	21	Screw
11	Collecting box	22	Cylinder fixation
		23	Handle fixation

2 GENERAL SAFETY WARNINGS

WARNING

Read all safety warnings, instructions, illustrations and specifications provided with this machine. Failure to follow all instructions listed below may result in electric shock, fire and/or serious injury.

Save all warnings and instructions for future reference.

The term "power tool" in the warnings refers to your mains-operated (corded) power tool or battery-operated (cordless) power tool.

2.1 TRAINING

- Read the instructions carefully. Be familiar with the controls and the correct use of the machine.
- Never allow children, persons with reduced physical, sensory or mental

capabilities or lack of experience and knowledge or people unfamiliar with these instructions to use the machine. Local regulations can restrict the age of the operator.

- Keep in mind that the operator or user is responsible for accidents or hazards occurring to other people or their property.

2.2 PREPARATION

- Wear ear protection and safety glasses at all times while operating the machine.
- While operating the machine always wear substantial footwear and long trousers. Do not operate the machine when barefoot or wearing open sandals. Avoid wearing clothing that is loose fitting or that has hanging cords or ties.
- Thoroughly inspect the area where the machine is to be used and remove all objects which can be thrown by the machine.
- Operate the machine in a recommended position and only on a firm, level surface.
- Do not operate the machine on a paved or gravel surface where ejected material could cause injury.
- Before starting the machine, check that all screws, nuts, bolts, and other fasteners are properly secured and that guards and screens in place. Replace damaged or unreadable labels.
- Never operate the machine while people, especially children, or pets are nearby.

2.3 OPERATION

- Use the machine only in daylight or good artificial light.

- Avoid operating the machine in wet grass.
- Always be sure of your footing on slopes.
- Walk, never run.
- Work across the face of slopes, never up and down.
- Exercise extreme caution when changing direction on slopes.
- Do not work excessively steep slopes.
- Use extreme caution when reversing or pulling the machine towards you.
- Stop the blade(s) if the machine has to be tilted for transportation when crossing surfaces other than grass, and when transporting the machine to and from the area to be used.
- Never operate the machine with defective guards or shields, or without safety devices, for example deflectors and/ or grass collector, in place.
- Switch on the motor carefully according to instructions and with feet well away from the blade(s).
- Do not tilt machine when switching on the motor, except if the machine has to be tilted for starting. In this case, do not tilt it more than absolutely necessary and lift only the part which is away from the operator. Always ensure that both hands are in the operating position before returning the machine to the ground.
- Do not start the machine when standing in front of the discharge opening.
- Do not put hands or feet near or under rotating parts. Keep clear of the discharge opening at all times.
- Do not transport the machine while the power source is running.
- Stop the machine, remove the disabling device and battery pack. Make sure that all moving parts have come to a complete stop
 - whenever you leave the machine;
 - before clearing blockages or unclogging chute;
 - before checking, cleaning or working on the machine;
 - after striking a foreign object. Inspect the machine for damage and make repairs before restarting and operating the machine; if the machine starts to vibrate abnormally (check immediately);
 - inspect for damage;
 - replace or repair any damaged parts;
 - check for and tighten any loose parts.





2.4 MAINTENANCE





- Keep all nuts, bolts and screws tight to be sure the machine is in safe working condition.
- Check the grass collector frequently for wear or deterioration.
- On machines with multi blade, take care as rotating one blade can cause other blades to rotate.
- Be careful during adjustment of the machine to prevent entrapment of the fingers between moving blades and fixed parts of the machine.
- Always allow the machine to cool down before storing.
- When servicing the blades be aware that, even though the power source is switched off, the blades can still be moved.

- Replace worn or damaged parts for safety. Use only genuine replacement parts and accessories.
- When the machine is stopped for servicing, inspection, or storage, or to change an accessory, remove battery pack, and make sure that all moving parts are come to a complete stop. Allow the machine to cool before making any inspections, adjustments, etc. Maintain the machine with care and keep it clean.
- Store the machine out of the reach of children.
- For appliances with **type Y attachment**, the instructions shall contain the substance of the following: If the supply cord is damaged, it must be replaced by the manufacturer, its service agent or similarly qualified persons in order to avoid a hazard.

3 SYMBOL




Some of the following symbols may be used on this product. Please study them and learn their meaning. Proper interpretation of these symbols will allow you to operate the product better and safer.

Symbol	Explanation
	Precautions that involve your safety.
	Read operator's manual.
	Keep bystanders away.
	Do not expose machine to rain or wet conditions.


Symbol	Explanation
	Beware of sharp blades. Blades continue to rotate after the motor is switched off. Remove disabling device before maintenance.
	Wear eye and ear protection.
	Wear protective gloves.
	Beware of electric shock hazard.

4 RISK LEVELS

The following signal words and meanings are intended to explain the levels of risk associated with this product.

SYMBOL	SIGNAL	MEANING
	DANGER	Indicates an imminently hazardous situation, which, if not avoided, will result in death or serious injury.
	WARNING	Indicates a potentially hazardous situation, which, if not avoided, could result in death or serious injury.
	CAUTION	Indicates a potentially hazardous situation, which, if not avoided, may result in minor or moderate injury.
	CAUTION	(Without Safety Alert Symbol) Indicates a situation that may result in property damage.

5 RECYCLE

	Separate collection. You must not discard with usual household waste. If it is necessary to replace the machine, or if it is no more use to you, do not discard it with household waste.
---	--



Separate collection of used machine and packaging let you recycle materials and use them again. Use of the recycled materials helps prevent environmental pollution and decreases the requirements for raw materials.



At the end of their useful life, discard batteries with a precaution for our environment. The battery contains material that is dangerous to you and the environment. You must remove and discard these materials separately at a location that accepts lithium-ion batteries.

6 INSTALLATION

WARNING

Do not use accessories that are not recommended by the manufacturer.

WARNING

Do not put in the safety key or the battery pack until you finalised the assembly of all the parts.

6.1 UNPACK THE MACHINE

WARNING

Make sure that you correctly assemble the machine before use.

WARNING

- If parts of the machine are damaged, do not use the machine.
- If you do not have all the parts, do not operate the machine.
- If parts are damaged or missing, contact the service center.

1. Open the package.
2. Read the documentation provided in the box.
3. Remove all the unassembled parts from the box.
4. Remove the machine from the box.
5. Discard the box and packing material in compliance with local regulations.

WARNING

For your personal safety, do not insert battery before the tool is assembled completely.

6.2 INSTALL THE LOWER HANDLE

Figure 2

1. Attach the handle fixations to the sides of the machine.
2. Put the bolts of the handle knobs through the fixations.
3. Turn the handle knobs clockwise to tighten the lower handle.
4. Adjust the lower handle in one of the three positions.

NOTE

Make sure that the two handle knobs are in the same position.

WARNING

Do not make damage to the cables when you fold or unfold the handle.

6.3 INSTALL THE UPPER HANDLE

Figure 3

1. Align the holes in the upper handle, the middle handle and the lower handle.
2. Put the bolts through the holes and lever nuts.
3. Tighten the quick-release levers onto the bolts.
4. Do the same operation on the other side.

6.4 INSTALL THE COLLECTING BOX

Figure 4

1. Open the rear discharge flap and hold it.
2. Hold the collecting box by its handle and put the collecting box suspensions over the hooks.
3. Close the rear discharge flap.

6.5 ADJUST WORKING HEIGHT

The machine can be set to different working height.

Figure 5

1. Pull the height adjustment lever forwards to increase the working height.
2. Pull the height adjustment lever backwards to decrease the working height.

6.6 INSTALL THE BATTERY PACK

Figure 6

⚠ WARNING

- If the battery pack or charger is damaged, replace the battery pack or the charger.
- Stop the machine and wait until the engine stops before you install or remove the battery pack.
- Read, know, and follow the instructions in the battery and charger manual.

1. Press the cover opening button to open the battery slot cover.
2. Align the lift ribs on the battery pack with the grooves in the battery slot.
3. Push the battery pack into the battery slot until the battery pack locks into place.
4. When you hear a click, the battery pack is installed.
5. Close the battery slot cover.

i NOTE

The engine starts only when you put in the safety key.

6.7 REMOVE THE BATTERY PACK

Figure 6

1. Open the battery slot cover.
2. Remove the safety key.
3. Push and hold the battery release button.
4. Remove the battery pack from the machine.

7 OPERATION**⚠ WARNING**

Wear eye protection during operation.

7.1 START THE MACHINE

Figure 7

1. Put in the safety key and battery.
2. Push and hold the start button.
3. While you hold the start button, pull the power lever in the direction of the handle bar.
4. Release the start button to start the machine.

7.2 STOP THE MACHINE

Figure 7

1. Release the power lever to stop the machine.

⚠ WARNING

Wait until the blades fully stop before you start the machine again. Do not quickly turn the machine off and on.

⚠ WARNING

Always remove the safety key and battery pack after you complete the work.

7.3 EMPTY THE COLLECTING BOX

1. Stop the machine.
2. Remove the safety key.
3. Remove the battery pack.
4. Open the rear discharge flap and hold it.
5. Hold the collecting box by its handle and unhook it from the hooks.
6. Close the rear discharge flap.
7. Empty the collecting box.

8 MAINTENANCE**⚠ WARNING**

Remove the safety key and battery pack from the machine before maintenance.

⚠ WARNING

Keep the motor and battery pack free from grass, leaves or too much grease.

⚠ CAUTION

Use only approved replacement parts.

⚠ CAUTION

Do not let brake fluids, gasoline, petroleum-based materials touch the plastic parts. Chemicals can cause damage to the plastic and make the plastic unserviceable.

⚠ CAUTION

Do not use strong solvents or detergents on the plastic housing or components.

8.1 GENERAL MAINTENANCE

- Before each use, examine the machine for damaged, missing or loose parts such as screws, nuts, bolts and caps.
- Tighten correctly all the fasteners and caps.
- Clean the machine with a dry cloth. Do not use water.

8.2 REPLACE THE CYLINDER

Figure 8

⚠ WARNING

Use only approved replacement cylinder.

⚠ WARNING

Wear heavy gloves or wind cloth around the cylinder when you touch the cylinder.

1. Stop the machine.
2. Make sure that the cylinder fully stops.
3. Remove the safety key and battery pack.
4. Turn over the machine.
5. Untighten the screw to loosen the cylinder fixation.
6. Open up the cylinder fixation.
7. Lift one end of the cylinder and then pull the other end out from the drive shaft.
8. Remove the cylinder.
9. Insert one end of a new cylinder into the drive shaft and then place the other end into the cylinder fixation.
10. Lock down the cylinder fixation and tighten the screw to secure the cylinder.

8.3 STORE THE MACHINE

- Remove the safety key.
- Remove the battery pack(s).
- Clean the machine before storage.
- Make sure the motor is not hot when you store the machine.
- Make sure that the machine does not have loose or damaged parts. If it is necessary, follow these instructions:
 - Replace the damaged parts.
 - Tighten the bolts.
 - Speak to a person at an approved service center.
- Store the machine in a dry area.
- Make sure that children cannot come near the machine.

9 TROUBLESHOOTING

PROBLEM	POSSIBLE CAUSE	SOLUTION
Abnormal noise.	Foreign objects on the cylinder are hitting the dethatcher/scarifier.	Switch off the dethatcher/scarifier, wait until the cylinder has stopped rotating. Remove the foreign objects.

PROBLEM	POSSIBLE CAUSE	SOLUTION
Engine performance drops.	Soil is too firm.	Adjust working depth.
	Housing clogged.	Clean housing.
	Cylinder badly worn.	Replace the cylinder.
Imprecise scarifying/ dethatching result.	Cylinder worn.	Replace the cylinder.
	Wrong working depth.	Adjust working depth.
Motor will not start.	Battery is not secure.	Ensure that the battery is fully secured in the machine. Refer to Install the Battery section in this manual.
	Battery is not charged.	Charge the battery pack according to the instructions included with your model.
	Safety key is not in place.	Insert the safety key.
The dethatcher is hard to push.	Blocked by foreign objects.	Switch off the motor, wait until the tine cylinder comes to a complete stop. Remove the foreign objects. After approximately one minute, switch on the dethatcher/scarifier.
	The grass is too high.	Mow the lawn before dethatching/scarifying.
Motor is running, but cylinder is not rotating.	Belt torn.	Contact customer service.

* If you cannot find the solution to these problems, please contact the service center.

10 TECHNICAL DATA

Voltage	40 V
No load speed	3100 RPM
Working path	38 cm
Number of blades	16 Pcs
Scarifying depth	-12/-9/-6/-3/6 mm
Dethatching depth	-12/-9/-6/-3/6 mm
Weight (without battery pack)	12 Kg
Battery model	G40B4 and other BAF series
Charger model	2910907AU and other CAF series

11 WARRANTY

(The full warranty terms and conditions can be found on Greenworks website)

The Greenworks warranty is 4 years on the product, and 2 years on batteries and chargers (consumer/private usage) from the date of purchase. This warranty covers manufacturing faults. A faulty product under warranty might be either repaired or replaced. A unit that has been misused or used in other ways than described in the owner's manual might be rejected for warranty. Normal wear, and wear parts are not considered as warranty. The original manufacturer warranty is not affected by any additional warranty offered by a dealer or retailer.

A faulty product must be returned to the point of purchase in order to claim for warranty, together with the proof of purchase (receipt).

Our goods come with guarantees that cannot be excluded under the Australian Consumer Law. You are entitled to a replacement or refund for a major failure and compensation for any other reasonably foreseeable loss or damage. You are also entitled to have the goods repaired or replaced if the goods fail to be of acceptable quality and the failure does not amount to a major failure.

www.greenworksaustralia.com



greenworks

Rev B