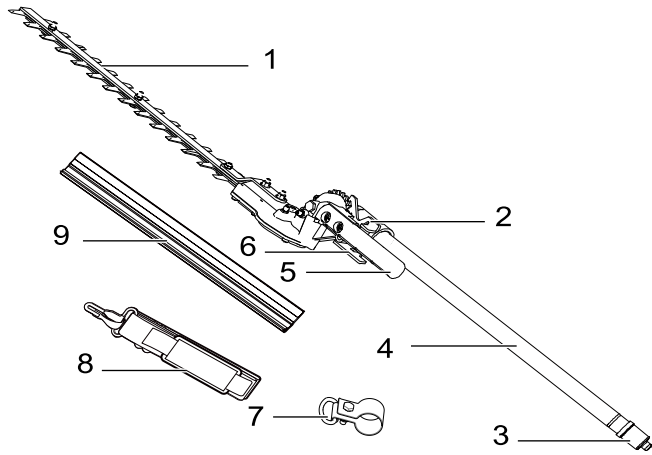
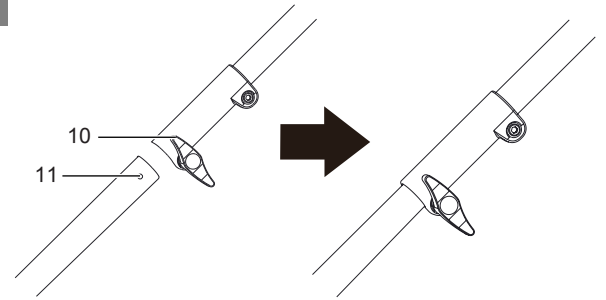


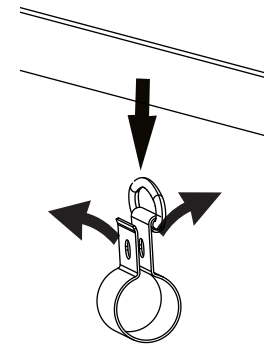
1.



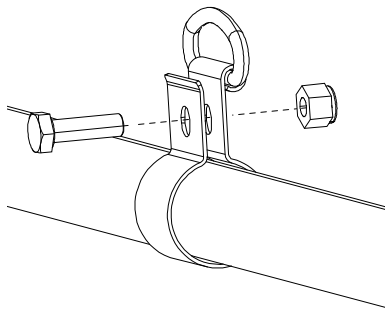
2.



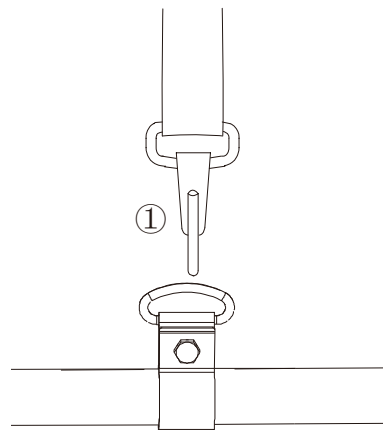
3.



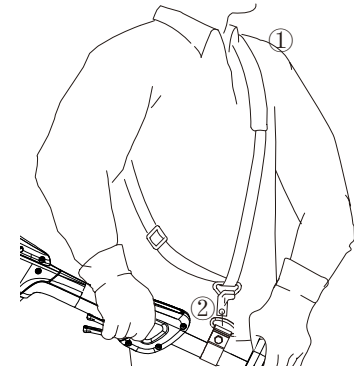
4.

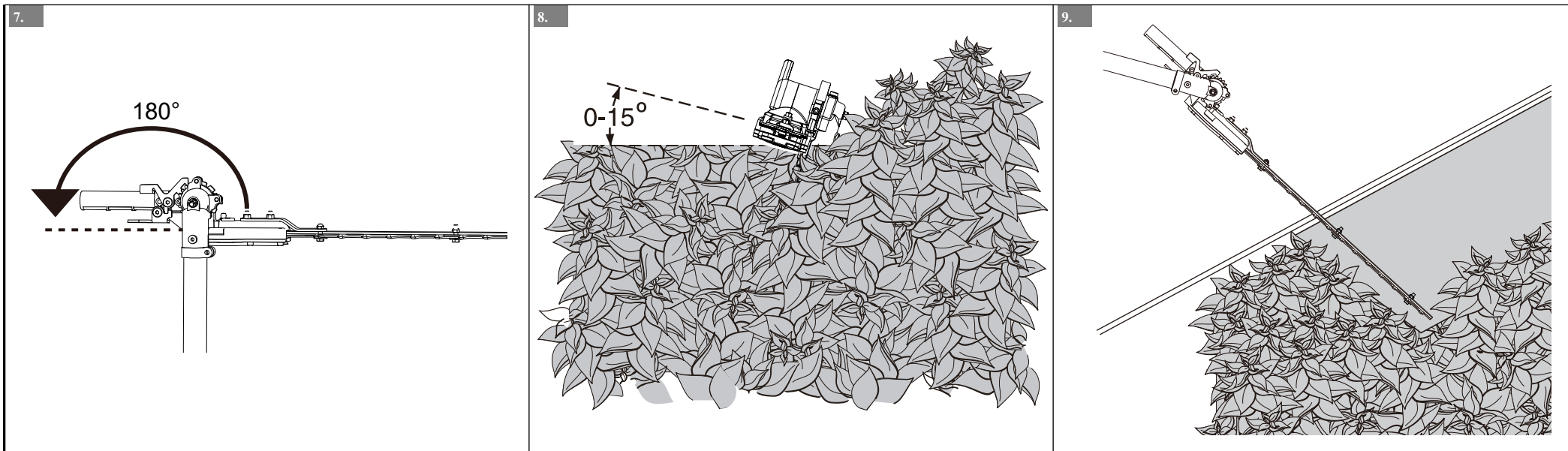


5.



6.





greenworks

2937107AU

EN

POLE HEDGE TRIMMER HEAD

OPERATOR MANUAL

P0803571-00 Rev B



E8038

PAC459

Greenworks Australia
A Division Jak Max P/L
380 Foley's Road Derrimut
Victoria, Australia 3026

www.greenworksaustralia.com

1	Description.....	2	4	Risk levels.....	4
1.1	Purpose.....	2	5	Recycle.....	5
1.2	Overview.....	2	6	Installation.....	5
2	General power tool safety		6.1	Unpack the machine.....	5
	warnings.....	2	7	Operation.....	5
2.1	Work area safety.....	2	7.1	Adjust the trimmer head angle.....	5
2.2	Electrical safety.....	2	7.2	Operation tips.....	5
2.3	Personal safety.....	2	8	Maintenance.....	6
2.4	Power tool use and care.....	3	8.1	Clean the machine.....	6
2.5	Battery tool use and care.....	3	8.2	Lubricate the blade.....	6
2.6	Service.....	3	9	Store the machine.....	6
2.7	Hedge trimmer safety warnings.....	3	10	Troubleshooting.....	6
2.8	Extended-reach hedge trimmer safety		11	Technical data.....	7
	warnings.....	4	12	Warranty.....	7
2.9	The recommended ambient temperature				
	range:.....	4			
3	Symbols on the product.....	4			

1 DESCRIPTION

1.1 PURPOSE

This machine is intended for cutting and trimming hedges and bushes in domestic use.

1.2 OVERVIEW

Figure 1

1	Blade	7	Carry ring
2	Pivoting button	8	Shoulder strap
3	Rubber protector	9	Scabard
4	Lower shaft	10	Knob
5	Auxiliary handle	11	Release button
6	Safety lock-out button		

2 GENERAL POWER TOOL SAFETY WARNINGS

▲ WARNING

Read all safety warnings, instructions, illustrations and specifications provided with this power tool. Failure to follow the warnings and instructions may result in electric shock, fire and/or serious injury.

Save all warnings and instructions for future reference.

The term "power tool" in the warnings refers to your mains-operated (corded) power tool or battery-operated (cordless) power tool.

2.1 WORK AREA SAFETY

- **Keep work area clean and well lit.** Cluttered or dark areas invite accidents.
- **Do not operate power tools in explosive atmospheres, such as in the presence of flammable liquids, gases or dust.** Power tools create sparks which may ignite the dust or fumes.
- **Keep children and bystanders away while operating a power tool.** Distractions can cause you to lose control.
- **To reduce the risk of electrocution, never use the power tool near any electrical power lines.** Contact with or use near power lines may cause serious injury or electric shock resulting in death.
- **Always use two hands when operating the power tool.** Hold the power tool with both hands to avoid loss of control.

2.2 ELECTRICAL SAFETY

- **Power tool plugs must match the outlet. Never modify the plug in any way. Do not use any adapter plugs with earthed (grounded) power tools.** Unmodified plugs and matching outlets will reduce risk of electric shock.

- **Avoid body contact with earthed or grounded surfaces, such as pipes, radiators, ranges and refrigerators.** There is an increased risk of electric shock if your body is earthed or grounded.
- **Do not expose power tools to rain or wet conditions.** Water entering a power tool will increase the risk of electric shock.
- **Do not abuse the cord. Never use the cord for carrying, pulling or unplugging the power tool. Keep cord away from heat, oil, sharp edges or moving parts.** Damaged or entangled cords increase the risk of electric shock.
- **When operating a power tool outdoors, use an extension cord suitable for outdoor use.** Use of a cord suitable for outdoor use reduces the risk of electric shock.
- **If operating a power tool in a damp location is unavoidable, use a RESIDUAL CURRENT DEVICE (RCD) protected supply.** Use of an RCD reduces the risk of electric shock.

2.3 PERSONAL SAFETY

- **Stay alert, watch what you are doing and use common sense when operating a power tool. Do not use a power tool while you are tired or under the influence of drugs, alcohol or medication.** A moment of inattention while operating power tools may result in serious personal injury.
- **Use personal protective equipment. Always wear eye protection.** Protective equipment such as a dust mask, non-skid safety shoes, hard hat or hearing protection used appropriately will reduce personal injuries.
- **Prevent unintentional starting. Ensure the switch is in the off position before connecting to power source and/or battery pack and when picking up or carrying the tool.** Carrying power tools with your finger on the switch or energizing power tools that have the switch on invites accidents.
- **Remove any adjusting key or wrench before turning the power tool on.** A wrench or a key left attached to a rotating part of the power tool may result in personal injury.
- **Do not over-reach. Keep proper footing and balance at all times.** This enables better control of the power tool in unexpected situations.
- **If devices are provided for the connection of dust extraction and collection facilities, ensure these are connected and properly used.** Use of dust collection can reduce dust-related hazards.
- **Dress properly. Do not wear loose clothing or jewelry. Keep your hair, clothing and gloves away from moving parts.** Loose clothes, jewelry or long hair can be caught in moving parts.
- **If devices are provided for the connection of dust extraction and collection facilities, ensure these are connected and properly used.** Use of dust collection can reduce dust related hazards.

- **Do not let familiarity gained from frequent use of tools allow you to become complacent and ignore tool safety principles.** *A careless action can cause severe injury within a fraction of a second.*

2.4 POWER TOOL USE AND CARE

- **Do not force the power tool. Use the correct power tool for your application.** *The correct power tool will do the job better and safer at the rate for which it was designed.*
- **Do not use the power tool if the switch does not turn it on and off.** *Any power tool that cannot be controlled with the switch is dangerous and must be repaired.*
- **Disconnect the plug from the power source and/or remove the BATTERY pack, if detachable, from the power tool before making any adjustments, changing accessories, or storing power tools.** *Such preventive safety measures reduce the risk of starting the power tool accidentally.*
- **Store idle power tools out of the reach of children and do not allow persons unfamiliar with the power tool or these instructions to operate the power tool.** *Power tools are dangerous in the hands of untrained users.*
- **Maintain power tools and accessories. Check for misalignment or binding of moving parts, breakage of parts and any other condition that may affect the power tool's operation. If damaged, have the power tool repaired before use.** *Many accidents are caused by poorly maintained power tools.*
- **Keep cutting tools sharp and clean.** *Properly maintained cutting tools with sharp cutting edges are less likely to bind and are easier to control.*
- **Use the power tool, accessories and tool bits etc. in accordance with these instructions, taking into account the working conditions and the work to be performed.** *Use of the power tool for operations different from those intended could result in a hazardous situation.*
- **Keep handles and grasping surfaces dry, clean and free from oil and grease.** *Slippery handles and grasping surfaces do not allow for safe handling and control of the tool in unexpected situations.*

2.5 BATTERY TOOL USE AND CARE

- **Recharge only with the charger specified by the manufacturer.** *A charger that is suitable for one type of battery pack may create a risk of fire when used with another battery pack.*
- **Use power tools only with specifically designated battery packs.** *Use of any other battery packs may create a risk of injury and fire.*
- **When battery pack is not in use, keep it away from other metal objects like paper clips, coins, keys, nails, screws, or other small metal objects that can make a connection from one terminal to another.** *Shorting the battery terminals together may cause burns or fire.*
- **Under abusive conditions, liquid may be ejected from the battery; avoid contact. If contact accidentally**

occurs, flush with water. If liquid contacts eyes, additionally seek medical help. *Liquid ejected from the battery may cause irritation or burns.*

- **Do not use a battery pack or tool that is damaged or modified.** *Damaged or modified batteries may exhibit unpredictable behavior resulting in fire, explosion or risk of injury.*
- **Do not expose a battery pack or tool to fire or excessive temperature.** *Exposure to fire or temperature above 130°C may cause explosion.*
- **Follow all charging instructions and do not charge the battery pack or tool outside the temperature range specified in the instructions.** *Charging improperly or at temperatures outside the specified range may damage the battery and increase the risk of fire.*

2.6 SERVICE

- **Have your power tool serviced by a qualified repair person using only identical replacement parts.** *This will ensure that the safety of the power tool is maintained.*
- **Never service damaged battery packs.** *Service of battery packs should only be performed by the manufacturer or authorized service providers.*

2.7 HEDGE TRIMMER SAFETY WARNINGS

- **Keep all parts of the body away from the blade. Do not remove cut material or hold material to be cut when blades are moving.** *Blades continue to move after the switch is turned off. A moment of inattention while operating the hedge trimmer may result in serious personal injury.*
- **Carry the hedge trimmer by the handle with the blade stopped and taking care not to operate any power switch.** *Proper carrying of the hedge trimmer will decrease the risk of inadvertent starting and resultant personal injury from the blades.*
- **When transporting or storing the hedge trimmer, always fit the blade cover.** *Proper handling of the hedge trimmer will decrease the risk of personal injury from the blades.*
- **When clearing jammed material or servicing the unit, make sure all power switches are off and the power cord is disconnected.** *Unexpected actuation of the hedge trimmer while clearing jammed material or servicing may result in serious personal injury.*
- **Hold the hedge trimmer by insulated gripping surfaces only, because the blade may contact hidden wiring or its own cord.** *Blades contacting a "live" wire may make exposed metal parts of the hedge trimmer "live" and could give the operator an electric shock.*
- **Keep all power cords and cables away from cutting area.** *Power cords or cables may be hidden in hedges or bushes and can be accidentally cut by the blade.*
- **Do not use the hedge trimmer in bad weather conditions, especially when there is a risk of**

lightning. This decreases the risk of being struck by lightning.

2.8 EXTENDED-REACH HEDGE TRIMMER SAFETY WARNINGS




- To reduce the risk of electrocution, never use the extended-reach hedge trimmer near any electrical power lines. Contact with or use near power lines may cause serious injury or electric shock resulting in death.
- Always use two hands when operating the extended-reach hedge trimmer. Hold the extended-reach hedge trimmer with both hands to avoid loss of control.
- Always use head protection when operating the extended-reach hedge trimmer overhead. Falling debris can result in serious personal injury.








2.9 THE RECOMMENDED AMBIENT TEMPERATURE RANGE:

Item	Temperature
Appliance storage temperature range	32 °F (0 °C) ~ 113 °F (45 °C)
Appliance operation temperature range	32 °F (0 °C) ~ 113 °F (45 °C)
Battery charging temperature range	39 °F (4 °C) ~ 104 °F (40 °C)
Charger operation temperature range	39 °F (4 °C) ~ 104 °F (40 °C)
Battery storage temperature range	32 °F (0 °C) ~ 113 °F (45 °C)
Battery discharging temperature range	32 °F (0 °C) ~ 113 °F (45 °C)

3 SYMBOLS ON THE PRODUCT




Some of the following symbols may be used on this product. Please study them and learn their meaning. Proper interpretation of these symbols will allow you to operate the product better and safer.

Symbol	Explanation
	Precautions that involve your safety.
	Read and understand all instructions before operating the product, and follow all warnings and safety instructions.
	Always wear safety glasses with side shields marked to comply with ANSI Z87.1 when you operate this machine.

Symbol	Explanation
	Thrown objects can ricochet and result in personal injury or property damage. Wear protective clothing and boots.
	Wear non-slip, heavy duty gloves.
	Keep all bystanders at least 50 ft away.
	DANGER! Risk of electrocution! Keep tool 50 feet away from electrical lines. Keep all bystanders at least 50 ft. away.
	Do not expose the product to rain or moist conditions.
	Danger – keep hands and feet away from blade.
	Wear head protection.

4 RISK LEVELS

The following signal words and meanings are intended to explain the levels of risk associated with this product.

SYMBOL	SIGNAL	MEANING
	DANGER	Indicates an imminently hazardous situation, which, if not avoided, will result in death or serious injury.
	WARNING	Indicates a potentially hazardous situation, which, if not avoided, could result in death or serious injury.
	CAUTION	Indicates a potentially hazardous situation, which, if not avoided, may result in minor or moderate injury.
	CAUTION	(Without Safety Alert Symbol) Indicates a situation that may result in property damage.

5 RECYCLE

	Separate collection. You must not discard with usual household waste. If it is necessary to replace the machine, or if it is no more use to you, do not discard it with household waste.
	Separate collection of used machine and packaging let you recycle materials and use them again. Use of the recycled materials helps prevent environmental pollution and decreases the requirements for raw materials.
	At the end of their useful life, discard batteries with a precaution for our environment. The battery contains material that is dangerous to you and the environment. You must remove and discard these materials separately at a location that accepts lithium-ion batteries.

6 INSTALLATION

6.1 UNPACK THE MACHINE

▲ WARNING

Make sure that you correctly assemble the machine before use.

▲ WARNING

- If parts of the machine are damaged, do not use the machine.
- If you do not have all the parts, do not operate the machine.
- If parts are damaged or missing, contact the service center.

1. Open the package.
2. Read the documentation provided in the box.
3. Remove all the unassembled parts from the box.
4. Remove the machine from the box.
5. Discard the box and packing material in compliance with local regulations.

6.1.1 ATTACH THE CARRYING RING

Figure 2 - 3

1. Pull carrying ring apart and place over power head end of shaft; position near the power head.
2. Install bolt and lock nut.
3. Tighten nut securely.

i NOTE

Check for tightness before each use to avoid serious injury or product damage.

6.1.2 USE THE SHOULDER STRAP

Figure 4 - 5

1. Attach the carabiner to the carrying ring on the pole.
2. Put on the shoulder strap.
3. Adjust the length of the strap so that the carabiner is about the width of a hand below your right hip.

6.1.3 CONNECT POWER HEAD TO LOWER SHAFT ASSEMBLY

Figure 6

1. Remove the rubber protector.
2. Loosen the knob on the coupler.
3. Push in the release button located on the lower shaft. Align the release button with the positioning hole and slide the two shafts together. Rotate the lower shaft until the button locks into the positioning hole.
4. Tighten the knob securely.

i NOTE

If the button does not release completely in the positioning hole, the shafts are not locked into place. Slightly rotate from side to side until the button is locked into place.

7 OPERATION

7.1 ADJUST THE TRIMMER HEAD ANGLE

Figure 7

The trimmer head pivots 180° and can be locked into 13 positions within that range.

1. Hold the auxiliary handle.
2. Pull back and hold the safety lock-out button.
3. Push the pivot button and move the head forward or backward to your desired position.
4. Release the safety lock-out button and pivot button.

▲ WARNING

The trimmer head should lock securely in place.

7.2 OPERATION TIPS

Figure 8 - 9

- Start by trimming the top of the hedge. Slightly tilt the tool (up to 15° relative to the line of cut) so that the blade tips point slightly towards the hedge. This will cause the blades to cut more effectively. Hold the tool at the desired

angle and move it steadily along the line of cut. The doublesided blade allows you to cut in either direction.

- In order to obtain a very straight cut, stretch a piece of string along the length of the hedge at the desired height. Use the string as a guideline, cutting just above it.
- In order to obtain flat sides, cut upwards with the growth. Younger stems move outwards when the blade cuts downwards, causing shallow patches in the hedge.
- Take care to avoid any foreign objects. Especially avoid hard objects such as metal wire and railings, as these could damage the blades.
- Regularly oil the blades.

▲ WARNING

Keep hands away from blade while operating. Contact with blade will result in serious personal injury.

8 MAINTENANCE

▲ CAUTION

Do not let brake fluids, gasoline, petroleum-based materials touch the plastic parts. Chemicals can cause damage to the plastic, and make the plastic unserviceable.

▲ CAUTION

Do not use strong solvents or detergents on the plastic housing or components.

▲ WARNING

Remove the battery pack from the machine before maintenance.

8.1 CLEAN THE MACHINE

▲ WARNING

Keep the machine and the motor free of leaves, branches or excessive oil to prevent fire risks.

- Use a moist cloth with a mild detergent to clean the machine.
- Clean all moisture with a soft dry cloth.
- Use a small brush to clean the air vents.

8.2 LUBRICATE THE BLADE

To increase the efficiency and life of the blades, lubricate them carefully after each work session:

- Do not oil the blade while the hedge trimmer is running.
- Put the machine on a flat and smooth surface.
- Use a soft cloth to clean the blades and a brush to remove more dirt.
- Use a light layer of oil to lubricate the blades along the top edge of the blade.

i NOTE

We recommend to use the non-pollutant type oil.

9 STORE THE MACHINE

i NOTE

Clean the machine before storage.

1. Remove the battery pack.
2. Let the motor cool.
3. Check that there are no loose or damaged components. If it is necessary, replace the damaged components, tighten screws and bolts, or speak to a person of an approved service center.
4. Store the machine in a cool and dry location.

10 TROUBLESHOOTING

Problem	Possible cause	Solution
The motor shuts down whilst working.	The battery pack is not installed tightly.	Make sure that you tightly installed the battery pack in the machine.
	The battery pack is out of power.	Charge the battery pack.
	The machine has damage.	Do not use the machine and speak to service center.
The machine smokes during operation.	The machine has damage.	<ol style="list-style-type: none"> 1. Immediately stop the machine. 2. Remove the battery. 3. Speak to service center.
The motor is on, blades do not move.	The machine has damage.	Do not use the machine and speak to service center.
	The blades are blocked.	Remove battery then clear blockage from the blades.

Problem	Possible cause	Solution
Too much noise and/or vibration is experienced while working.	The parts are loosened.	<ol style="list-style-type: none"> 1. Stop the machine. 2. Remove the battery. 3. Inspect for damage. 4. Check and tighten loose parts.
	The parts have damage.	Do not use the machine and speak to service center.

11 TECHNICAL DATA

Blade length	16" (406 mm)
--------------	--------------

12 WARRANTY

(The full warranty terms and conditions can be found on Greenworks website)

The Greenworks warranty is 4 years on the product, and 2 years on batteries and chargers (consumer/private usage) from the date of purchase. This warranty covers manufacturing faults. A faulty product under warranty might be either repaired or replaced. A unit that has been misused or used in other ways than described in the owner's manual might be rejected for warranty. Normal wear, and wear parts are not considered as warranty. The original manufacturer warranty is not affected by any additional warranty offered by a dealer or retailer.

A faulty product must be returned to the point of purchase in order to claim for warranty, together with the proof of purchase (receipt).