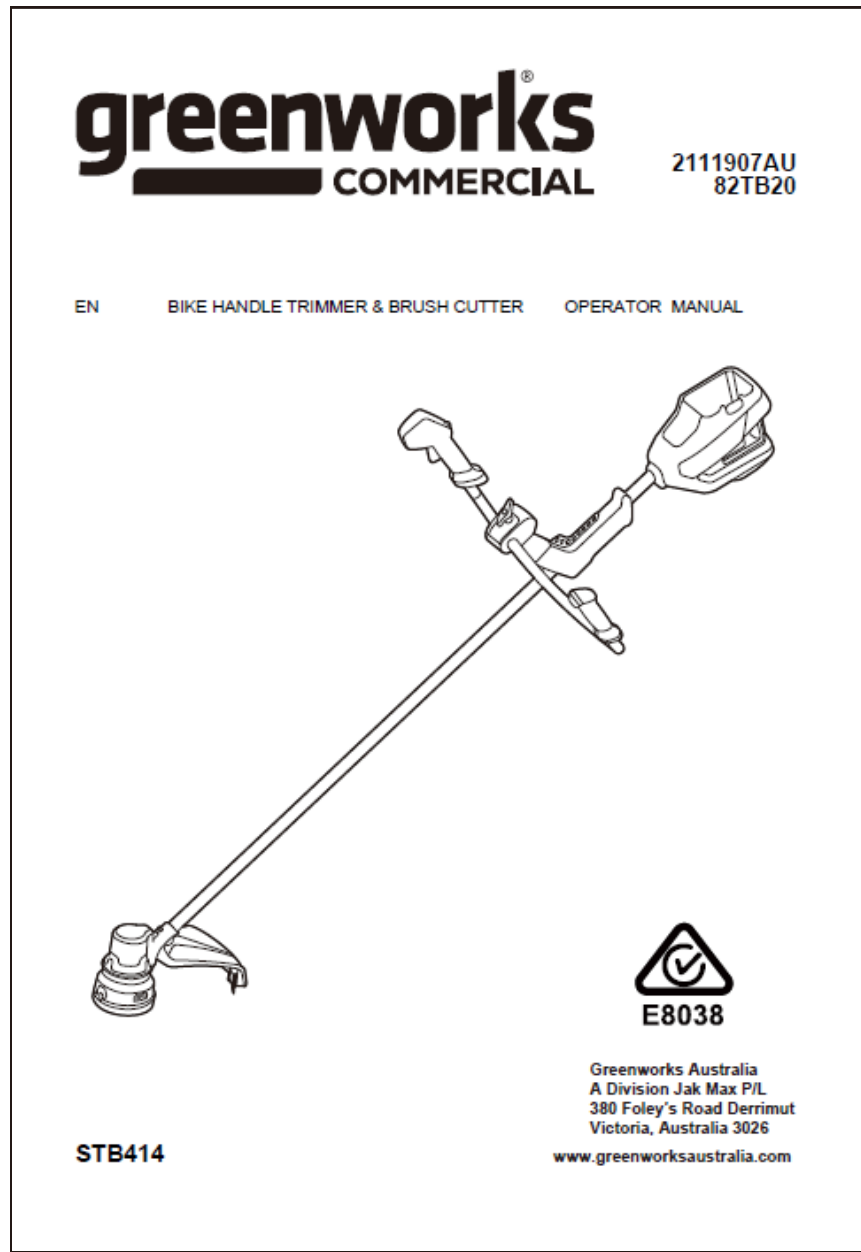


P0804971-01

210mm



145mm



技术要求:

1. 材质要求: 60g双胶纸, 85%本白;
2. 20P, 内容见电子档;
3. 单黑印刷, 要求无色差、无污点;
4. 骑马钉, 裁切均匀、无连页, 钉子不能生锈;
5. 以封样为准。
6. 料件需符合格力博HSF文件(编号: GLB-CGR-146)里关于环保和有害物质的具体要求。

@设变前料号P0804971-00, 将ATTACH THE SHOULDER STRAP模块位置从5调整至7.8
 @从B至B1版本, 图纸页新增P0804971-00至P0804971-01变更内容描述

版本号

B1

重要度等级

B

日期

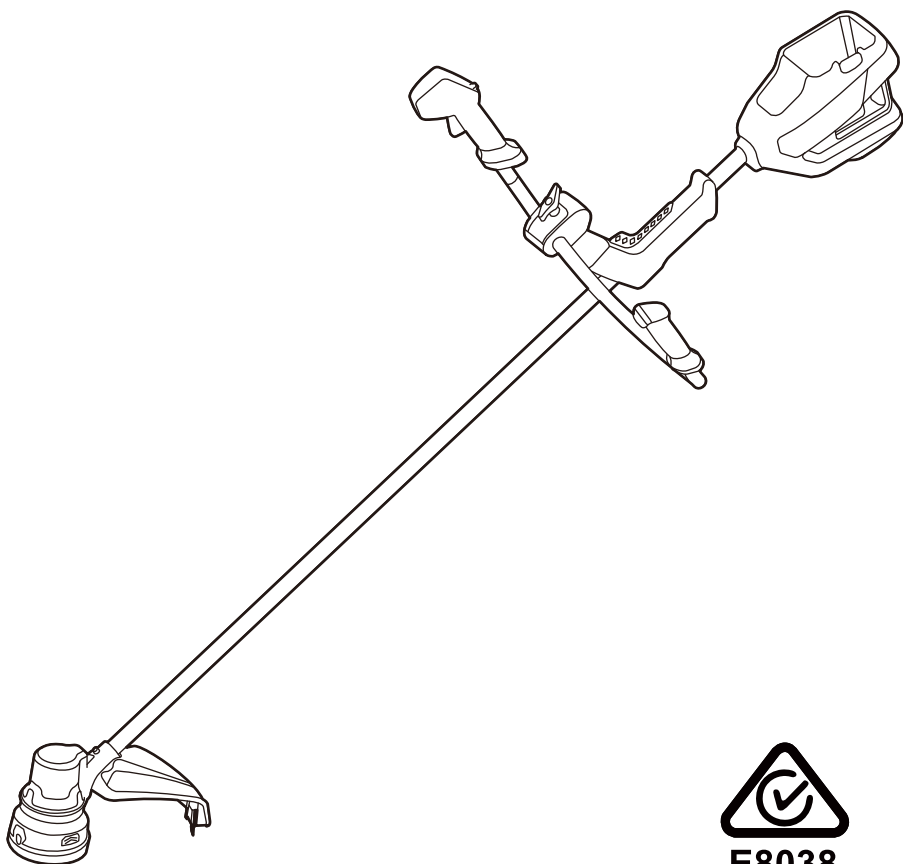
					说明书				常州格力博集团	
									GC 82V 打草机	
标记	处数	更改文件号	签名	日期	阶段标记	视角标记	重量	比例	2111907AU	
设计	薛琪瑞	标准化	向叶春		S	A	B			
校对	张君	审定			共 1 张		第 1 张		ERP号	P0804971-01
审核	周艳	批准	李金涛							
工艺		日期	23.03.29							

greenworks[®]

COMMERCIAL

2111907AU
82TB20

EN BIKE HANDLE TRIMMER & BRUSH CUTTER OPERATOR MANUAL



E8038

STB414

Greenworks Australia
A Division Jak Max P/L
380 Foley's Road Derrimut
Victoria, Australia 3026

www.greenworksaustralia.com

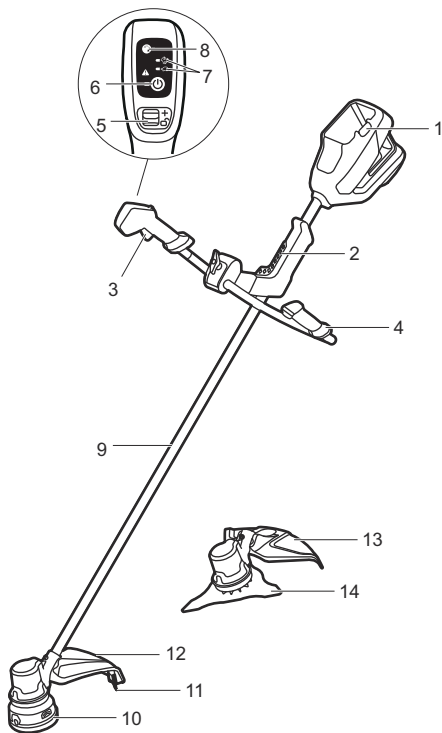
1	Description.....	2	8.4	Start the machine.....	8
1.1	Purpose.....	2	8.5	Stop the machine.....	9
1.2	Overview.....	2	8.6	Operation tips.....	9
2	Important safety instructions.....	2	8.7	Cutting tips	9
3	Symbols on the machine.....	4	8.8	Line cut-off blade.....	10
4	Risk levels.....	5	8.9	Adjust the length of the cutting line.....	10
5	Service.....	5	9	Maintenance.....	10
6	Environmentally safe battery disposal.....	5	9.1	General information.....	10
7	Installation.....	5	9.2	Clean the machine.....	10
7.1	Unpack the machine.....	5	9.3	Remove the remaining line.....	10
7.2	Attach the guard.....	6	9.4	Install the cutting line.....	11
7.3	Attach the bike handle.....	6	9.5	Remove the guard.....	12
7.4	Install the battery pack.....	6	9.6	Remove the trimmer head.....	12
7.5	Remove the battery pack.....	6	9.7	Assemble the trimmer head.....	13
7.6	Put on the backpack.....	7	9.8	Attach the brush cutter guard.....	13
7.7	Adjust the harness.....	7	9.9	Assemble the brush cutter.....	13
7.8	Attach the shoulder strap.....	8	9.10	Remove the brush cutter.....	14
8	Operation.....	8	10	Transportation and storage.....	14
8.1	On/off button.....	8	10.1	Move the machine.....	14
8.2	Reverse button.....	8	10.2	Store the machine.....	14
8.3	Speed indication.....	8	11	Troubleshooting.....	14
			12	Technical data.....	15
			13	Limited warranty.....	15

1 DESCRIPTION

1.1 PURPOSE

This machine is used to cut grass, light weeds, and other similar vegetation at or around ground level. The cutting plane must be approximately parallel to the ground surface. You cannot use the machine to cut or chop hedges, shrubs, bushes, flowers and compost.

1.2 OVERVIEW



- 1 Battery release button
- 2 Carrying strip
- 3 Trigger
- 4 Bike handle
- 5 Speed button/lock-out button
- 6 On/off button
- 7 Speed indication
- 8 Reverse button
- 9 Shaft
- 10 Trimmer head
- 11 Cut-off blade
- 12 Guard

- 13 Brush cutter guard
- 14 Brush cutter blade

2 IMPORTANT SAFETY INSTRUCTIONS

READ ALL INSTRUCTIONS BEFORE USING (THIS POWER TOOL)

▲ WARNING

Read the operator's manual(s) and follow all warnings and safety instructions. Failure to do so can result in serious injury to the operator and/or bystanders.

- Use only identical manufacturer's replacement parts and accessories. Use of any other parts may create a hazard or cause product damage. Use only with Lithium-ion battery packs listed in operator's manual.
- Always wear safety glasses with side shields marked to comply with ANSI Z87.1. Everyday glasses have only impact resistant lenses. They are NOT safety glasses. Following this rule will reduce the risk of eye injury, risk of injury of thrown objects such as ricochet. Use face mask if operating in dusty work spaces.
- Avoid Dangerous Environment – Don't expose power tools to damp or wet conditions. Water entering a power tool will increase the risk of electric shock.
- Wear hearing protection.
- Wear head protection when operating a blade capable unit (brushcutter).
- Don't use in rain.
- Keep all bystanders, children, and pets at least 50 ft. (15m) away.
- Dress Properly – Do not wear loose clothing or jewelry. They can be caught in moving parts. Use of rubber gloves and substantial footwear is recommended when working outdoors. Wear protective hair covering to contain long hair. Always wear heavy, long pants, boots, gloves, and a long-sleeve shirt. Do not wear loose clothing, jewelry, short pants, sandals, or go barefoot. Secure hair so it is above shoulder level.
- Use right Appliance. Do not use appliance for any job except that for which it is intended.
- Avoid Unintentional Starting – Don't carry appliance with finger on switch. Be sure switch is off when battery is plugged in.
- Don't Force Appliance – It will do the job better and with less likelihood of a risk of injury at the rate for which it was designed.
- Don't overreach – Keep proper footing and balance at all times. Keep firm footing and balance. Do not over-reach. Keep cutting attachment below waist level. Keep all parts of your body away from the rotating cutting attachment.

- Stay alert – Watch what you are doing. Use common sense. Do not operate this unit when you are tired, ill or under the influence of alcohol, drugs or medication.
- Always store idle power tools indoors – When not in use, power tools should be stored indoors in a dry and high or locked-up place, out of reach of children.
- The machine is not intended for use by persons (including children) with reduced physical, sensory or mental capabilities, or lack of experience and knowledge, unless they have been given supervision or instruction concerning use of the machine by a person responsible for their safety. Children should be supervised to ensure that they do not play with the machine.
- This appliance can be used by children aged from 8 years and above and persons with reduced physical, sensory or mental capabilities or lack of experience and knowledge if they have been given supervision or instruction concerning use of the appliance in a safe way and understand the hazards involved. Children shall not play with the appliance. Cleaning and user maintenance shall not be made by children without supervision.
- Maintain Appliance With Care – Replace string head if cracked, chipped, or damaged in any way. Be sure the string head is properly installed and securely fastened. Keep cutting edge sharp and clean for best performance and to reduce the risk of injury. Follow instructions for lubricating and changing accessories. Inspect appliance cord periodically, and if damaged, have it repaired by an authorized service facility. Inspect extension cords periodically and replace if damaged. Keep handles dry, clean, and free from oil and grease. Failure to do so can cause serious injury.
- Check damaged parts before using the appliance, a guard or other part that is damaged should be carefully checked to determine that it will operate properly and perform its intended function. Check for alignment of moving parts, binding of moving parts, breakage of parts, damaged mountings, and any other condition that may affect its operation. A guard or other part that is damaged should be properly repaired or replaced by an authorized service center unless indicated elsewhere in this manual.
- The battery must be removed from the appliance before it is scrapped. The appliance must be disconnected from the supply mains when removing the battery. The battery is to be disposed of safely
- Remove or disconnect battery before servicing, cleaning or removing material from the gardening appliance.
- Do not modify or attempt to repair the appliance or the battery pack (as applicable) except as indicated in the instructions for use and care. Use appliances only with specifically designated battery packs. Use of any other battery packs may create a risk of injury and fire. Use only Greenworks 82BD400 battery or other Greenworks Commercial 82V batteries.
- Recharge only with the charger specified by the manufacturer. A charger that is suitable for one type of battery pack may create a risk of fire when used with another battery pack. Use only Greenworks 82DPC8A charger or other Greenworks Commercial 82V chargers.
- When battery pack is not in use, keep it away from other metal objects, like paper clips, coins, keys, nails, screws or other small metal objects, that can make a connection from one terminal to another. Shorting the battery terminals together may cause a fire.
- Under abusive conditions, liquid may be ejected from the battery; avoid contact. If contact accidentally occurs, flush with water. If liquid contacts eyes, additionally seek medical help. Liquid ejected from the battery may cause irritation or burns.
- Do not use a battery pack or appliance that is damaged or modified. Damaged or modified batteries may exhibit unpredictable behavior resulting in fire, explosion or risk of injury.
- Do not expose a battery pack or appliance to fire or excessive temperature. Exposure to fire or temperature above 265 °F (130 °C) may cause an explosion.
- Do not dispose of the batteries in a fire. The cells may explode. Check with local codes for possible special disposal instructions.
- Do not open or mutilate the batteries. Released electrolyte is corrosive and may cause damage to the eyes or skin. It may be toxic if swallowed.
- Exercise care in handling batteries in order not to short the battery with conducting materials such as rings, bracelets, and keys. The battery or conductor may overheat and cause burns.
- Follow all charging instructions and do not charge the battery pack or appliance outside of the temperature range specified in the instructions. Charging improperly or at temperatures outside of the specified range may damage the battery and increase the risk of fire.
- Have servicing performed by a qualified repair person using only identical replacement parts. This will ensure that the safety of the product is maintained.
- Keep guards in place and in working order.
- Keep hands and feet away from cutting area.
- Disconnect the battery pack from the appliance before making any adjustments, changing accessories, or storing appliance. Such preventive safety measures reduce the risk of starting the appliance accidentally.
- Use only with the nylon cutting line of 0.095" (2.4 mm) diameter. Do not use heavier lines

than recommended by the manufacturer and line materials of other types – for example, metal wire, rope, and the like.

- Danger – Be aware of blade thrust :
 - Blade thrust may occur when the spinning blade contacts an object that it does not immediately cut.
 - Blade thrust can be violent enough to cause the unit and/or operator to be propelled in any direction, and possibly lose control of the unit.
 - Blade thrust can occur without warning if the blade snags, stalls or binds.
 - Blade thrust is more likely to occur in areas where it is difficult to see the material being cut.
- Condition of Unit before Use – Inspect unit before each use. Replace damaged parts. Make sure all fasteners are in place and secure. Replace cutting attachment parts that are cracked, chipped, or damaged in any way. Make sure the cutting attachment is properly installed and securely fastened. Be sure the cutting attachment shield is properly attached and in the position recommended by the manufacturer. Use only flexible, nonmetallic line recommended by the manufacturer. Never use, for example, wire or wire-rope, which can break off and become a dangerous projectile. The handles shall be mounted in accordance with the manufacturer's instructions. Do not attach any blade to a unit without proper installation of all required parts. Failure to use the proper parts can cause the blade to fly off and seriously injure the operator and/or bystanders. Discard blades that are bent, warped, cracked, broken, or damaged in any way. Use a sharp blade. A dull blade is more likely to snag and thrust.
- Work Area – Clear the area to be cut before each use. Remove all objects such as rocks, broken glass, nails, wire, or string, which can be thrown or become entangled in the cutting attachment. Clear the area of children, bystanders and pets. At a minimum, keep all children, bystanders and pets outside a 15 m (50 ft) radius; outside the 15 m (50 ft) zone, there is still a risk of injury from thrown objects. Bystanders should be encouraged to wear eye protection. If you are approached, stop the engine and cutting attachment. In the case of bladed units, there is the added risk of injury to bystanders from being struck with the moving blade in the event of a blade thrust or other unexpected reaction of the saw.
- When the unit is turned off, make sure the cutting attachment has stopped before servicing, cleaning or removing material from the gardening appliance and before the unit is set down.
- Stopping the Unit – A coasting blade can cause injury while it continues to spin after the appliance is stopped or throttle trigger is released. Maintain

proper control until the blade has completely stopped rotating.

SAVE THESE INSTRUCTIONS




3 SYMBOLS ON THE MACHINE

Some of the following symbols can be used on this machine. Please study them and learn their definition. Proper interpretation of these symbols will let you operate the tool better and safer.

Symbol	Explanation
V	Voltage
A	Current
Hz	Frequency (cycles per second)
W	Power
min	Time
/min	Revolutions, strokes, surface speed, orbits etc., per minute
	Direct current
	Precautions that involve your safety.
	Read and understand all instructions before you operate the machine, and follow all warnings and safety instructions.
	Wear head protection when operating a blade capable unit.
	Always wear eye and ear protection marked to comply with ANSI Z87.1 when you operate this machine.
	Wear protective gloves.
	Wearsafety footwear.
	Risk injury of blade thrust.
	Keep all bystanders at least 50-ft (15m) away.
	Thrown objects can ricochet and result in personal injury or property damage.

4 RISK LEVELS

The following signal words and meanings are intended to explain the levels of risk associated with this product.

SYM-BOL	SIGNAL	MEANING
	DANGER	Indicates an imminently hazardous situation, which, if not avoided, will result in death or serious injury.
	WARNING	Indicates a potentially hazardous situation, which, if not avoided, could result in death or serious injury.
	CAUTION	Indicates a potentially hazardous situation, which, if not avoided, may result in minor or moderate injury.
	CAUTION	(Without Safety Alert Symbol) Indicates a situation that may result in property damage.

5 SERVICE

Servicing requires extreme care and knowledge and must be performed only by a qualified service technician. For service we suggest you return the machine to your nearest AUTHORIZED SERVICE CENTER for repair. Use only identical manufacturer's replacement parts and accessories.

6 ENVIRONMENTALLY SAFE BATTERY DISPOSAL



The toxic and corrosive materials below are in the batteries used in this machine: **Lithium-ion, a toxic material.**

▲ WARNING

Discard all toxic materials in a specified manner to prevent contamination of the environment. Before discarding damaged or worn-out Lithium-ion batteries, contact your local waste disposal agency, or the local Environmental Protection Agency for information and specific instructions. Take the batteries to a local recycling and/or disposal center, certified for Lithium-ion disposal.

▲ WARNING

If the battery pack cracks or breaks, with or without leaks, do not recharge it and do not use. Discard it and replace with a new battery pack. **DO NOT TRY TO REPAIR IT!** To prevent injury and risk of fire, explosion, or electric shock, and to avoid damage to the environment:

- Cover the terminals of the battery with heavy-duty adhesive tape.
- **DO NOT** try to remove or destroy any of the battery pack components.
- **DO NOT** try to open the battery pack.
- If a leak develops, the released electrolytes are corrosive and toxic. **DO NOT** get the solution in the eyes or on skin, and do not swallow it.
- **DO NOT** put these batteries in your regular household trash.
- **DO NOT** incinerate.
- **DO NOT** put them where they will become part of any waste landfill or municipal solid waste stream.
- Take them to a certified recycling or disposal center.

7 INSTALLATION

▲ WARNING

Remove the battery pack from the machine before installation.

▲ WARNING

Do not use accessories that are not recommended for this machine.

7.1 UNPACK THE MACHINE

▲ WARNING

Make sure that you correctly assemble the machine before use.

▲ WARNING

- If parts of the machine are damaged, do not use the machine.
- If parts are missing, do not operate the machine.
- If parts are damaged or missing, contact the service center.

1. Open the package.
2. Read the documentation provided in the box.
3. Remove all the unassembled parts from the box.
4. Remove the machine from the box.
5. Discard the box and packing material in compliance with local regulations.

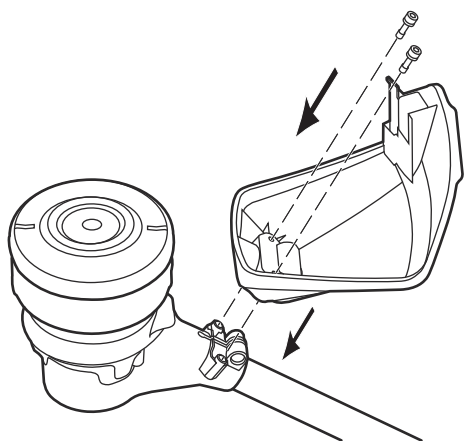
▲ WARNING

For your personal safety, do not insert battery before the tool is assembled completely.

7.2 ATTACH THE GUARD**▲ WARNING**

Do not touch the cut-off blade.

1. Remove the screws from the trimmer head with the supplied hex wrench.
2. Put the guard onto the trimmer head.
3. Align the screw holes on the guard with the screw holes on the trimmer head.
4. Tighten the screws with the supplied hex wrench.

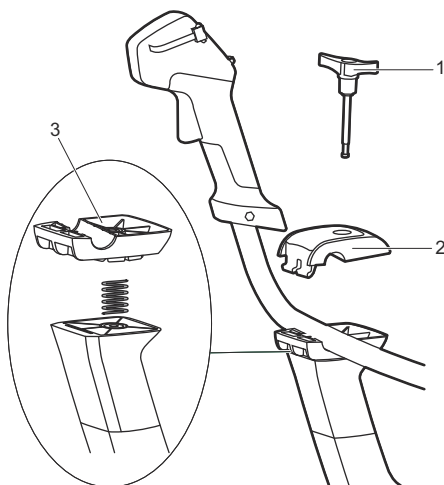
**7.3 ATTACH THE BIKE HANDLE**

1. Loosen the central knob (1).
2. Remove the cap (2) and the lower support (3).

i NOTE

Do not miss the spring in the support.

3. Put the auxiliary handle in the lower support.
4. Put the cap on the lower support.
5. Put the entire block in its housing on the shaft.
6. Set the auxiliary handle in the comfortable position.
7. Lock the auxiliary handle with the central knob.

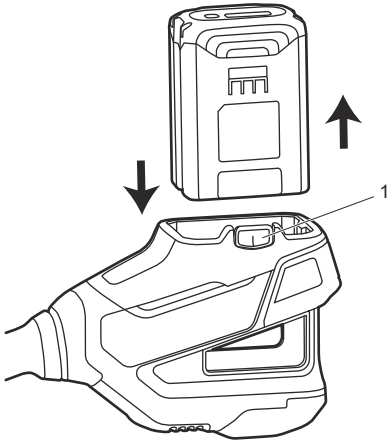
**7.4 INSTALL THE BATTERY PACK****▲ WARNING**

- If the battery pack or charger is damaged, replace the battery pack or the charger.
- Stop the machine and wait until the motor stops before you install or remove the battery pack.
- Read and understand the instructions in the battery and charger manual.

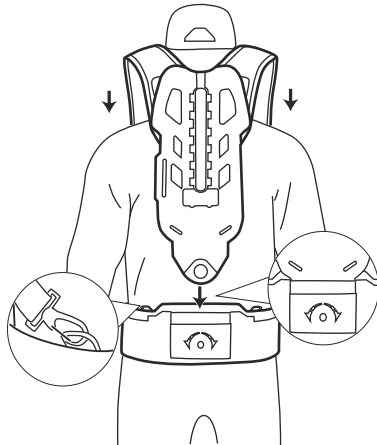
1. Align the ribs on the battery pack with the grooves in the battery compartment.
2. Push the battery pack into the battery compartment until the battery pack locks into place.
3. When you hear a click, the battery pack is installed.

7.5 REMOVE THE BATTERY PACK

1. Push and hold the battery release button (1).
2. Remove the battery pack from the machine.



7.6 PUT ON THE BACKPACK



1. The backplate is fastened to the hip belt through the pocket in the back.
2. The shoulder straps are attached to the D-rings at the back of the hip belt.

7.7 ADJUST THE HARNESS

1. Fit the backpack on your back.

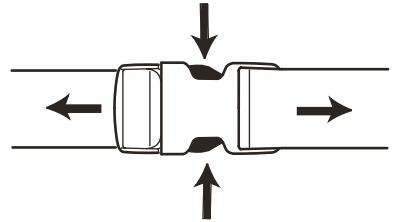
i NOTE

The back padding must fit firmly and securely against your back.

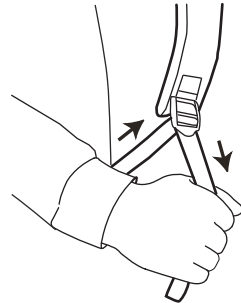
2. Adjust and fasten the waist belt so that it rests comfortably on your hips.
3. Lock the quick-release fastener by pushing it together.



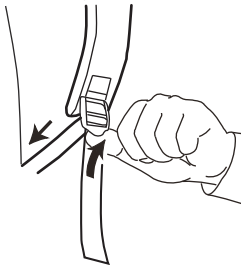
4. Squeeze the hooks to open the quick-release fastener.



5. Pull the ends of the straps down to tighten the harness.

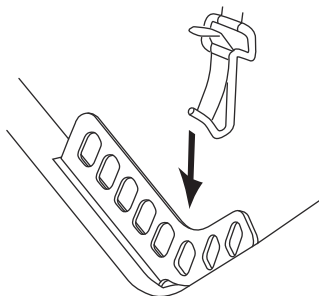


6. Lift the tabs of the adjusters to loosen the straps.





7.8 ATTACH THE SHOULDER STRAP



1. Attach the carabiner to the carrying ring on the drive tube.

8 OPERATION

i IMPORTANT

Before you operate the machine, read and understand the safety regulations and the operation instructions.

▲ WARNING

Be careful when you operate the machine and always observe your surroundings before operating tool.

8.1 ON/OFF BUTTON



Push this button to turn power on and off for the machine.

Green light on: the electrical circuit of the machine is on (ON). The machine prepares to operate.

i NOTE

If you do not use the machine for more than 120 s, the machine will stop.

Lights off: the electrical circuit is off (OFF).

i IMPORTANT

Do not keep your finger on the button when you move the machine to prevent accidental start.

8.2 REVERSE BUTTON



1. If grass winds around the trimmer head or blade, push the reverse button.
2. Start the machine again.

8.3 SPEED INDICATION

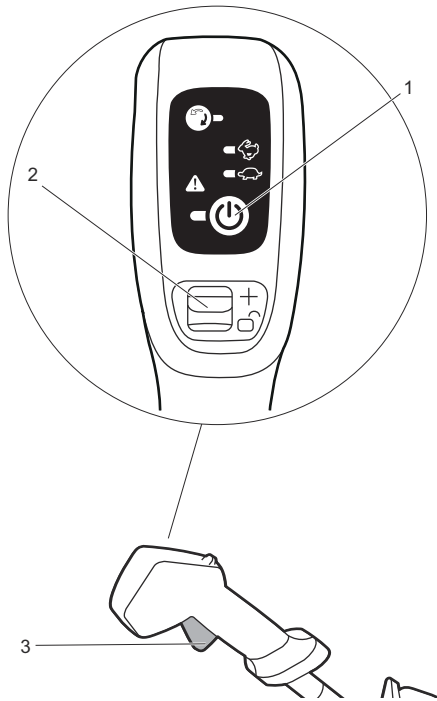


1. The rabbit light is on when you adjust to high speed.
2. The turtle light is on when you adjust to low speed.

8.4 START THE MACHINE

1. Push the on/off button (1).
2. Pull the lock-out button (2) rearward.
3. Pull the trigger (3).
4. Push the speed button (2) forward to increase cutting means speed according to grass conditions.

- Remove the battery pack.
- Remove the grass.



8.5 STOP THE MACHINE

1. Release the trigger.
2. Push the on/off button again to turn the machine off.

8.6 OPERATION TIPS

▲ WARNING

Keep clearance between the body and the machine.

▲ WARNING

Do not operate the machine without guard in place.

Do these tips when you use the machine:

- Keep the machine connected to the correctly worn harness.
- Keep a firm hold with two hands on the machine while you operate the machine.
- Cut tall grass from the top down.

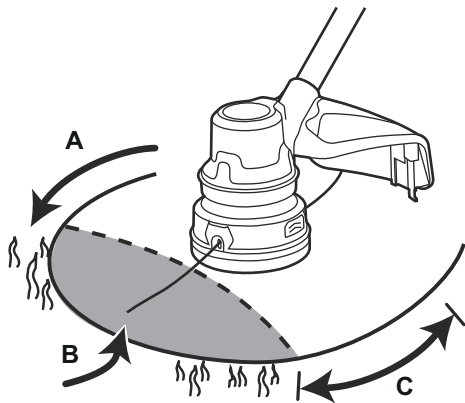
If grass winds around the trimmer head:



8.7 CUTTING TIPS

- Tilt the machine toward the area to be cut (B). Use the tip of the cutting line to cut grass.
- Move the machine from right to left to prevent thrown debris from hitting the operator.
- Do not cut in the danger area (C).
- Do not force the trimmer head into uncut grass.

- Wire and picket fences cause cutting line wear and breakage. Stone and brick walls, curbs, and wood can wear the cutting line quickly.



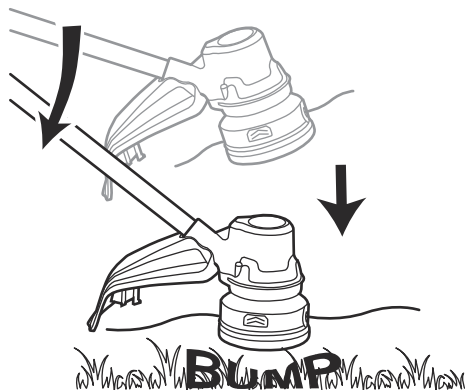
8.8 LINE CUT-OFF BLADE

This trimmer is equipped with a line cut-off blade on the guard. The line cut off blade continuously trims the line to ensure a consistent and efficient cut diameter. Advance line whenever you hear the engine running faster than normal, or when trimming efficiency diminishes. This will maintain best performance and keep line long enough to advance properly.

8.9 ADJUST THE LENGTH OF THE CUTTING LINE

While you operate the machine, the cutting line gets worn shorter. You can adjust the length of the cutting line.

1. While the trimmer is running, bump the trimmer head against the ground.
2. Line is automatically released and the cut-off blade cuts the excess length.



9 MAINTENANCE

i IMPORTANT

Read and understand the safety regulations and the maintenance instructions before you clean, repair or do the maintenance work on the machine.

i IMPORTANT

Make sure that all nuts, bolts and screws are tight. Check regularly that the handles are firmly mounted.

i IMPORTANT

Use only the replacement parts and accessories of the initial manufacturer.

▲ WARNING

The consequences of improper maintenance, use of nonconforming replacement components, and the modification or removal of components may result in serious injury to user.

9.1 GENERAL INFORMATION

i IMPORTANT

Only your dealer or approved service center can do the maintenance that is not given in this manual.

Before the maintenance operations:

- Stop the machine.
- Remove the battery pack.
- Cool the motor.
- Use correct clothing, protective gloves, and safety glasses.

9.2 CLEAN THE MACHINE

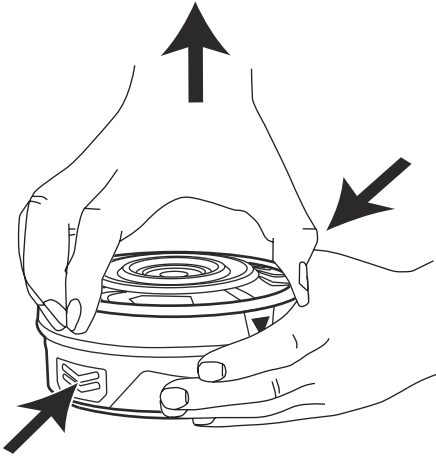
- Clean the machine after each use with a moist cloth dipped in neutral detergent.
- Do not use aggressive detergents or solvents like "glass cleaner" to clean the plastic parts or handles.
- Keep the trimmer head free from grass, leaves, or excessive grease.
- Keep the air vents clean and free of debris to avoid overheating and damage of the motor.
- Do not spray water onto the motor and electrical components.

9.3 REMOVE THE REMAINING LINE

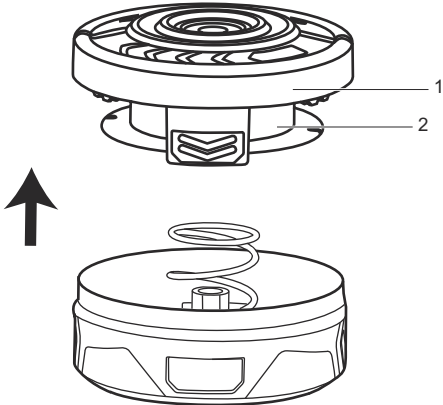
i NOTE

For normal use, head disassembly is not necessary. However, if circumstances require disassembly, follow these instructions.

1. Push the tabs on the sides of the trimmer head at the same time.



2. Pull and remove the spool cover (1).



3. Remove any remaining line.
4. Clean dirt and debris from all parts. Replace spool (2) or spool cover if it is worn or damaged.
5. Align the spool tabs with the tab openings in the base of the spool.
6. Push the spool cover until it clicks into position.

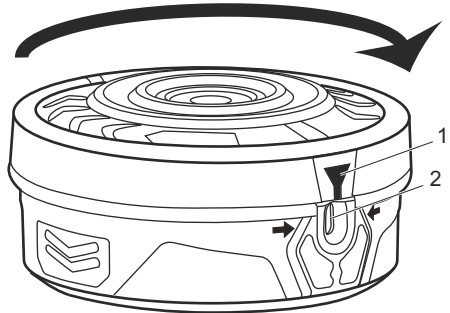


9.4 INSTALL THE CUTTING LINE

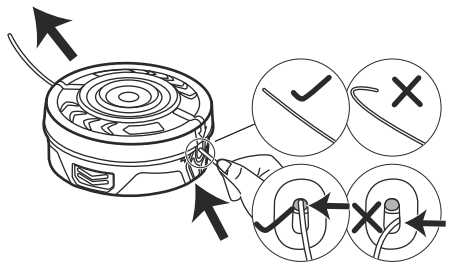
i NOTE

Do not put more than 26-ft of .095" line at a time.

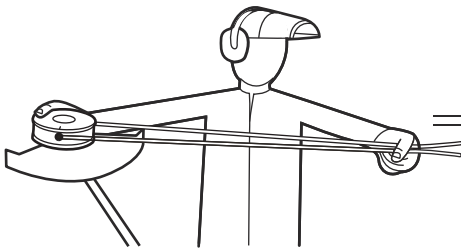
1. Remove the remaining cutting line on the spool.
2. Line up the slot (1) on the spool cap with the line exit hole (2) on the trimmer head.



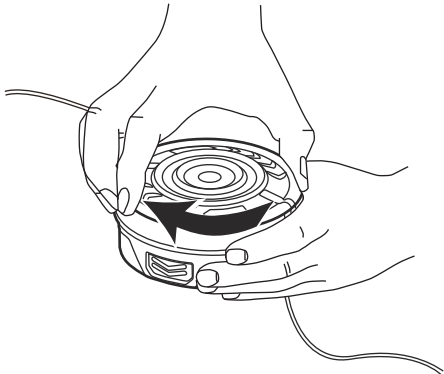
3. Feed the cutting line through the hole. Push the cutting line until it exits the opposite hole.



4. Pull the cutting line through until there is an equal quantity of cutting line on each side.



- 5. Turn the spool cap clockwise to wind the cutting line into the trimmer head. Keep approximately 5 in of cutting line above out of each side of the trimmer head.

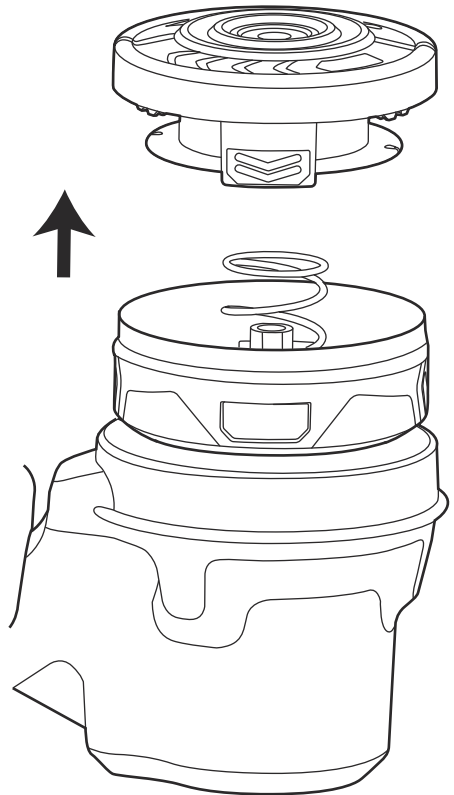


9.5 REMOVE THE GUARD

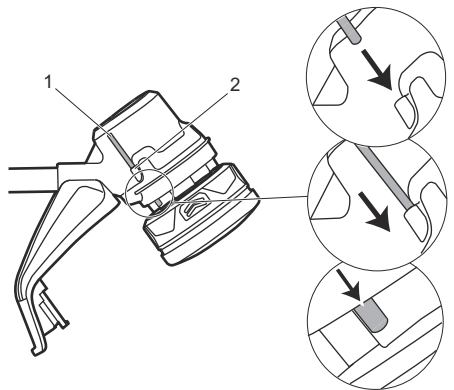
- 1. Remove the screws from the trimmer head with the supplied hex wrench.
- 2. Remove the guard.

9.6 REMOVE THE TRIMMER HEAD

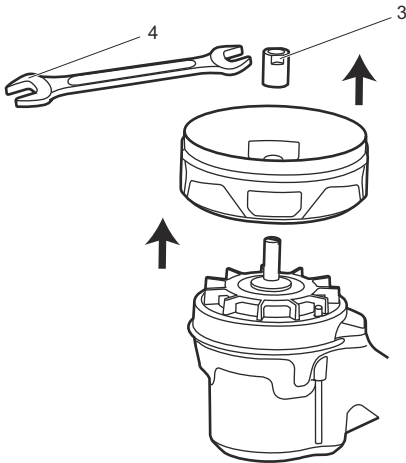
- 1. Push the tabs on the sides of the trimmer head at the same time.
- 2. Remove the spool cover and spool.
- 3. Remove the spring.



- 4. Put the metal rod (1) in the motor housing hole (2) to fix the trimmer head.



- 5. Loosen the nut (3) on the trimmer head clockwise with a wrench (4).
- 6. Remove the trimmer head.



9.7 ASSEMBLE THE TRIMMER HEAD

1. Put the trimmer head onto the housing.
2. Install the nut.
3. Put the metal rod in the motor housing hole to fix the trimmer head.
4. Tighten the nut on the trimmer head counterclockwise with a wrench.
5. Remove the metal rod.
6. Install the spring and spool cover.
7. Push the spool cover until it clicks into position.

i IMPORTANT

You must install the cut-off blade when you use the trimmer head.

9.8 ATTACH THE BRUSH CUTTER GUARD

i IMPORTANT

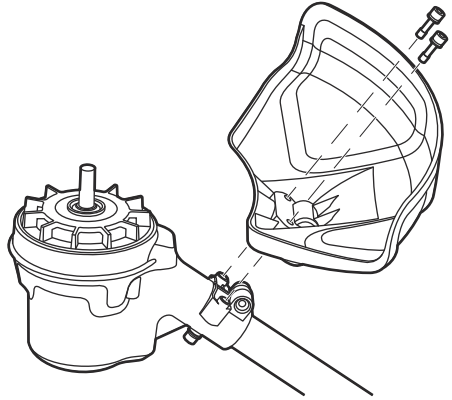
The brush cutter is used to cut dense grass, hard weeds, light bushes and other similar vegetation at or around ground level. The cutting plane must be approximately parallel to the ground surface. You cannot use the machine to cut or chop hedges, shrubs, bushes, flowers and compost.

▲ WARNING

You have to assemble the brush cutter guard before assemble the brush cutter.

1. Put the brush cutter guard onto the trimmer head.
2. Align the screw holes on the guard with the screw holes on the trimmer head.

3. Tighten the screws with the supplied hex wrench.



9.9 ASSEMBLE THE BRUSH CUTTER

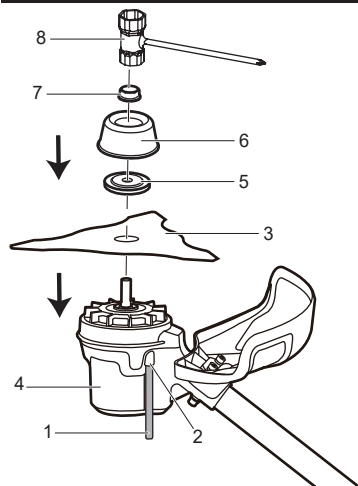
▲ WARNING

Wear gloves and be careful with sharp edges.

▲ WARNING

Apply the guard to the blade.

1. Put the metal rod (1) in the motor housing hole (2) to fix the trimmer head.
2. Put the brush-cutter blade (3) on top of the gear box (4). Make sure the blade is in the center.
3. Put the plate (5) above the blade.
4. Put the outer cup (6) above the plate.
5. Put the lock-nut (7) above the outer cup.
6. Tighten the lock-nut counter-clockwise with included wrench (8).



9.10 REMOVE THE BRUSH CUTTER

1. Put the metal rod in motor housing hole to fix the trimmer head.
2. Loosen the nut clockwise and remove the outer cup.
3. Remove the plate and brush-cutter blade.

10 TRANSPORTATION AND STORAGE

10.1 MOVE THE MACHINE

When you move the machine, you must:

- Wear gloves.
- Stop the machine.
- Remove the battery pack and charge it.
- Assemble the blade guard.

10.2 STORE THE MACHINE

- Remove the battery pack from the machine.
- Make sure that children cannot come near the machine.
- Keep the machine away from corrosive agents such as garden chemicals and de-icing salts.
- Secure the machine during transportation to prevent damage or injury. Clean and examine the machine for any damage.

11 TROUBLESHOOTING

Problem	Possible Cause	Solution
The machine does not start when the trigger is pushed.	No electrical contact between the machine and the battery pack.	1. Remove battery pack. 2. Check contact and install the battery pack again.
	The battery pack is depleted.	Charge the battery pack.
	The lock-out button and trigger are not pushed at the same time.	1. Pull the lock-out button and hold it. 2. Pull the trigger to start the machine.
The machine stops when you are cutting.	The guard is not attached to the machine.	Remove the battery pack and attach the guard to the machine.
	Heavy cutting line is used.	Use only with the nylon cutting line of 0.095" (2.4 mm) diameter.
	The grass winds around the motor shaft or the trimmer head.	1. Stop the machine. 2. Remove the battery pack. 3. Remove the grass from the motor shaft and trimmer head.
The motor is overloaded.	The motor is overloaded.	1. Remove the trimmer head from the grass. 2. The motor will recover to work as soon as the load is removed. 3. When you cut, move the trimmer head in and out of the grass to be cut and remove no more than 20 cm in pass.
		The battery pack or machine is too hot.
The battery pack is disconnected from the tool.	The battery pack is disconnected from the tool.	Install the battery pack again.

Problem	Possible Cause	Solution
	The battery pack is depleted.	Charge the battery pack.
The line does not extend.	Lines are welded to themselves.	Lubricate with silicone spray.
	Not enough line on the spool.	Install more line.
	Lines are worn and too short.	Extend the line.
	Lines are tangled on the spool.	1. Remove the lines from the spool. 2. Wind the lines.
The line keeps breaking.	The machine is used incorrectly.	1. Cut with the tip of the line, avoid stones, walls and other hard objects. 2. Advance the cutting line regularly to keep full cutting width.
The grass winds around the trimmer head and motor housing.	Cut tall grass at ground level.	1. Cut tall grass from the top down. 2. Remove no more than 20 cm in each pass to prevent wrapping.
The line does not cut well.	The cut-off blade becomes dull.	Sharpen the cut-off blade with a file or replace it.
Vibration increases obviously.	The line is worn down at one side and not extended in time.	Make sure that the line on both sides is equal. Extend the line.

12 TECHNICAL DATA

Type	Cordless, battery powered
Motor	82V DC Brushless
No load speed	4700-5500 \pm 10% min ⁻¹
Cutting line diameter	0.095" (2.4 mm) spiral nylon line
Cutting path diameter	String trimmer: 18" (46 cm)
	Brush cutter: 12" (30 cm)
Feed Type	Bump Feed
Weight (without battery pack)	12 lbs (5.5 kg)

Battery model	82BD400 and other Greenworks Commercial 82V batteries
Charger model	82DPC8A and other Greenworks Commercial 82V chargers
IPX	IPX4

The recommended ambient temperature range:

Item	Temperature
String trimmer storage temperature range	32°F (0°C) - 113°F (45°C)
String trimmer operation temperature range	32°F (0°C) - 113°F (45°C)
Battery charging temperature range	39°F (4°C) - 104°F (40°C)
Charger operation temperature range	39°F (4°C) - 104°F (40°C)
Battery storage temperature range	32°F (0°C) - 113°F (45°C)
Battery discharging temperature range	32°F (0°C) - 113°F (45°C)

13 LIMITED WARRANTY



Greenworks hereby warranties this product, to the original purchaser with proof of purchase, 2-year commercial power train warranty, 2-year commercial battery warranty against defects in materials, parts or workmanship. Greenworks, at its own discretion will repair or replace any and all parts found to be defective, free of charge to the customer. This warranty is valid only for units which have been used for personal or commercial use and that have been maintained in accordance with the instructions in the owners' manual supplied with the product from new.

2-YEAR LIMITED POWER TRAIN WARRANTY COVERAGE:

- Motor
- PCB Boards
- Gear Box
- 2 years from the date of purchase (non transferable)

**2-YEAR LIMITED BATTERY WARRANTY
COVERAGE:**

- Greenworks Commercial Battery Packs (82BD250, 82BD400, 82BD500, 82BD800 and other 82BD or GL series)
- 2 year from the date of purchase (non transferable)

**60-DAY LIMITED WEARABLE PARTS WARRANTY
COVERAGE:**

- Bars
- Blades
- Guards
- Chains
- Bump Feed Heads
- Tines
- Auger Bit
- Adaptor
- Extender
- 60 Days from date of purchase (non transferable)

**WARRANTY EXCLUSIONS, LIMITATIONS AND
RIGHTS:**

1. All warranties may not be transferred by the consumer to any subsequent purchaser.
2. Parts or components not supplied by the warrantor, or parts or components that have been modified.
3. Any failure resulting from the use of improper tools or improper repair procedures.
4. Any failure resulting from the use of improper tools or improper repair procedures.
5. Any failure or part that has become inoperative due to accident, impact, abuse, misuse, neglect, mishandling, dulling of cutting edges, or failure to operate the product in accordance with the information provided in the instruction manual supplied with the product.
6. Routine maintenance items such as lubricants, blade sharpening.
7. The unit, if it has not been operated and/or maintained in accordance with the owner's manual.

www.greenworksaustralia.com



greenworks

P0804971-01 Rev B1