

# greenworks®

7403707AU

EN

60V MINI BIKE

SPARE PARTS MANUAL



**E8038**

Greenworks Australia  
A Division Jak Max P/L  
380 Foley's Road Derrimut  
Victoria, Australia 3026

**OVC912**

[www.greenworksaustralia.com](http://www.greenworksaustralia.com)

REV1.0

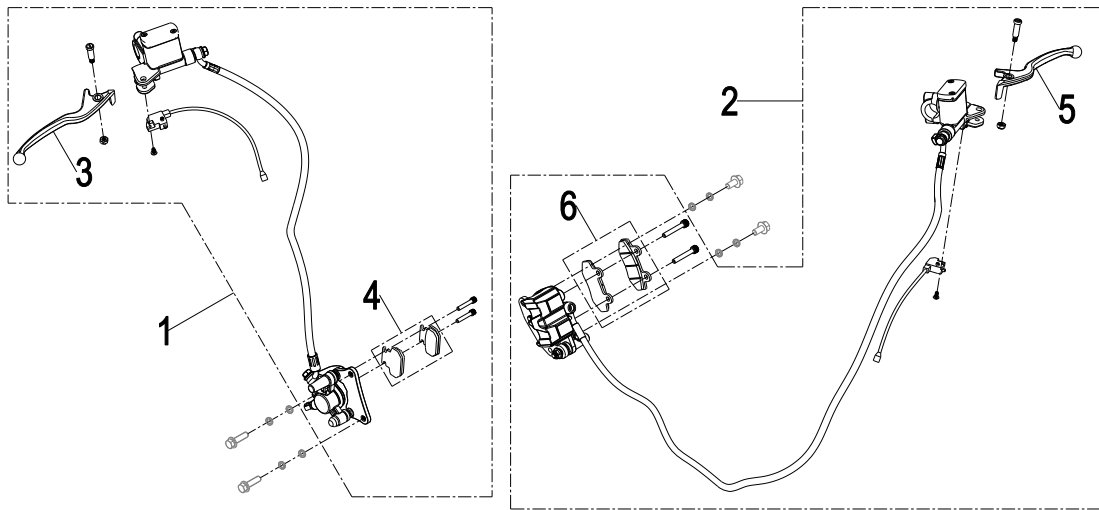
1

# CONTENTS

BRAKING COMPONENTS .....	3
FRONT SUSPENSION .....	5
ELECTRICAL COMPONENTS .....	7
CHASSIS AND SUSPENSION .....	9

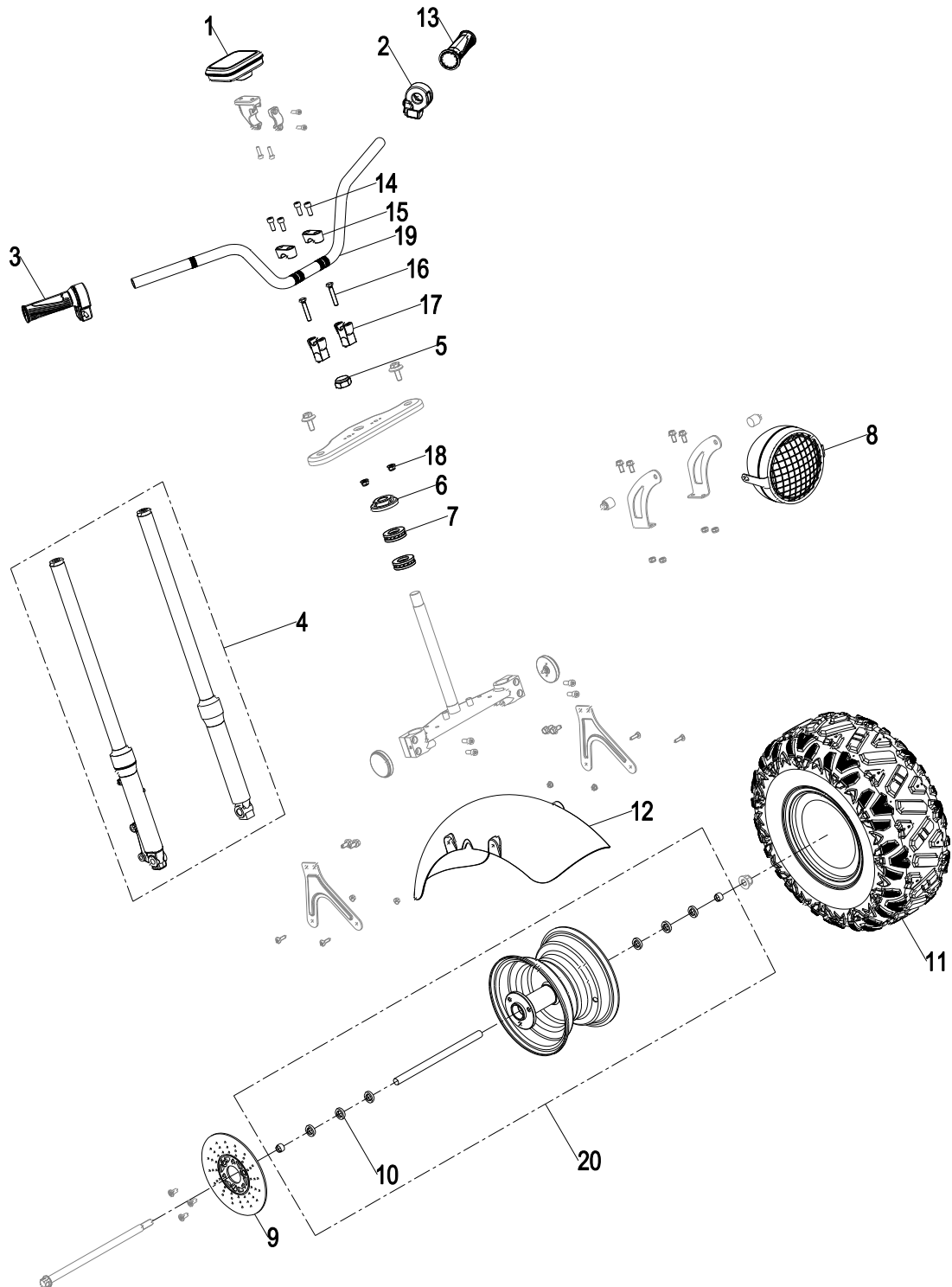
**NOTE:** ILLUSTRATIONS MAY OR MAY NOT REPRESENT THE ACTUAL ASSEMBLIES AND IT IS NOT RECOMMENDED TO USE THIS MANUAL AS A GUIDE TO ASSEMBLE OR DISASSEMBLE THE MINIBIKE.

# BRAKING COMPONENTS



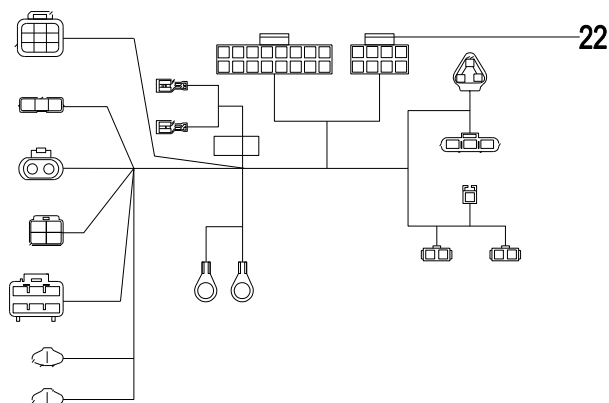
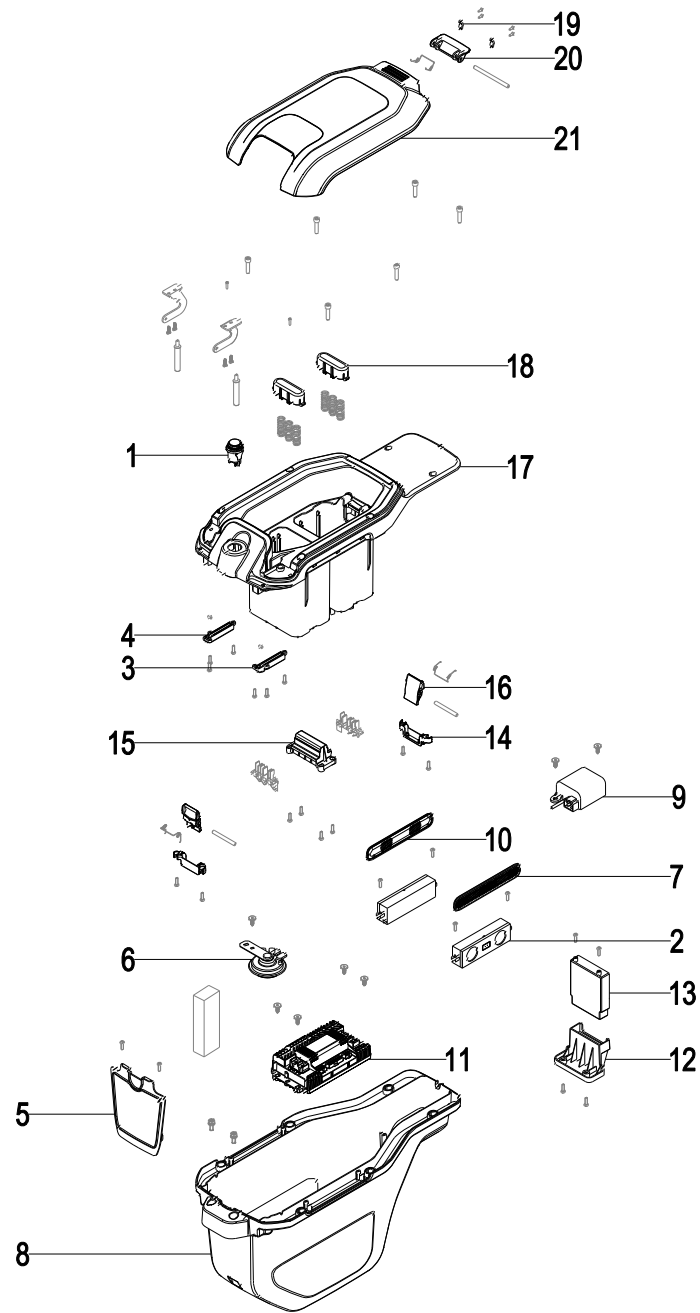
ITEM NO.	PAPT NO.	DESCRIPTION	QTY
1	R0206900-00	Front Brake Assembly	1
2	R0206430-00	Rear Brake Assembly	1
3	JMGW1470	Front Brake Lever	1
4	JMGW1471	Front Brake Pad Set	1
5	JMGW1472	Rear Brake Lever	1
6	JMGW1473	Rear Brake Pad Set	1

# FRONT SUSPENSION



ITEM NO.	PAPT NO.	DESCRIPTION	QTY
1	JMGW1378	Led Dashboard	1
2	JMGW1379	Sports/Eco Switch	1
3	JMGW1380	Throttle and Direction Switch Assembly	1
4	JMGW1382	Front Shock Absorber Assembly	1
5		Round Nuts	1
6		Round Nuts	1
7	JMGW1384	Handlebar Roller Bearings	2
8	JMGW1385	LED Headlight	1
9	JMGW1386	Front Brake Disc	1
10	JMGW1387	Front Wheel Rim/Hub Bearings	2
11	JMGW1388	Front Tyre	1
12	JMGW1389	Front Fender	1
13	JMGW1474	Left Handlebar Grip	1
14	JMGW1475	Handlebar Clamp Bolt Set Upper	4
15	JMGW1476	Handlebar Clamp Upper	2
16	JMGW1477	Handlebar Clamp Bolt Set Lower	2
17	JMGW1478	Handlebar Clamp Lower	2
18		Nut	2
19	JMGW1479	Handlebar	1
20	JMGW1480	Front Wheel Rim Assembly	1

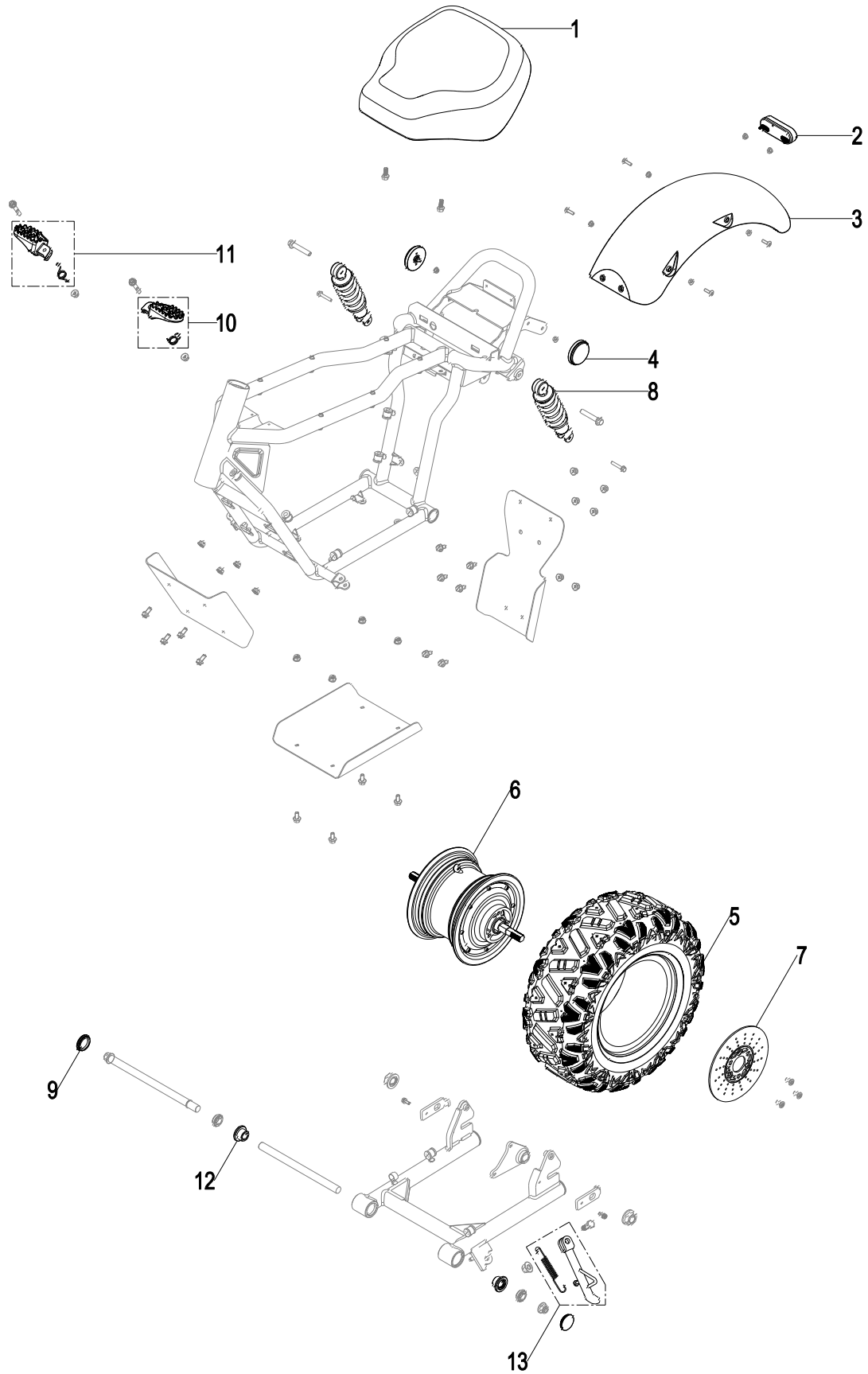
# ELECTRICAL COMPONENTS



ITEM NO.	PAPT NO.	DESCRIPTION	QTY
1	JMGW1390	On/Off Switch	1
2	JMGW1391	Bluetooth Speaker	2
3		Left Coverplate	1
4		Right Coverplate	1
5		Baffle	1
6	JMGW1392	Electric Horn	1
7	JMGW1393	Green Mesh Cover Plate LH	1
8	JMGW1394	Battery Housing Outer	1
9	JMGW1395	DC-DC Converter	1
10	JMGW1396	Green Mesh Cover Plate RH	1
11	JMGW1397	Drive Controller Board	1
12	JMGW1398	PCB Base	1
13	JMGW1399	PCB Assembly	1
14		Release Button Shaft Retaining Plate	2
15		Pressing Block	1
16		Release Button	2
17	JMGW1400	Battery Pack Housing Inner	1
18	JMGW1401	Battery Release Button Assembly	2
19	JMGW1402	Battery Housing Cover Release Spring	2
20	JMGW1403	Battery Housing Cover release Clip	1
21	JMGW1403	Battery Housing Top Lid	1
22	JMGW1481	Wire Harness Assembly	1



# CHASSIS AND SUSPENSION



ITEM NO.	PAPT NO.	DESCRIPTION	QTY
1	JMGW1405	Seat	1
2	JMGW1406	LED Rear Light	1
3	JMGW1407	Rear Fender	1
4	JMGW1408	Side Reflector	2
5	JMGW1409	Rear Tyre	1
6	JMGW1410	Rear Wheel Hub Motor Assy 1000W	1
7	JMGW1411	Rear Brake Disc	1
8	JMGW1412	Rear Shock Absorber Assembly	2
9	JMGW1413	Bearing Plug Cover	2
10	JMGW1414	Foot Peg LH	1
11	JMGW1415	Foot Peg RH	1
12	JMGW1416	Rear Fork Bushing/Sleeve	2
13	JMGW1482	Kick Stand Assembly	1