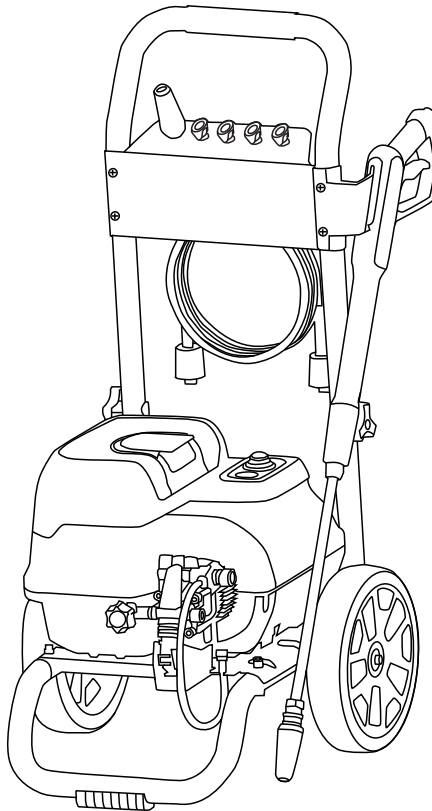


greenworks®

5121502AU
5121507AU

EN PRESSURE WASHER

OPERATOR MANUAL



E8038

Greenworks Australia
A Division Jak Max P/L
380 Foley's Road Derrimut
Victoria, Australia 3026

www.greenworksaustralia.com

PWC401

1	Description.....	2	8.9	Connect the water supply to the machine	7
1.1	Intended use.....	2	8.10	Install the self-siphon hose.....	7
1.2	Overview.....	2	8.11	Install the battery.....	8
2	Safety definitions.....	2	9	Operation.....	8
3	General power tool safety warnings.....	2	9.1	Start the product.....	8
4	Symbols on the product.....	3	9.2	Stop the product.....	9
5	Battery disposal.....	4	9.3	Use the detergent hose	9
6	Risk levels.....	4	9.4	Use the spray gun.....	9
7	Recycle.....	4	9.5	Energy saving function.....	10
8	Installation.....	4	9.6	Change the spray tip.....	10
8.1	Unpack the product.....	4	10	Maintenance.....	10
8.2	Install the upper panel and spray gun holder.....	4	11	Use the pump protector.....	11
8.3	Install the hose hook.....	4	11.1	Spray tip maintenance.....	11
8.4	Install the upper handle.....	5	12	Transportation and storage....	11
8.5	Install the spray wand.....	5	12.1	Move the product.....	12
8.6	Install the spray tip.....	5	12.2	Store the product.....	12
8.7	Install the air release valve.....	6	13	Troubleshooting.....	13
8.8	Install the high pressure hose.....	6	14	Technical data.....	14
			15	Warranty.....	14

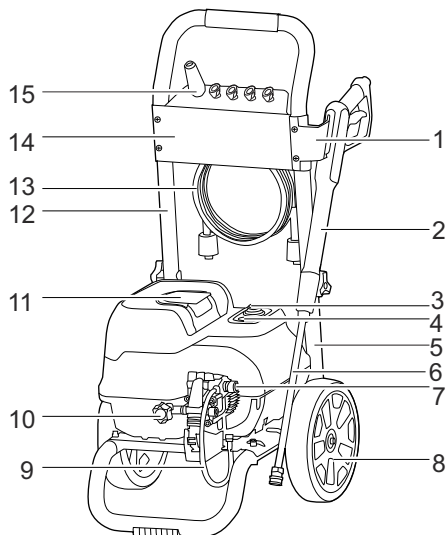
1 DESCRIPTION

1.1 INTENDED USE

The product is used to clean vehicles, boats, buildings, porches, decks, patios and driveways.

For residential use only, not for professional use. Operate the product at temperature above 32°F (0°C).

1.2 OVERVIEW



- | | |
|--------------------|-----------------------|
| 1 Spray gun holder | 9 Detergent hose |
| 2 Spray gun | 10 Water inlet |
| 3 Switch | 11 Battery lid |
| 4 Membrane switch | 12 Upper handle |
| 5 Lower handle | 13 High pressure hose |
| 6 Spray wand | 14 Upper panel |
| 7 Water outlet | 15 Nozzle |
| 8 Wheel | |

2 SAFETY DEFINITIONS

Warnings, cautions, and notes are used to point out especially important parts of the manual.

▲ WARNING

Used if there is a risk of injury or death for the operator or bystanders, if the instructions in the manual are not obeyed.

▲ CAUTION

Used if there is a risk of damage to the product, other materials, or the adjacent area, if the instructions in the manual are not obeyed.

Note: Used to give more information that is necessary in a given situation.

3 GENERAL POWER TOOL SAFETY WARNINGS

▲ WARNING

Read all safety warnings and all instructions. Failure to follow the warnings and instructions may result in electric shock, fire and/or serious injury.

- Read all the instructions before using the product.
- To reduce the risk of injury, close supervision is necessary when a product is used near children.
- Know how to stop the product and bleed pressures quickly. Be thoroughly familiar with the controls.
- Stay alert – watch what you are doing.
- Do not operate the product when fatigued or under the influence of alcohol or drugs.
- Keep operating area clear of all persons.
- Do not overreach or stand on unstable support. Keep good footing and balance at all times.
- Follow the maintenance instructions specified in the manual.

▲ WARNING

Risk of Injection or Injury– Do Not Direct Discharge Stream At Persons.

- Prevent unintentional starting. Ensure the switch is in the off-position before connecting to battery pack, picking up or carrying the appliance. Carrying the appliance with your finger on the switch or energizing the appliance that has the switch on invites accidents.
- Disconnect the battery pack from the appliance before making any adjustments, changing accessories, or storing appliance. Such preventive safety measures reduce the risk of starting the appliance accidentally.
- Recharge only with the charger specified by the manufacturer. A charger that is suitable for one type of battery pack may create a risk of fire when used with another battery pack.
- Use appliances only with designated battery packs. Use of any other battery packs may create a risk of injury and fire.
- When battery pack is not in use, keep it away from other metal objects, like paper clips, coins, keys, nails, screws or other small metal objects, that can make a connection from one terminal to another.

Shorting the battery terminals together may cause burns or a fire.





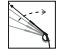






- Under abusive conditions, liquid may be ejected from the battery; avoid contact. If contact accidentally occurs, flush with water. If liquid contacts eyes, additionally seek medical help. Liquid ejected from the battery may cause irritation or burns. (This advice is considered correct for conventional NiMH, NiCd, lead acid and lithium-ion cell types. If this advice is incorrect for a cell design that differs from these, then the correct advice may be substituted.)
- Do not use a battery pack or appliance that is damaged or modified. Damaged or modified batteries may exhibit unpredictable behavior resulting in fire explosion or risk of injury.
- Do not expose a battery pack or appliance to fire or excessive temperature. Exposure to fire or temperature above 130°C (265°F) may cause explosion.
- Follow all charging instructions and do not charge the battery pack or appliance outside of the temperature range specified in the instructions. Charging improperly or at temperatures outside of the specific range may damage the battery and increase the risk of fire.
- Have servicing performed by a qualified repair person using only identical replacement parts. This will ensure that the safety of the product is maintained.
- Do not modify or attempt to repair the appliance or the battery pack (as applicable) except as indicated in the instructions for use and care.
- The recommended ambient temperature range:

Item	Temperature
Appliance storage temperature range	32°F (0°C) - 113°F (45°C)
Appliance operation temperature range	32°F (0°C) - 113°F (45°C)
Battery charging temperature range	39°F (4°C) - 113°F (40°C)
Charger operation temperature range	39°F (4°C) - 113°F (40°C)
Battery storage temperature range	32°F (0°C) - 113°F (45°C)
Battery discharging temperature range	32°F (0°C) - 113°F (45°C)

- Save these instructions. Refer to them frequently and use them to instruct other users. If you lend someone this product, lend them these instructions also.

4 SYMBOLS ON THE PRODUCT

Some of the following symbols may be used on this tool. Please study them and learn their meaning. Proper interpretation of these symbols will allow you to operate the tool better and safer.




Symbol	Explanation
	To reduce the risk of injury, user must read and understand operator's manual before using this product.
	Do not expose the product to rain or moist conditions.
	Wear eye protection.
	To reduce the risk of injection or injury, never direct a water stream towards people or pets or place any body part in the stream. Leaking hoses and fittings are also capable of causing injection injury. Do not hold hoses or fittings.
	To reduce the risk of injury from kickback, hold the spray lance securely with both hands when the machine is on.
	Failure to use in dry conditions and to observe safe practices can result in electric shock.
	Fuel and its vapours are explosive and can cause severe burns or death.
	Warning! Never point the gun to human, animals, the machine body, power supply or any electric appliances.
	Appliance not suitable for connection to the drinking water mains without backflow preventer.
	Only use cleaning deck on flat, horizontal surfaces. Never lift cleaning deck from the cleaning surface while operating the pressure washer.
	Keep hands and feet away from the cleaning deck while the pressure washer is running.

5 BATTERY DISPOSAL




Greenworks Australia is a member of the B-Cycle Battery Recycling Program. Please dispose of your batteries responsibly and ethically. For more information on where to recycle your old batteries - please visit our website greenworksaustralia.com or ecobatt.net/drop-off-locations.

6 RISK LEVELS

The following signal words and meanings are intended to explain the levels of risk associated with this product.

SYMBOL	SIGNAL	MEANING
	DANGER	Indicates an imminently hazardous situation, which, if not avoided, will result in death or serious injury.
	WARNING	Indicates a potentially hazardous situation, which, if not avoided, could result in death or serious injury.
	CAUTION	Indicates a potentially hazardous situation, which, if not avoided, may result in minor or moderate injury.
	CAUTION	(Without Safety Alert Symbol) Indicates a situation that may result in property damage.

7 RECYCLE

	Separate collection. You must not discard with usual household waste. If it is necessary to replace the product, or if it is no more use to you, do not discard it with household waste.
	Separate collection of used product and packaging let you recycle materials and use them again. Use of the recycled materials helps prevent environmental pollution and decreases the requirements for raw materials.
Batteries 	At the end of their useful life, discard batteries with a precaution for our environment. The battery contains material that is dangerous to you and the environment. You must remove and discard these materials separately at a location that accepts lithium-ion batteries.

8 INSTALLATION

8.1 UNPACK THE PRODUCT

▲ WARNING

Make sure that you correctly assemble the product before use.

▲ WARNING

- If parts of the product are damaged, do not use the product.
- If parts are missing, do not operate the product.
- If parts are damaged or missing, contact the service center.

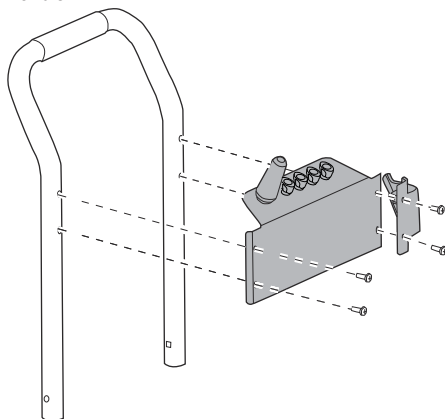
1. Open the package.
2. Read the documentation provided in the box.
3. Remove all the unassembled parts from the box.
4. Remove the product from the box.
5. Discard the box and packing material in compliance with local regulations.

▲ WARNING

For your personal safety, do not power on before the product is assembled completely.

8.2 INSTALL THE UPPER PANEL AND SPRAY GUN HOLDER

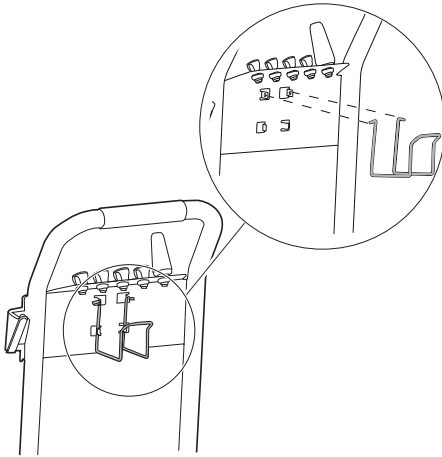
1. Align the screw sleeves of the front panel and spray gun holder with the screw holes on the upper handle.



2. Tighten them with a Phillips screwdriver (not included).

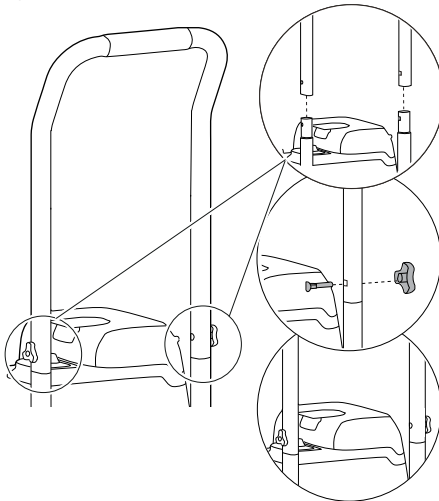
8.3 INSTALL THE HOSE HOOK

1. Push the hose hook ends into the clips behind the upper panel tightly .



8.4 INSTALL THE UPPER HANDLE

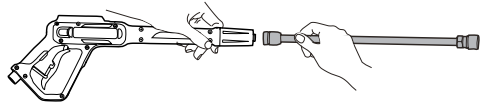
1. Align the holes on the upper handle and the lower handle.
2. Insert the handle bolts and use the handle knobs to tighten them.



8.5 INSTALL THE SPRAY WAND

Note: Before installing the spray wand, you should turn on the water, and then push the trigger safety lock-out up on the spray gun and squeeze the trigger to purge pump system of air and impurities.

Push the end of the spray wand into the trigger handle and tighten by hand.



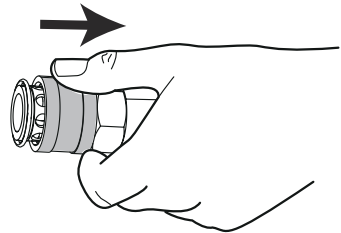
Note: Pull on the spray wand to be certain it is properly secured.

▲ WARNING

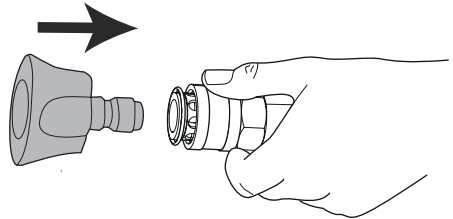
Make sure that the connection has no leakage.

8.6 INSTALL THE SPRAY TIP

1. Pull back and hold the quick-connect collar on the spray wand.








2. Insert the spray tip onto the spray wand.



3. Release the quick-connect collar to attach the spray tip.

Note: Pull on spray tip to ensure it is properly installed and is not pull out.

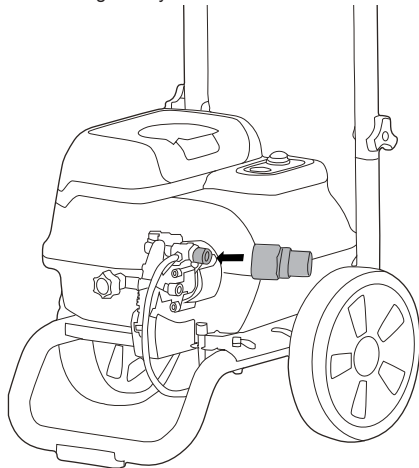
8.6.1 NOZZLE TYPE

SPRAY TIP	APPLICATION
	<p>Yellow - Narrow fan tip (15°)</p> <ul style="list-style-type: none"> The Yellow pressure washer tip provides the most pressure with its 15-degree angle tip. It provides adequate pressure to remove dirt from surfaces, typically used for surface preparation such as removing dirt, mildew or paint, and can be used for a wide variety of cleaning applications. The small angle still causes a high pressure which needs to be used carefully with gentle surfaces.
	<p>Green - Narrow fan tip (25°)</p> <ul style="list-style-type: none"> The green pressure washer tip provides high versatility with its 25 degree angle tip. Referred to as the washing tip, because it provides adequate pressure to remove dirt from surfaces, but is designed to not damage many surfaces. This pressure washer tip is designed for washing fences given its wide angle. This tip is versatile due to its wide area of cleaning and strong pressure application.
	<p>White - Wide fan tip (40°)</p> <ul style="list-style-type: none"> The white 40 degree tip, referred to as the "fan" tip creates the widest area of cleaning with relatively low pressure. This pressure washer tip is best used for delicate cleaning applications. It is recommended for delicate surfaces and cleaning on cars.
	<p>Black - Soap spray tip</p> <ul style="list-style-type: none"> The black soap spray tip, is used for soap application. Soap is applied under low pressure high volume for optimum performance. Soap cannot be applied under high pressure with this machine.
	<p>Turbo nozzle tip</p> <ul style="list-style-type: none"> The nozzle rotates in a zero to 15 degree spray pattern in a circular motion to break down tough dirt and grime. The spray pattern can cover area of 4 to 8 inches wide, depending on a distance between the tip and the surface being cleaned.

8.7 INSTALL THE AIR RELEASE VALVE

Note: Use air release valve when using siphon tube.

- Before installing the included high pressure hose, place the air release valve onto the pressure washer outlet and tighten by hand.

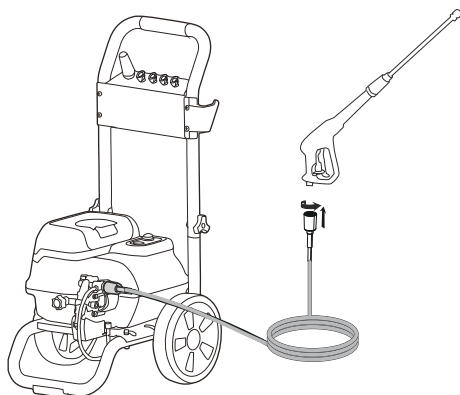


- Or directly connect the high pressure hose to the water outlet, when not using the siphon hose.

▲ WARNING

Water exiting the air release valve is normal. This valve bleeds air from the pump and will enable the siphon function.

8.8 INSTALL THE HIGH PRESSURE HOSE



1. Uncoil the high pressure hose and attach the end of hose to base of spray gun. Tighten by hand.
2. Attach the other end of the high pressure hose to the high pressure outlet on pump. Tighten by hand.

8.9 CONNECT THE WATER SUPPLY TO THE MACHINE

For easy operation, please use a self-coiling garden hose (not provided).

▲ WARNING

When you operate the self-coiling hose, make sure that the hose has no blockage.

▲ WARNING

- The water supply must come from the water main
- Do not use hot water
- Do not use water from ponds or lakes

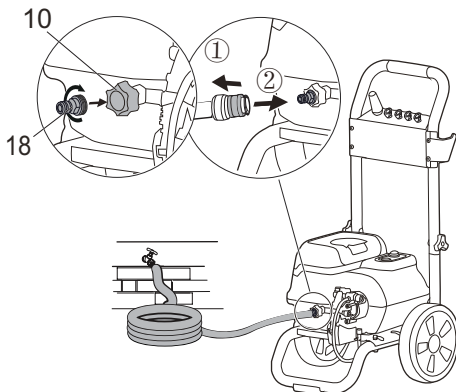
▲ WARNING

Always observe all the local regulations when you connect the garden hose to the water supply. Direct connection through a receiver tank or backflow preventer is usually permitted.

▲ CAUTION

Inspect the filter in the water inlet connector before you connect the garden hose

- If the filter is damaged, do not use the machine until the filter is replaced.
- If the filter is dirty, clean the filter.



1. Uncoil the garden hose (not included).
2. Let the water flow through the garden hose for 30 seconds.
3. Turn the water supply off.

4. Insert and turn the quick connector adapter (18) clockwise to the water inlet
5. Install the end of the garden hose to the quick connector adapter (18).

▲ CAUTION

There must be a minimum of 10 feet of free hose between the water inlet and the water supply.

i NOTE

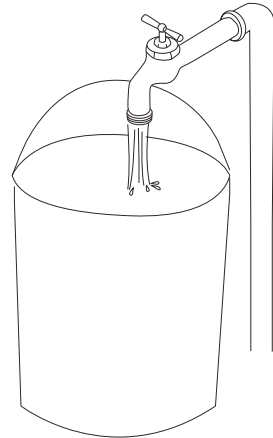
It is recommended to install quick connector adapter to the both ends of the garden hose for a more stable connection and to prevent water from leaking.

8.10 INSTALL THE SELF-SIPHON HOSE

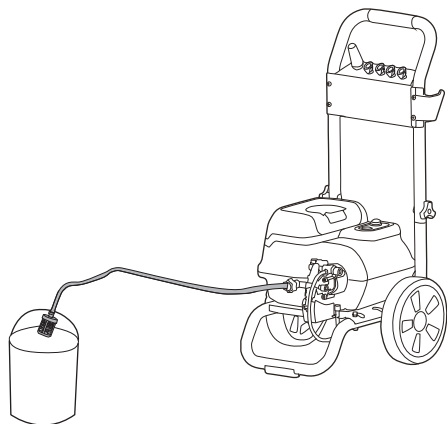
Note:

- *The pressure washer can absorb water from water buckets and containers and from flushing or stagnant bodies of water.*
- *Exhaust the siphon hose for 30 seconds before installing the spray tip when using the siphon function.*

1. Add water to the bucket.



2. Insert one end of the self-siphon hose into the water inlet coupler. And put the other end of the self-siphon hose into the bucket (not included).



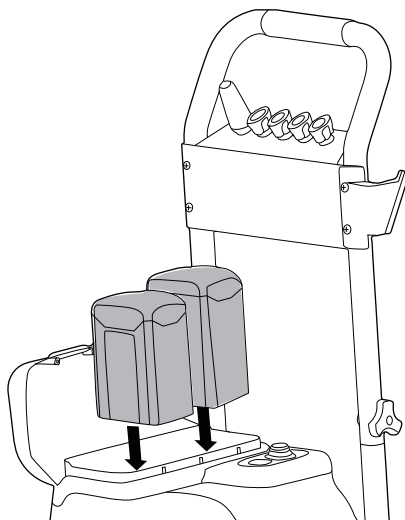
Note: When you use the self-siphon hose, you should notice the below instructions:

- The vertical height of the self-siphon hose can't exceed 4 ft.
- The internal self-siphon hose size is 0.03 ft (10 mm) - 0.04 ft (12 mm).
- A filter should be installed at the end of the self-siphon hose into the bucket.

8.11 INSTALL THE BATTERY

Note:

- If the battery or charger is damaged, replace the battery or the charger.
 - Stop the product and wait until the engine stops before you install or remove the battery.
 - Read, know, and follow the instructions in the battery and charger manual.
1. Open the battery lid.
 2. Align the ribs on the batteries with the grooves in the battery compartment.
 3. Push the batteries into the battery compartment until the batteries lock into place.



4. When you hear a click, the batteries are installed.
5. Close the battery lid.

Note: You can insert one battery or two batteries to start the machine.

9 OPERATION

▲ WARNING

Make sure that all the connections are tight and have no leakage before operation.

9.1 START THE PRODUCT

▲ CAUTION

Do not operate without the water supply connected.

▲ CAUTION

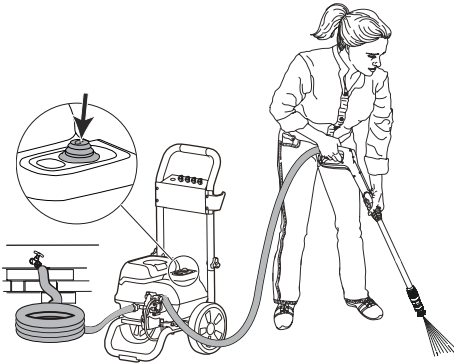
Water exiting the water outlet as the pressure washer primes is normal. This is needed to bleed the air from the system.

▲ CAUTION

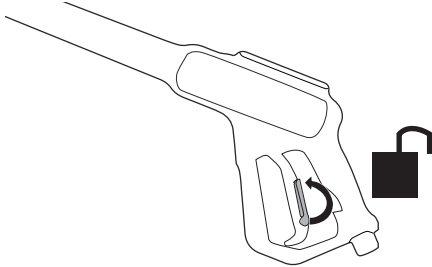
Before you start the product:

1. Turn the water supply on.
2. Pull the gun trigger to release air pressure.
3. If a stable stream of water comes into view, release the spray gun trigger.

1. Install battery as previously described.
2. Turn the water supply on.
3. Press the switch once to start the product.



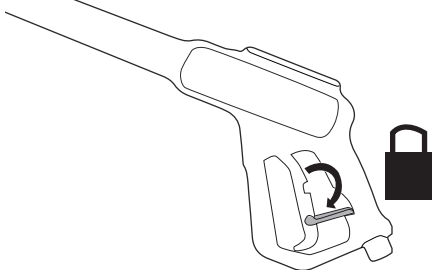
4. Push the trigger safety lock-out up.



5. Pull and hold the spray gun trigger to start the product.

9.2 STOP THE PRODUCT

1. Release the spray gun trigger.
2. Push the trigger safety lock-out down until it clicks into the slot.



3. Press the switch, once again, to stop the product.

▲ WARNING

If you do not use the product :

- Stop the product.
- Turn the water supply off.
- Remove the battery.
- Pull the spray gun trigger to release the remaining pressure from the product.
- Engage the trigger safety lock-out on the spray gun.

9.3 USE THE DETERGENT HOSE



▲ CAUTION

Before you start the machine:

1. Turn the water supply on.
2. If a stable stream of water come into view, release the spray gun trigger.
3. Pull the gun trigger to release air pressure.

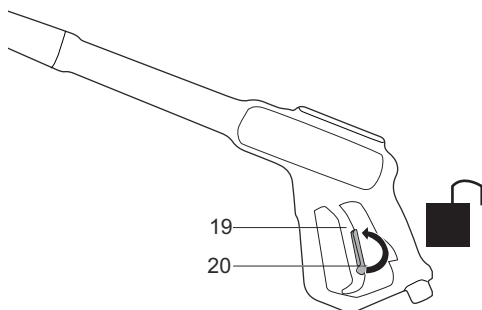
1. Connect the product to the power supply.
2. Open the lid of the soap tank. Place the lid on the ground.
3. Put the detergent hose into the soap tank.
4. Change into the soap spray tip.
5. Press down the switch once to start the product.
6. Turn the water supply on.
7. Pull the spray gun trigger.

9.4 USE THE SPRAY GUN

▲ WARNING

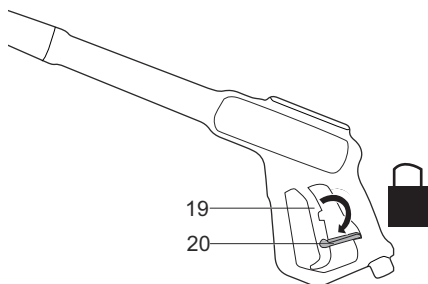
For safe control, keep your hands on the spray gun at all times.

9.4.1 UNLOCK THE SPRAY GUN TRIGGER



1. Push the trigger safety lock-out (20) up and into its original position.
2. Pull and hold the spray gun trigger (19) to start the machine.

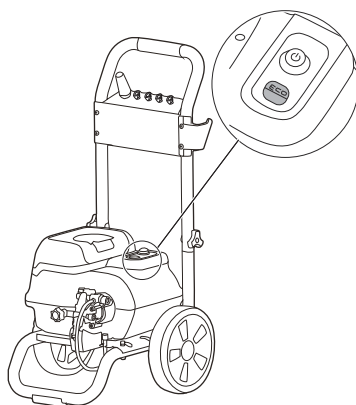
9.4.2 LOCK THE SPRAY GUN TRIGGER



1. Release the spray gun trigger (19) to stop water flow through the spray tip.
2. Push the trigger safety lock-out (20) down until it clicks into the slot.

9.5 ENERGY SAVING FUNCTION

The ECO membrane button is an energy saving button for the pressure washer. This button will help to increase usage time by reducing power.



9.6 CHANGE THE SPRAY TIP

▲ WARNING

Before you change the spray tip:

1. Pull the spray gun trigger to release water pressure.
2. Engage the trigger safety lock-out on the spray gun.
3. Stop the machine.
4. Change the spray tip.

▲ WARNING

Do not point the spray wand at your face or others'.

10 MAINTENANCE

▲ WARNING

Before maintenance, make sure that you

- Stop the machine.
- Wait until all the moving parts stop.
- Disconnect the plug from the power source.

▲ WARNING

Do not use strong solvents or detergents on the plastic housing or components.

▲ WARNING

Do not let brake fluids, gasoline, petroleum-based materials touch the plastic parts. Chemicals can cause damage to the plastic, and make the plastic unserviceable.

▲ WARNING

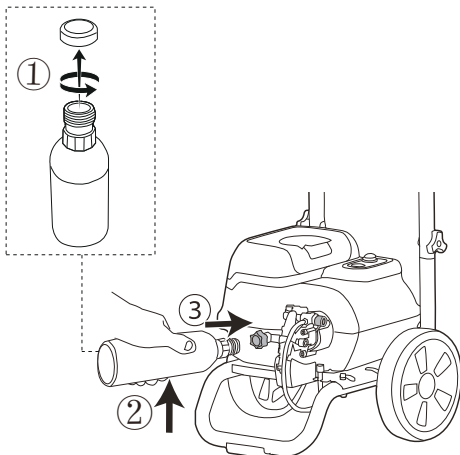
Replace the power cord by an approved service center.

11 USE THE PUMP PROTECTOR

- Regular use of pump protector (not included) can prolong the life of the product by removing hard water mineral deposits, lubricating pump seals and pistons, and preventing freeze damage.
- To maintain the best performance from the product, pump protector should be added to the product after every use and before long term storage.

Note: The following steps are typical for adding pump protector to the product. Always read the specific instructions provided by the manufacturer of the pump protector used before starting.

1. Turn the water tap off and set the ON/OFF switch to OFF.
2. Press the trigger for approximately 1 minute or until no more water escapes from the connected accessory.
3. Remove the batteries from the battery compartment.
4. Disconnect the hose from the water inlet .
5. Remove the lid from pump protector bottle and then insert the pump protector bottle into the water inlet.
6. Turn the water inlet sleeve to secure the connection.
7. Squeeze the pump protector bottle to inject protector fluid into product.



Note: The product is protected when the protector fluid exits the water outlet.

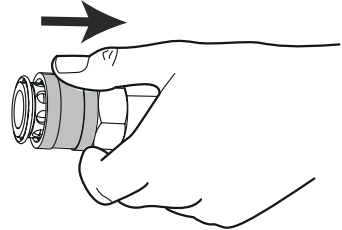
11.1 SPRAY TIP MAINTENANCE

▲ WARNING

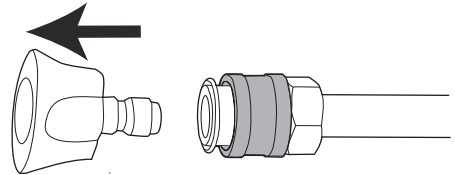
Never point the spray wand at your face.

11.1.1 REMOVE THE SPRAY TIP

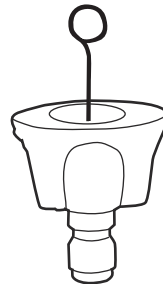
1. Pull back and hold the quick-connect collar on the spray wand.



2. Remove the spray tip from the spray wand.



11.1.2 CLEAN THE SPRAY TIP



1. Use a straight paper clip or cleaning tool to clean the spray tip.
2. Flush and clean the unwanted materials out of the spray tip with the garden hose.

12 TRANSPORTATION AND STORAGE

▲ WARNING

Disconnect the power cord and water supply hose before transportation and storage.

12.1 MOVE THE PRODUCT

- Point the spray wand in a safe direction.
- Only hold the product with the handgrip.

12.2 STORE THE PRODUCT

▲ WARNING

Make sure that the spray gun, the high pressure hose and the product are dry.

▲ WARNING

Make sure the product is out of the reach of children.

- Disconnect the garden hose from product.
- Wind the high pressure hose.
- Clean housing and the plastic components with a moist and soft cloth.
- Make sure that the product does not have loose or damaged parts. If it is necessary, follow these steps/instructions:
 - Replace the damaged parts.
 - Tighten the bolts.
 - If needed, call the customer service phone number for servicing instructions.
- Store the product in a dry, isolated and frost-free area.

13 TROUBLESHOOTING

PROBLEM	POSSIBLE CAUSE	SOLUTION
The motor does not start.	You do not install the battery.	Install two batteries with full power.
	The power switch is on, but you do not pull the spray gun trigger.	Pull the spray gun trigger.
The product does not reach high pressure.	The diameter of garden hose is too small.	Replace with a 1" (25 mm) or 5/8" (16 mm) garden hose.
	Water supply is restricted.	Check garden hose for kinks, leaks, and blockage.
	The water supply is not sufficient.	Open the water supply fully.
	Spray tip has not be installed onto the spray wand properly.	Install desired spray tip to end of wand.
	The water intake filter is clogged.	Remove filter and rinse in warm water and then reinstall it.
The output pressure varies high and low.	The water supply is not sufficient.	Open water supply fully. Check garden hose for kinks, leaks, or blockage.
	The pump is drawing in air.	<ol style="list-style-type: none"> 1. Make sure that the hoses and fitting are airtight. 2. Turn "OFF" product. 3. Purge pump by squeezing trigger gun until a stead flow of water comes out the spray tip.
	The water intake filter is clogged.	Remove the filter and rinse in warm water.
	The battery is out of power.	Charge the battery.
	The gun, hose or nozzle are calcified.	Run distilled vinegar through detergent tank.
The motor buzzes, but the product does not start.	The battery is out of power.	Charge the battery.
	The pump system has residual pressure.	<ol style="list-style-type: none"> 1. Turn "OFF" the product. 2. Pull the spray gun trigger on spray wand to release pressure. 3. Turn the product "ON".
	Pressure washer not used for long periods.	Call customer service.
	Residual friction among components. Unit might emit a humming noise.	<ol style="list-style-type: none"> 1. Disconnect the water supply. 2. Power "ON" the product for 2 to 3 seconds. 3. Repeat the above steps a couple of times or until the motor starts.
There is no water.	The water supply is off.	Turn the water supply on.
	The garden hose is kinked.	Remove kink in garden hose.
	The water intake filter is clogged.	Remove filter and rinse in warm water and then reinstall it.

14 TECHNICAL DATA

Rated Voltage	DC 60V
Rated Pressure	3625 PSI
Permissible Pressure	2900 PSI
Power Rating	1800 W
Rated Water Flow	4.5l/min
Maximum Water Flow	7l/min
Maximum Pressure in ECO Mode	2200 PSI
Maximum Flow in ECO Mode	6.8 l/min
Power Rating in ECO Mode	1300W
Maximum Inlet Water Temperature	104 °F (40 °C)
Maximum Water Inlet Pressure	100 PSI
IPX	IPX5
Battery model	G60B4, G60B5 and other BAC series
Charge model	CAC830 and other CAC series

15 WARRANTY

(The full warranty terms and conditions can be found on Greenworks website www.greenworksaustralia.com)

The Greenworks warranty is 4 years on the product, and 2 years on batteries and chargers (consumer/private usage) from the date of purchase. This warranty covers manufacturing faults. A faulty product under warranty might be either repaired or replaced. A unit that has been misused or used in other ways than described in the owner's manual might be rejected for warranty. Normal wear, and wear parts are not considered as warranty. The original manufacturer warranty is not affected by any additional warranty offered by a dealer or retailer.

A faulty product must be returned to the point of purchase in order to claim for warranty, together with the proof of purchase (receipt).

Our goods come with guarantees that cannot be excluded under the Australian Consumer Law. You are entitled to a replacement or refund for a major failure and compensation for any other reasonably foreseeable loss or damage. You are also entitled to have the goods repaired or replaced if the goods fail to be of acceptable quality and the failure does not amount to a major failure.

greenworks[®]

www.greenworksaustralia.com

