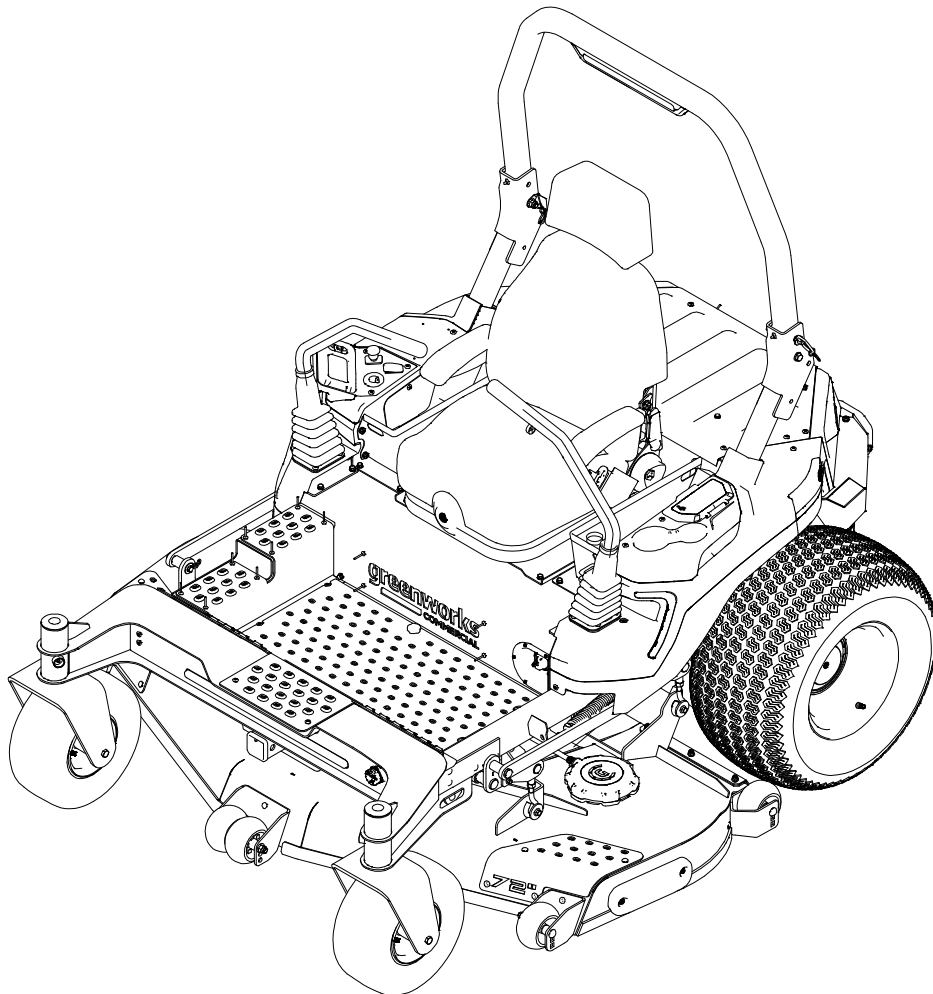


# greenworks<sup>®</sup>

## COMMERCIAL


### 82V 72IN Ride-on Mower

Model No. OZ972R



Parts Manual with torque specifications  
**TOLL-FREE HELPLINE: 1-855-470-4267**  
[www.greenworksaustralia.com](http://www.greenworksaustralia.com)

---

 Read all safety rules and instructions carefully before operating this tool.

# CONTENTS

## LABELS

LABELS-WARNING/SAFETY .....	15
LABELS-BRAND/MODEL .....	16
LABELS-FUNCTION .....	17

## BODY AND STRUCTURES

FRAME ASSEMBLY .....	21
SIDE CONSOLES AND PROTECTIVE PARTS .....	28
ROPS ASSEMBLY .....	29

## ELECTRICAL SYSTEM

BATTERY AND CHARGER PARTS .....	31
CONTROLLERS AND BOX PARTS .....	32
WIRE HARNESS .....	33
SWITCHES & METER PARTS .....	35
LIGHTS PARTS .....	39

## DECK SYSTEM

DECK, MOTORS, BLADES PARTS .....	41
DECK ASSEMBLY 72" .....	42
DECKLIFT ASSEMBLY .....	45

## DRIVE SYSTEM

WHEELS ASSEMBLY .....	51
DRIVE MOTOR AND TRANSMISSION PARTS .....	55

## OPERATOR SYSTEM

SEAT .....	61
CONTROL HANDLE GENERAL ASSEMBLY .....	63
RIGHT OPERATION ASSEMBLY .....	64
LEFT OPERATION ASSEMBLY .....	65

**NOTE:** ILLUSTRATIONS MAY OR MAY NOT REPRESENT THE ACTUAL ASSEMBLIES AND IT IS NOT RECOMMENDED TO USE THIS MANUAL AS A GUIDE TO ASSEMBLE OR DISASSEMBLE THE MOWER.

# LABELS-WARNING/SAFETY



15-01



15-02



15-03

Made in P.R.C.

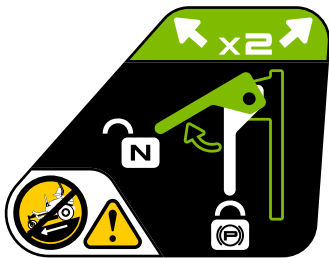
**CAUTION:** To reduce the risk of injury or electric shock do not remove any cover. No user serviceable parts inside. Refer servicing to qualified service personnel.

**DANGER:** Store idle ride-on mower indoors. Use only with charger listed in operator's manual or 2960907AU.

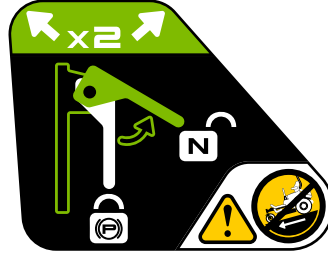
**WARNING:** Store indoors only, avoid direct sunshine, moisture or water.

Greenworks Australia  
A Division Jak Max P/L  
380 Foley's Road Derrimut Victoria,  
Australia 3026

15-04



15-05A



15-05B

**greenworks** COMMERCIAL

Greenworks Australia  
A Division Jak Max P/L  
380 Foley's Road Derrimut  
Victoria, Australia 3026

ROPS MODEL: C117780-00  
WEIGHT: 2425LBS/1100KG  
FOR USE ON GREENWORKS COMMERCIAL PRODUCTS  
IN CONFORMANCE WITH ISO 21299:2009 FOR ENERGY  
ABSORBING ROPS REQUIREMENTS

15-06



15-07



15-08

**DANGER**

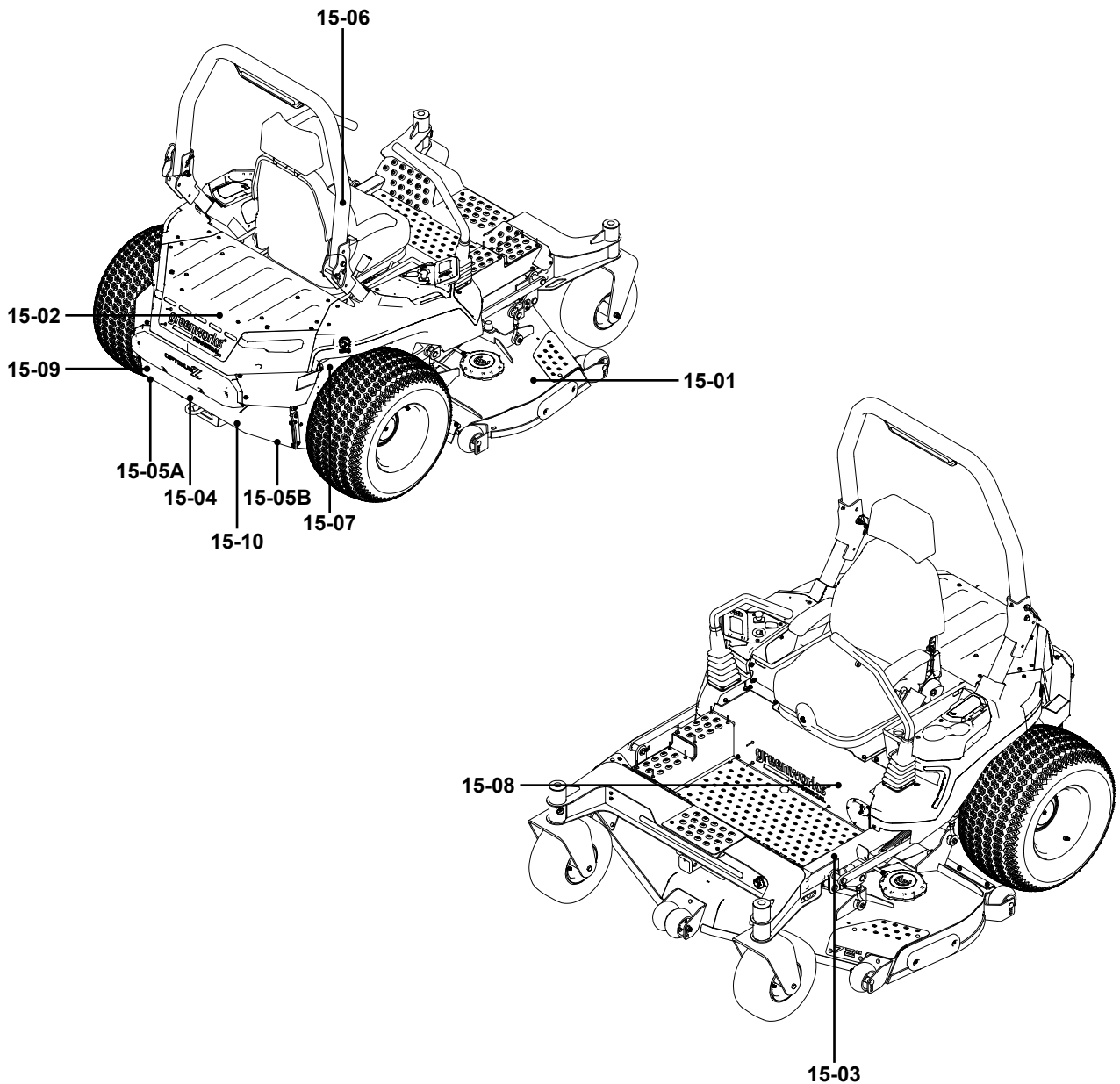
Never start the Vehicle when the wheel bypass levers are in the outward and downward position.  
Never move the levers to the outward and downward position when the Vehicle is on a slope.

15-09

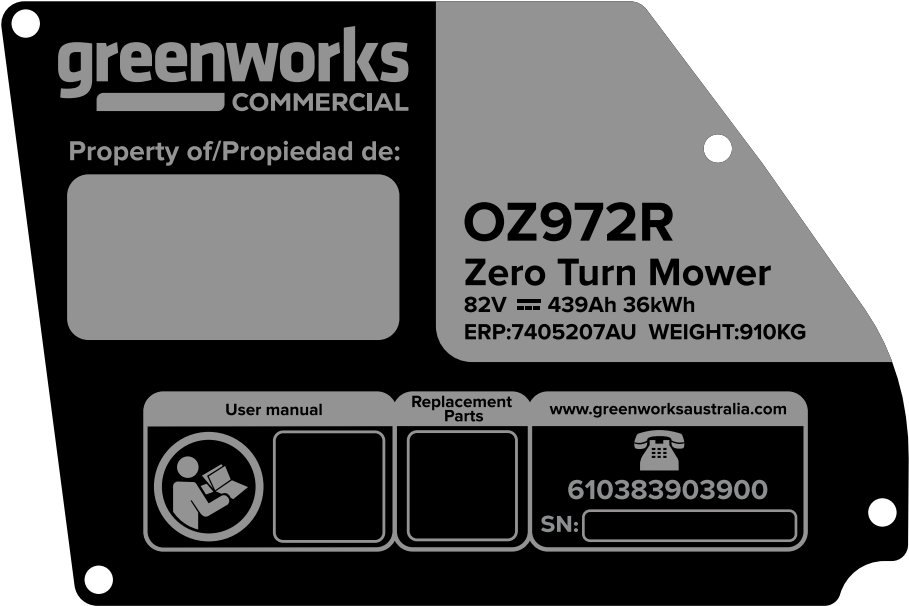


15-10

ITEM NO.	PART NO.	DESCRIPTION	QTY
15-01	R0103843-00	Keep H/F Away	1
15-02	R0209505-00	No Standing Label	1
15-03	R0209506-00	Warning Icon Label	1
15-04	R0105289-00	AU Warning Label	1
15-05A	R0209509-00	Brake Warning Label (Right)	1
15-05B	R0209508-00	Brake Warning Label (Left)	1
15-06	R0209511-00	GND Warning Label	1
15-07	R0209512-00	Service Switch Warning Label	1
15-08	R0105290-00	ROPS Warning Label	1
15-09	R0211809-00	Wheel Bypass Lever Warning Label, EN	1
15-10	R0103846-00	105dB Noise Label	1

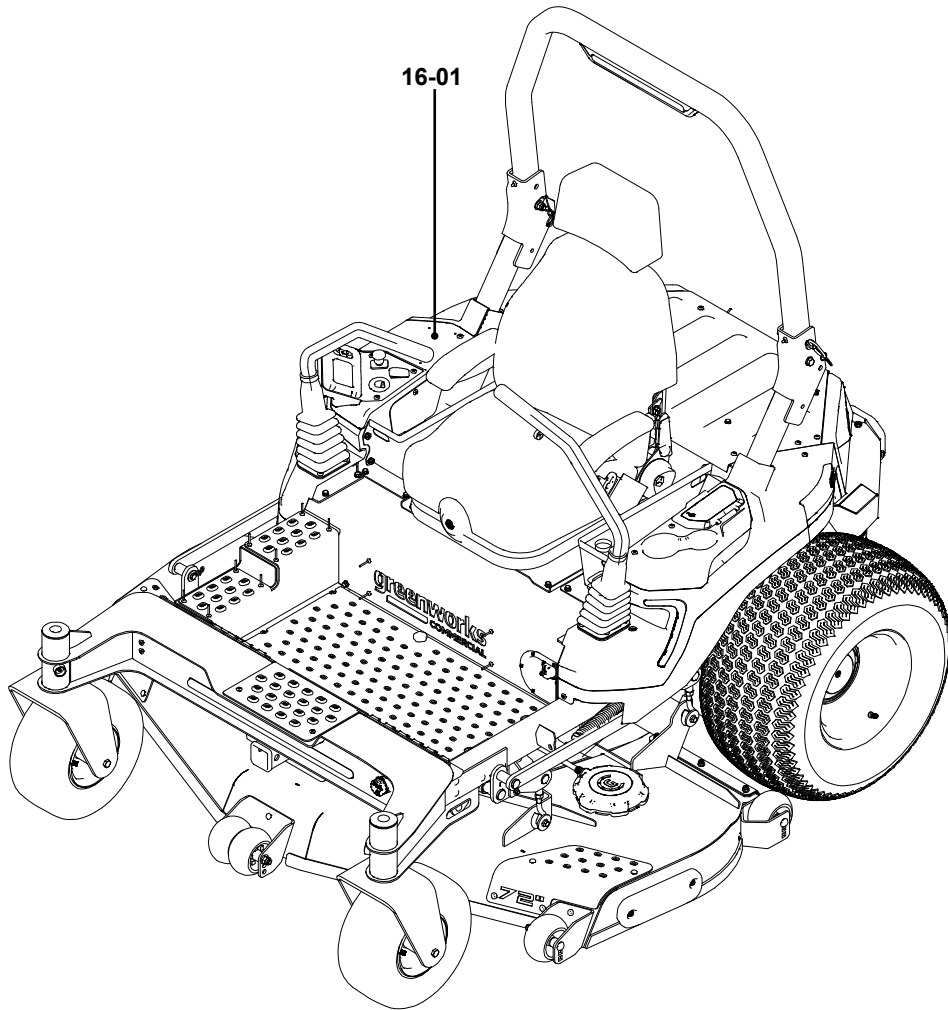


# LABELS-BRAND/MODEL



16-01

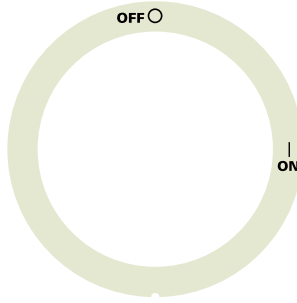
ITEM NO.	PART NO.	DESCRIPTION	QTY
16-01	R0105288-00	7405207AU OZ972R Data Label	1
16-02	R0205084-00	Rivet, $\Phi 4 \times 8$	4



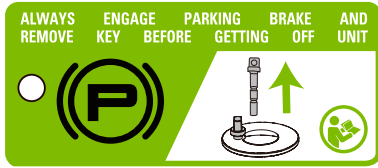
# LABELS-FUNCTION



17-01



17-02



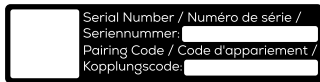
17-03



17-05



17-06

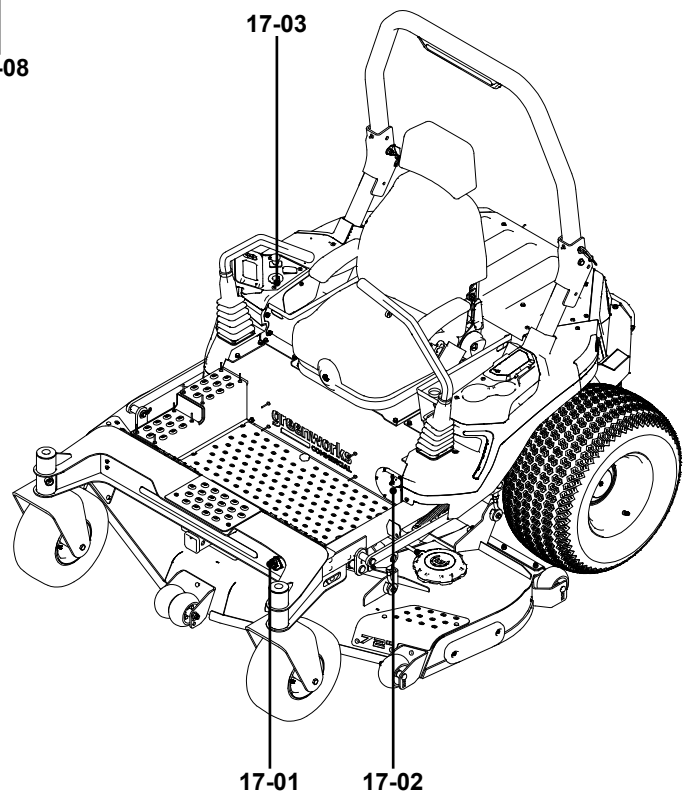
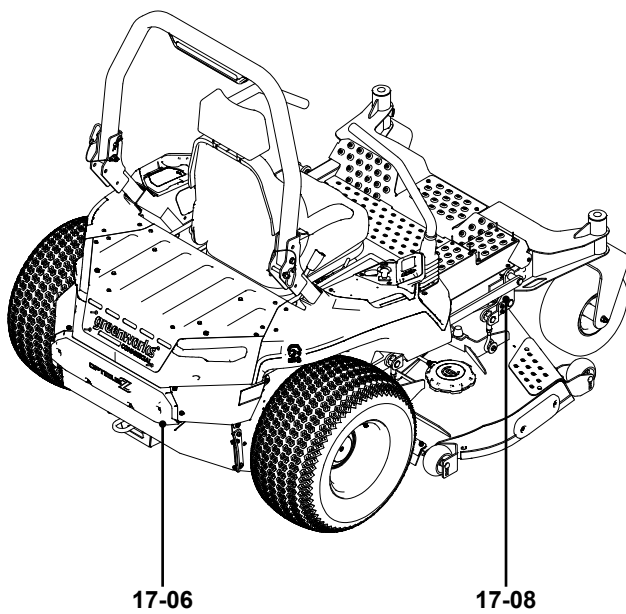


17-07

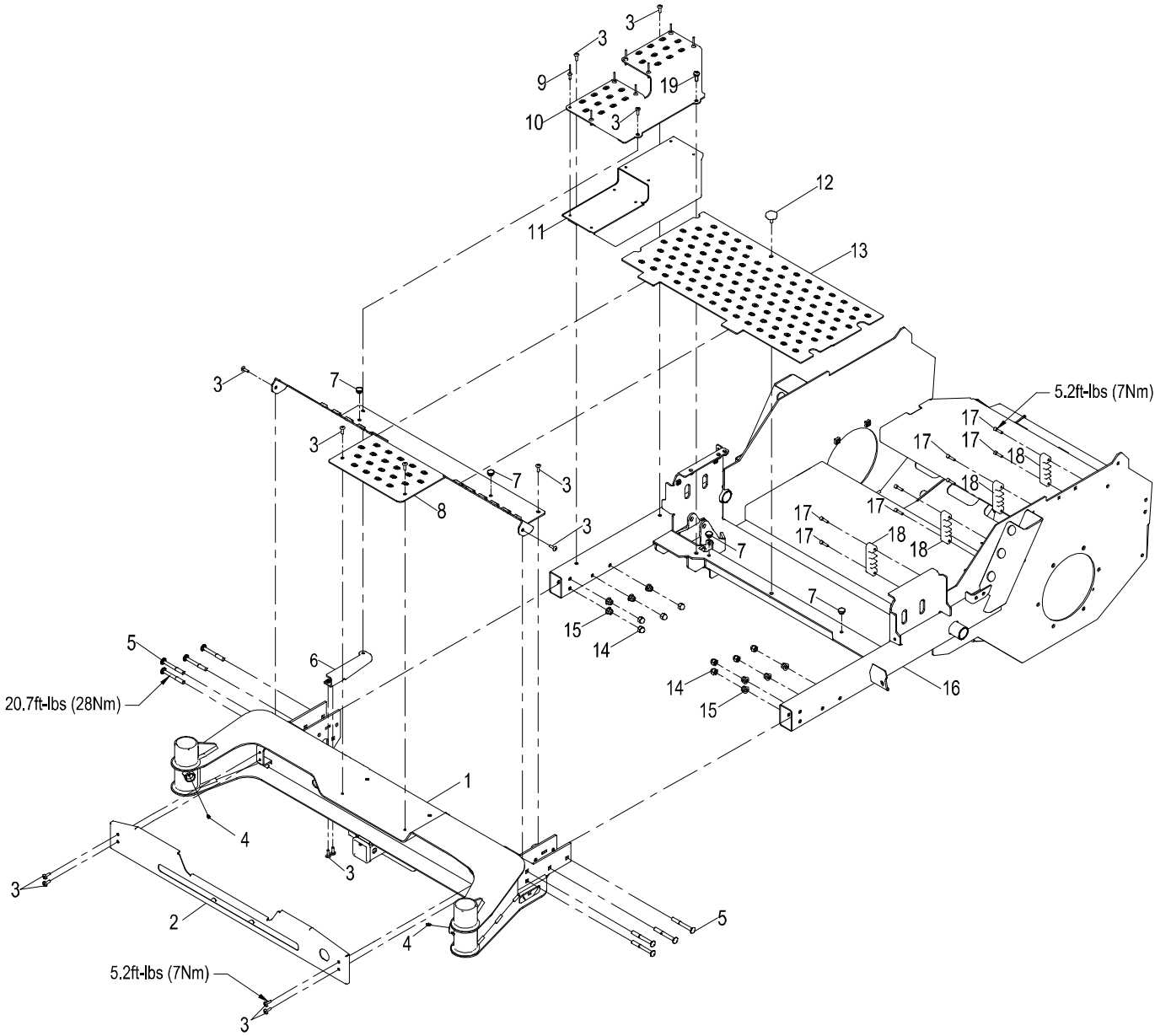


17-08

ITEM NO.	PART NO.	DESCRIPTION	QTY
17-01	R0204915-00	GWC ETO Label	1
17-02	R0209630-00	Service Switch ON/OFF Label	1
17-03	R0103243-00	Key Label	1
17-04	R0103364-00	Key Label Clip	1
17-05	R0210640-00	Label, APP Pairing Code	1
17-06	R0208476-00	Label, SN	1
17-07	R0211180-00	Battery Cover Label, SN	1
17-08	R0105265-00	Manufacturing Date Label	1

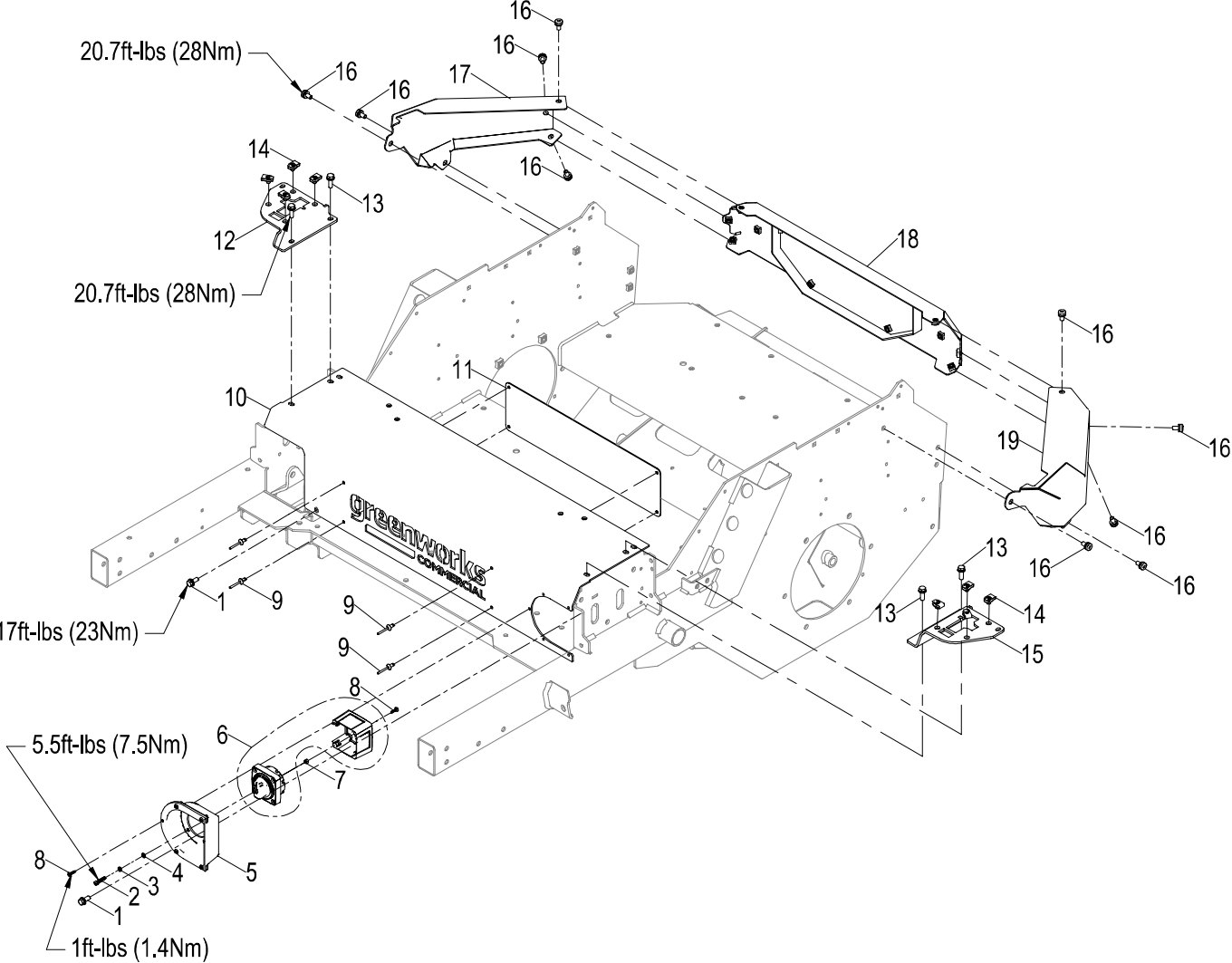


# FRAME



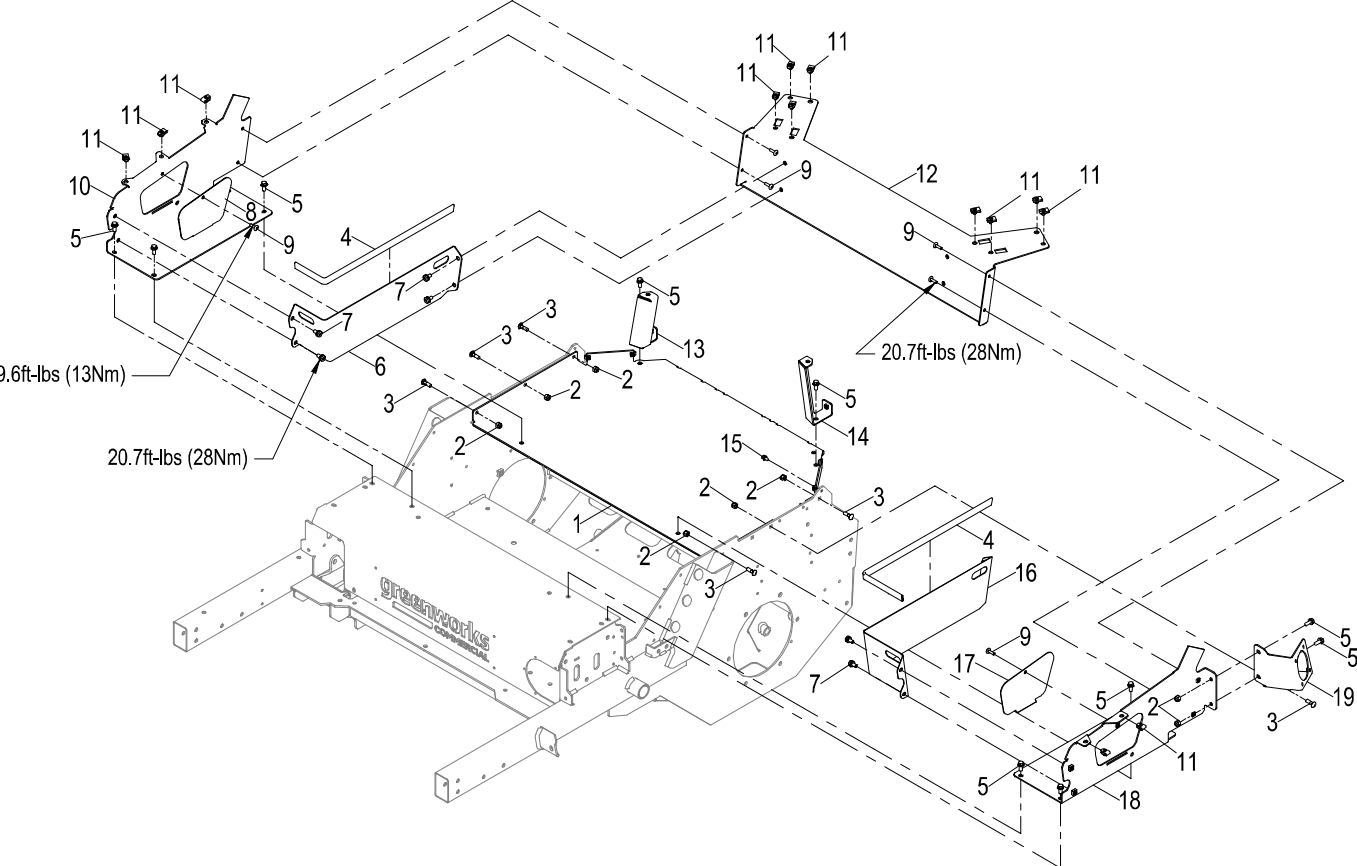
ITEM NO.	PART NO.	DESCRIPTION	QTY
21-01	R0209746-00	Front Beam Weldment	1
21-02	R0209747-00	Baffle	1
21-03	R0205232-00	Pan Head Screws, M6×20	14
21-04	R0200684-00	Grease Zerk Fitting M6	2
21-05	R0204986-00	Carriage Bolt, M10×85	8
21-06	R0209748-00	Fixed Bracket	1
21-07	R0200377-00	Rubber Bumper	4
21-08	R0209749-00	Pedal	1
21-09	R0209755-00	Rivet, Φ6×16	8
21-10	R0209754-00	Foot Pedal, 453×153	1
21-11	R0209753-00	Guard Weldment	1
21-12	R0200376-00	Knob Bolt, M8×25	1
21-13	R0209756-00	Foot Pedal, 759×248	1
21-14	R0205418-00	Nut Cap	8
21-15	R0200521-00	Locking Flange Nut, M10	8
21-16	R0209762-00	Main Frame Weldment	1
21-17	R0201415-00	Socket Head Cap Screw, M6×25	8
21-18	R0207594-00	Nylon Bracket, 107×27×20	4
21-19	R0205184-00	Screw with Collar, M8×25	1

# FRAME



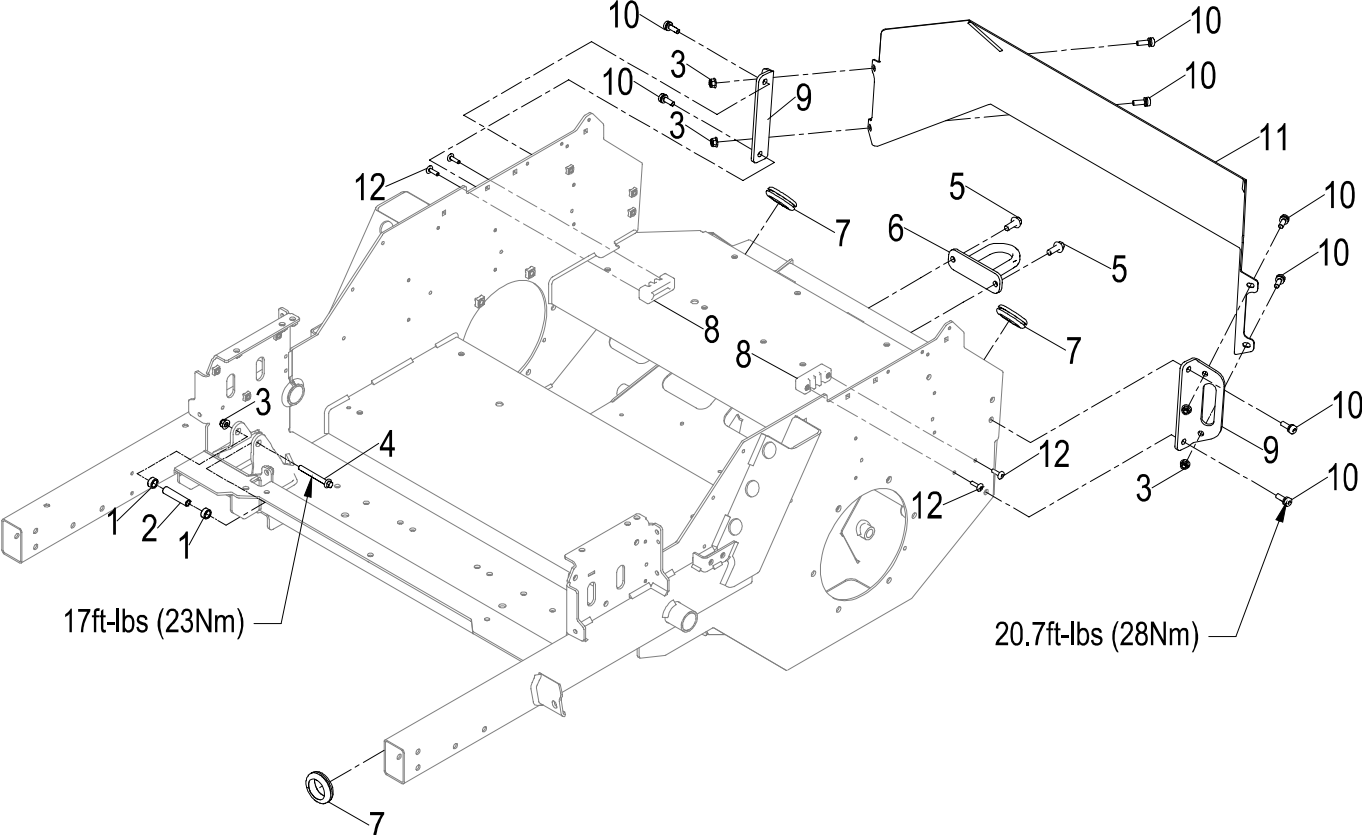
ITEM NO.	PART NO.	DESCRIPTION	QTY
21-01	R0200534-00	Bolt, Hex With Washers M8×20	2
21-02	R0207400-00	Screw, M5×25	4
21-03	R0201410-00	Standard Spring Washer Φ6	4
21-04	R0200545-00	Washer, Φ5	4
21-05	R0209750-00	Switch Baseplate	1
21-06	R0207277-00	Service Switch	1
21-07	R0200511-00	Nut M5	4
21-08	R0205426-00	Screw, Torx T20, ST4×16	6
21-09	R0205197-00	Rivet, Φ6×10	4
21-10	R0209752-00	Front Baffle	1
21-11	R0103291-00	Scaleboard	1
21-12	R0205221-00	Right Bracket	1
21-13	R0209012-00	Bolt, Hex with Washers M8×25	4
21-14	R0201314-00	Nut, Clip-On M6	8
21-15	R0205230-00	Left Bracket	1
21-16	R0205427-00	Raised Head Screw with Collar, M8×16	10
21-17	R0209758-00	Right Rear Cover Piece	1
21-18	R0209759-00	Guard Mounting Plate	1
21-19	R0209760-00	Right Rear Cover Piece	1

# FRAME



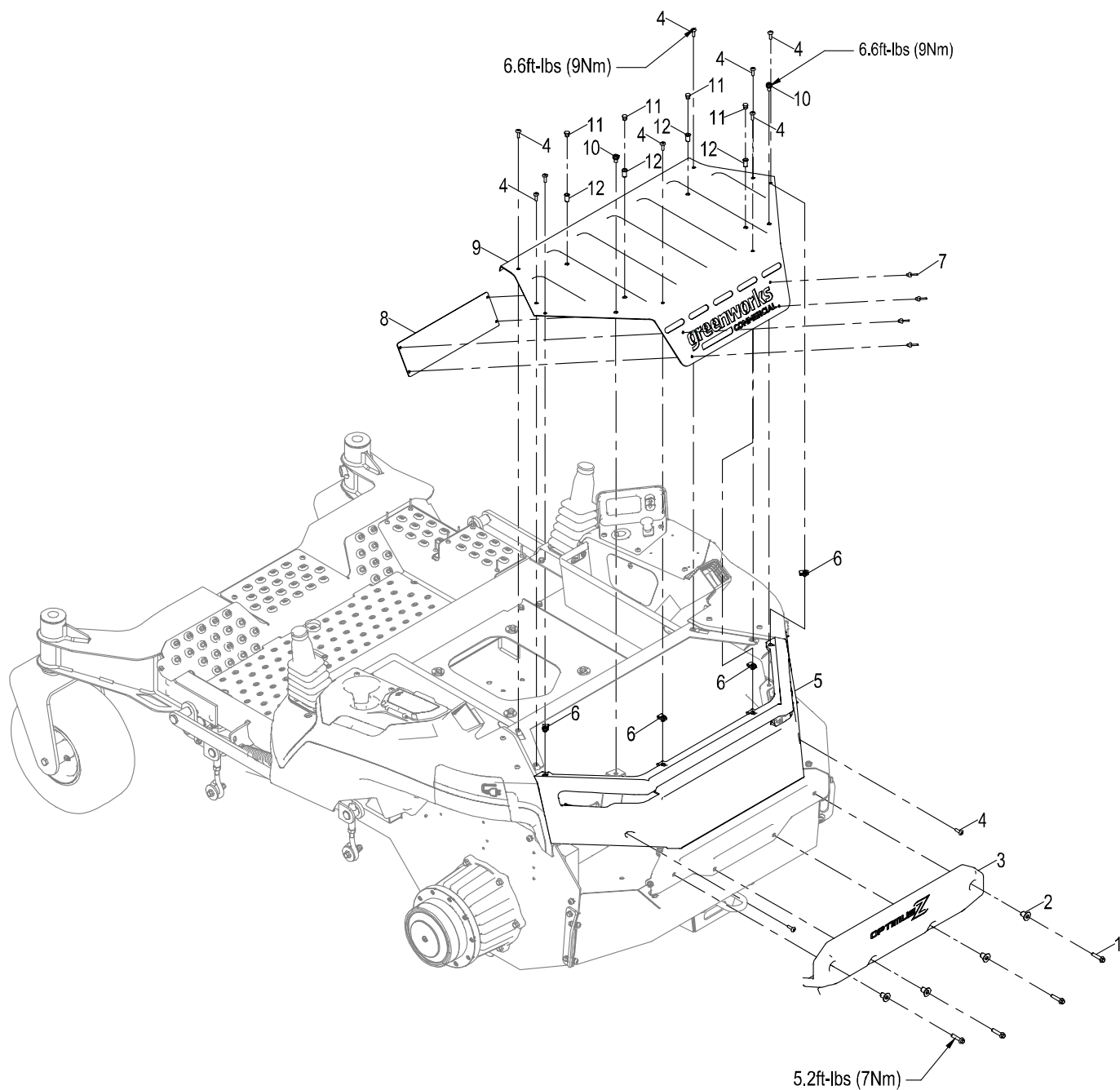
ITEM NO.	PART NO.	DESCRIPTION	QTY
21-01	R0209768-00	Controller Mounting Plate	1
21-02	R0200520-00	Locking Nut, M8	8
21-03	R0200527-00	Carriage Bolt, M8×25	6
21-04	R0209766-00	Decorative Strip	1.215m
21-05	R0200534-00	Bolt, Hex With Washers M8×20	10
21-06	R0209765-00	Right Vertical Plate	1
21-07	R0205427-00	Raised Head Screw with Collar, M8×16	8
21-08	R0205127-00	Right Inner Cover	1
21-09	R0205232-00	Pan Head Screws, M6×20	6
21-10	R0209767-00	Right Connecting Plate	1
21-11	R0201314-00	Nut, Clip-On M6	13
21-12	R0209771-00	Rear Baffle	1
21-13	R0209769-00	Bracket, Right	1
21-14	R0209770-00	Bracket, Left	1
21-15	R0207602-00	Bolt, Hex with Washers M6	1
21-16	R0209773-00	Left Vertical Plate	1
21-17	R0205108-00	Left Inner Cover	1
21-18	R0209772-00	Left Connecting Plate	1
21-19	R0207603-00	Charging Base	1

# FRAME



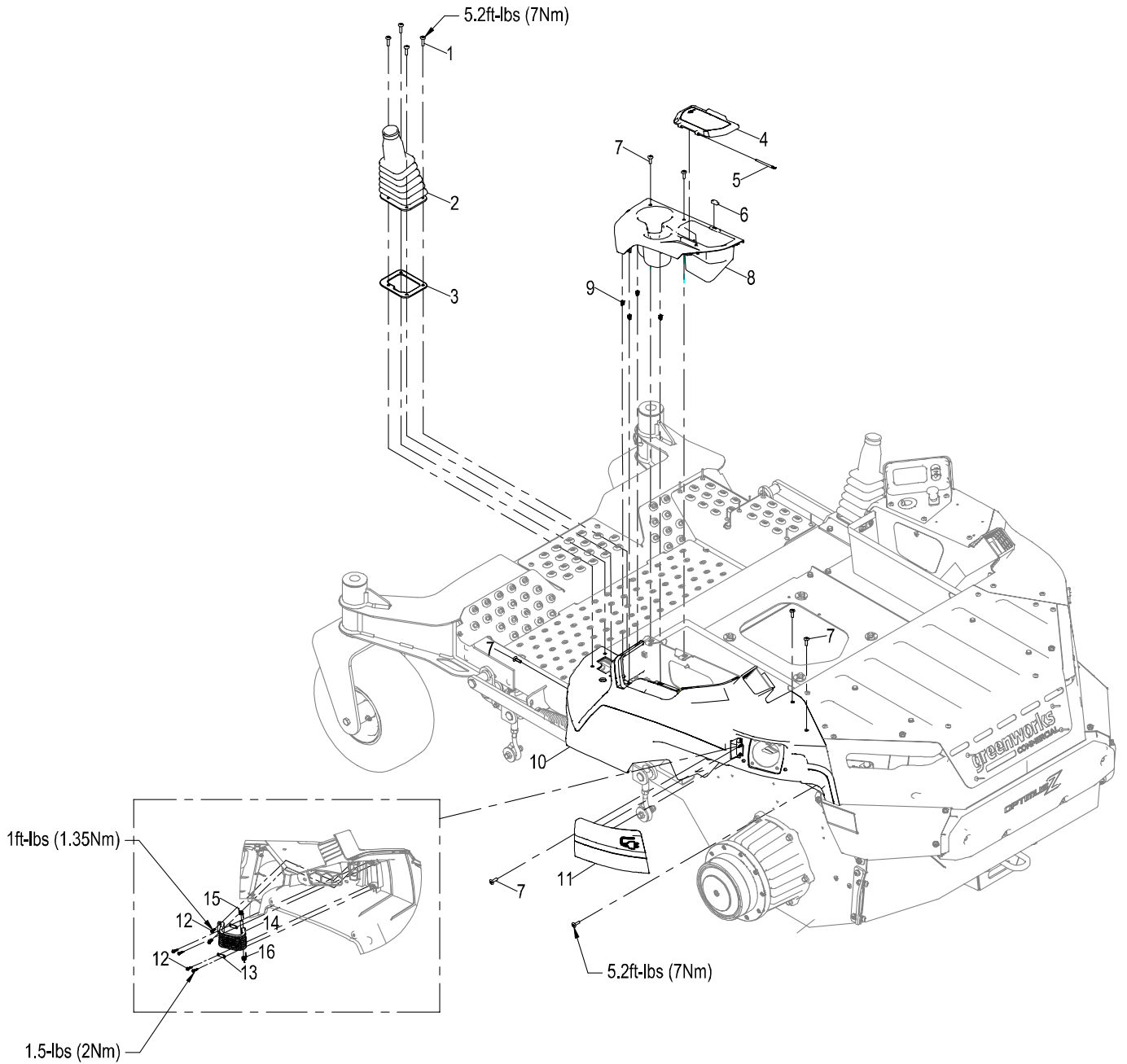
ITEM NO.	PART NO.	DESCRIPTION	QTY
21-01	R0209763-00	Electric Push Rod Spacer	2
21-02	R0209764-00	Sleeve Pipe	1
21-03	R0200558-00	Locking Flange Nut, M8	5
21-04	R0206804-00	Hex Bolts with Flange, M8×70	1
21-05	R0200501-00	Bolt, Hex M10×25	2
21-06	R0205223-00	U-Shaped Frame	1
21-07	R0200429-00	Rubber Grommet	3
21-08	R0209774-00	Nylon Bracket, 70×25×22	2
21-09	R0209757-00	Left Rear Connecting Plate	2
21-10	R0205184-00	Socket Raised Head Screw with Collar, M8×25	8
21-11	R0209761-00	Body Rear	1
21-12	R0205232-00	Pan Head Screws, M6×20	4

# SIDE CONSOLES AND PROTECTIVE PARTS



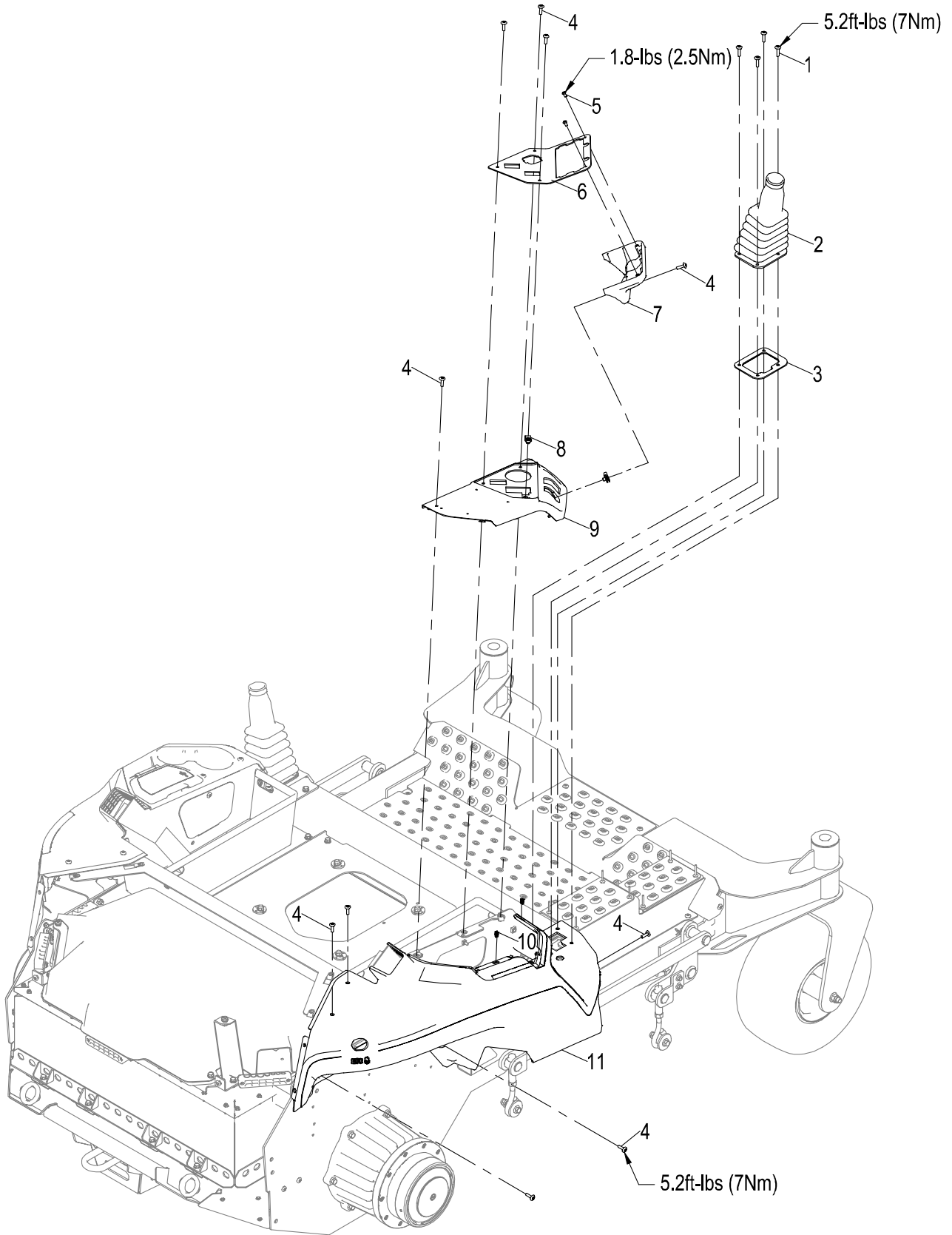
ITEM NO.	PART NO.	DESCRIPTION	QTY
28-01	R0206829-00	Hex Bolts with Flange, M8×35	4
28-02	R0209775-00	Sleeve	4
28-03	R0209776-00	Rubber Bumper	1
28-04	R0205232-00	Pan Head Screws, M6×20	10
28-05	R0209777-00	Rear Baffle	1
28-06	R0201314-00	Nut, Clip-On M6	4
28-07	R0205197-00	Rivet, Φ6×10	4
28-08	R0209778-00	Iron Sheet	1
28-09	R0209779-00	Top Cover	1
28-10	R0205427-00	Raised Head Screw with Collar, M8×16	2
28-11	R0209780-00	Rubber Plug	4
28-12	R0209781-00	Nut, M8	4

# SIDE CONSOLES AND PROTECTIVE PARTS



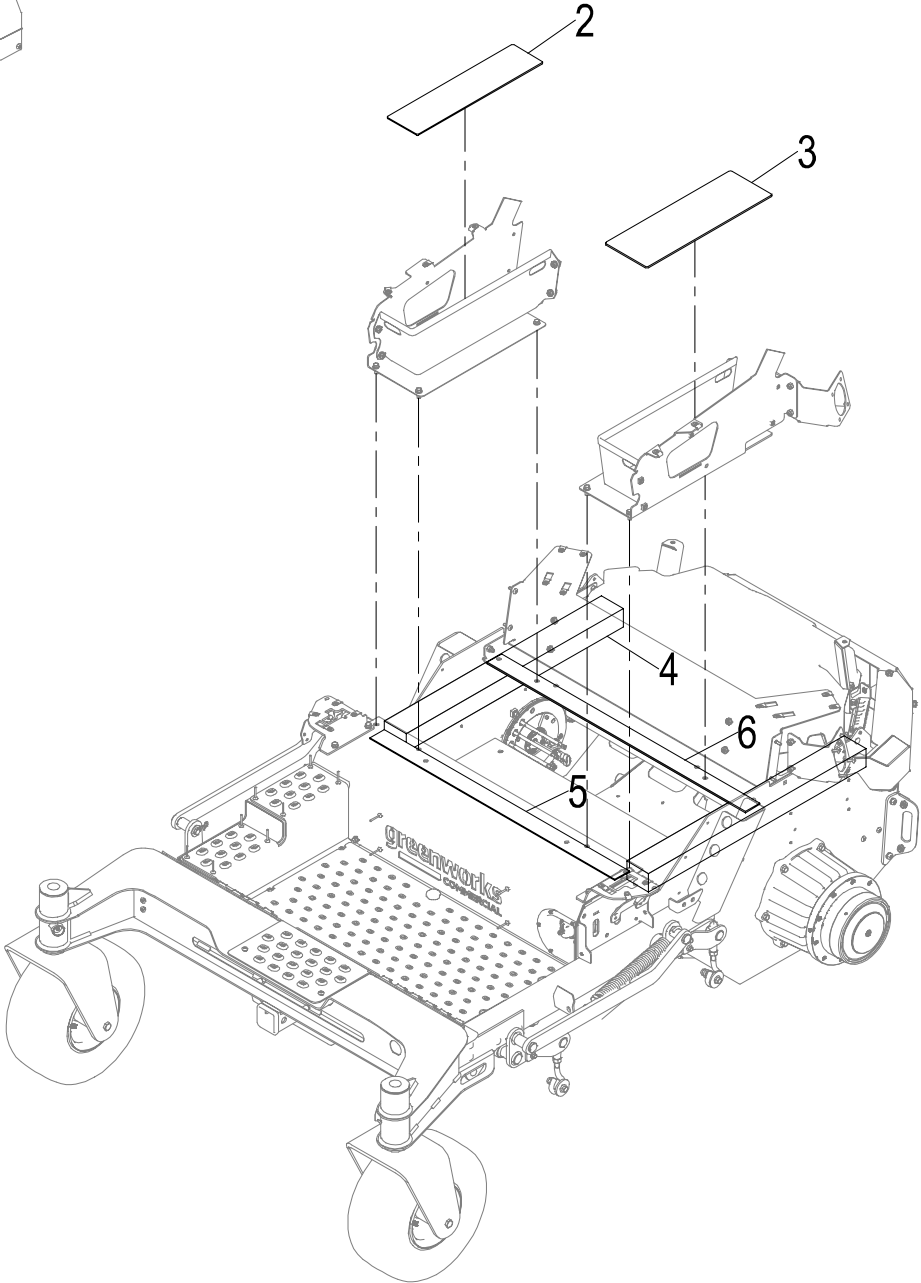
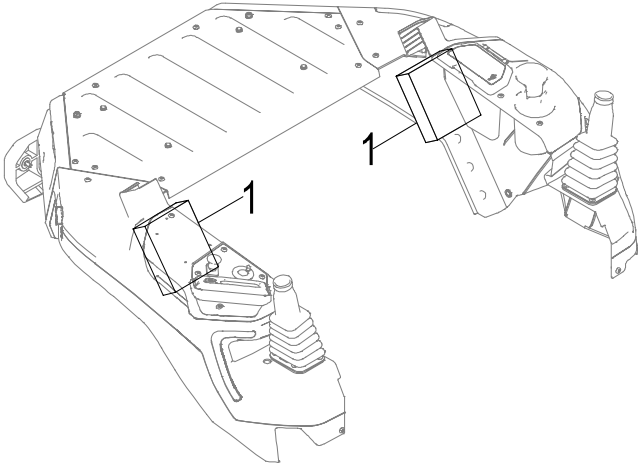
ITEM NO.	PART NO.	DESCRIPTION	QTY
28-01	R0205402-00	Pan Head Screw, M6×25	4
28-02	R0205175-00	Rubber Boots	1
28-03	R0205133-00	Retaining Plate	1
28-04	R0205158-00	Left Coverplate	1
28-05	R0205430-00	Rotating Shaft	1
28-06	R0205137-00	Magnet	1
28-07	R0205232-00	Pan Head Screws, M6×20	7
28-08	R0205153-00	Left Panel	1
28-09	R0202010-00	Trim Clip	4
28-10	R0207614-00	Left Guard	1
28-11	R0207613-00	Decorative Cover	1
28-12	R0205426-00	Screw, Torx T20, ST4×16	6
28-13	R0205119-00	Retaining Plate	2
28-14	R0207615-00	Body Lid Hinge Axle	1
28-15	R0205169-00	Torsion Spring	1
28-16	R0205170-00	Torsion Spring, LH	1

# SIDE CONSOLES AND PROTECTIVE PARTS



<b>ITEM NO.</b>	<b>PART NO.</b>	<b>DESCRIPTION</b>	<b>QTY</b>
28-01	R0205402-00	Pan Head Screws, M6×25	4
28-02	R0205173-00	Rubber Boots	1
28-03	R0205133-00	Retaining Plate	1
28-04	R0205232-00	Pan Head Screws, M6×20	10
28-05	R0205204-00	Pan Head Screws with Cross Recess, M5	2
28-06	R0209782-00	Fixed Bracket	1
28-07	R0205139-00	Protective Cover	1
28-08	R0201314-00	Nut, Clip-On M6	2
28-09	R0209783-00	Switch Panel	1
28-10	R0202010-00	Trim Clip	2
28-11	R0207618-00	Right Guard	1

# SIDE CONSOLES AND PROTECTIVE PARTS

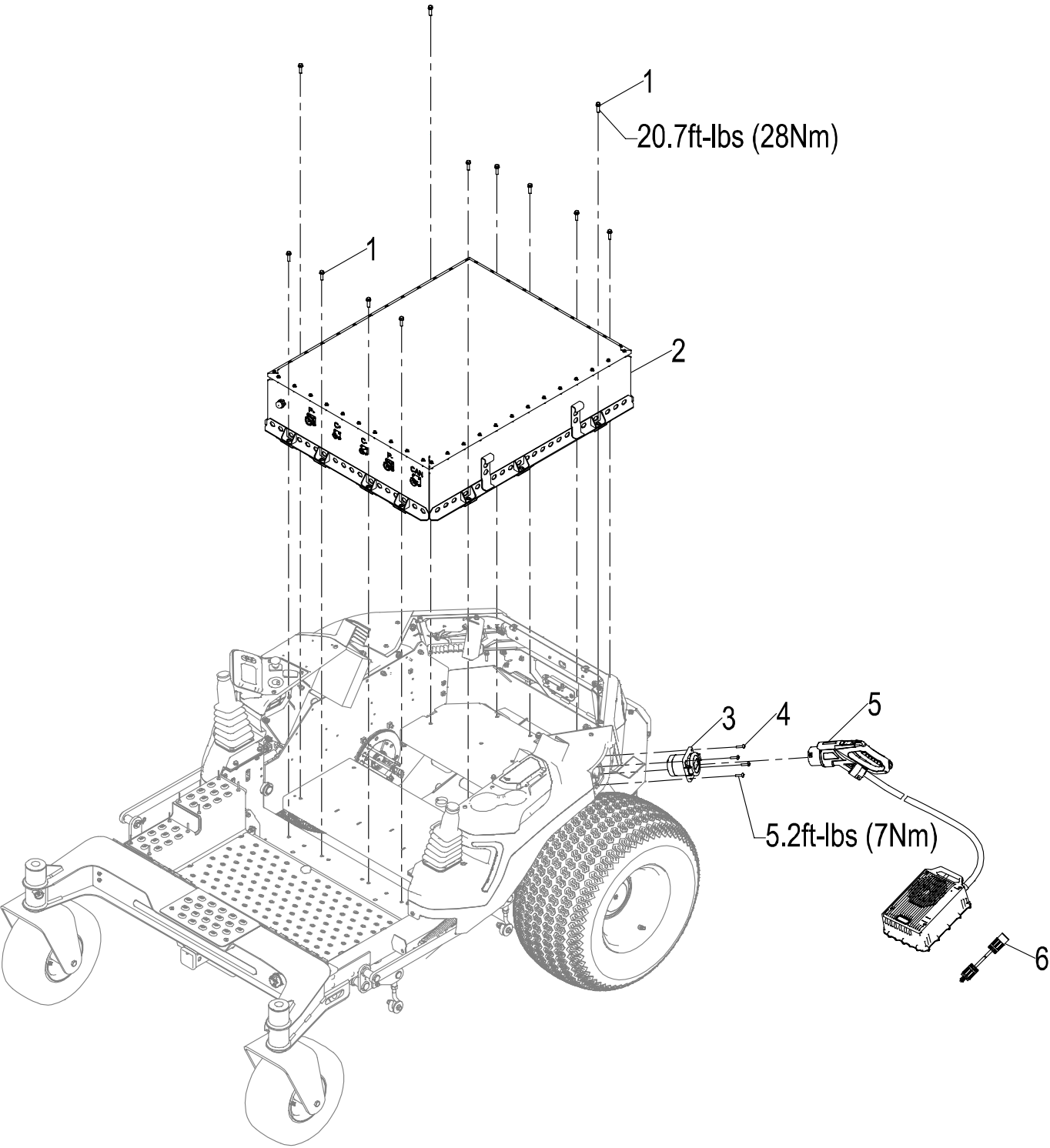


ITEM NO.	PART NO.	DESCRIPTION	QTY
28-01	R0205417-00	Foam Pad, 180×150×50	2
28-02	R0209784-00	Foam Pad, 435×106×3	1
28-03	R0211352-00	Foam Pad, 435×146×3	1
28-04	R0209785-00	Foam Pad, 670×95×55	2
28-05	R0209786-00	Foam Pad, 846×50×3.5	1
28-06	R0209713-00	Foam Pad, 892×50×3.5	1



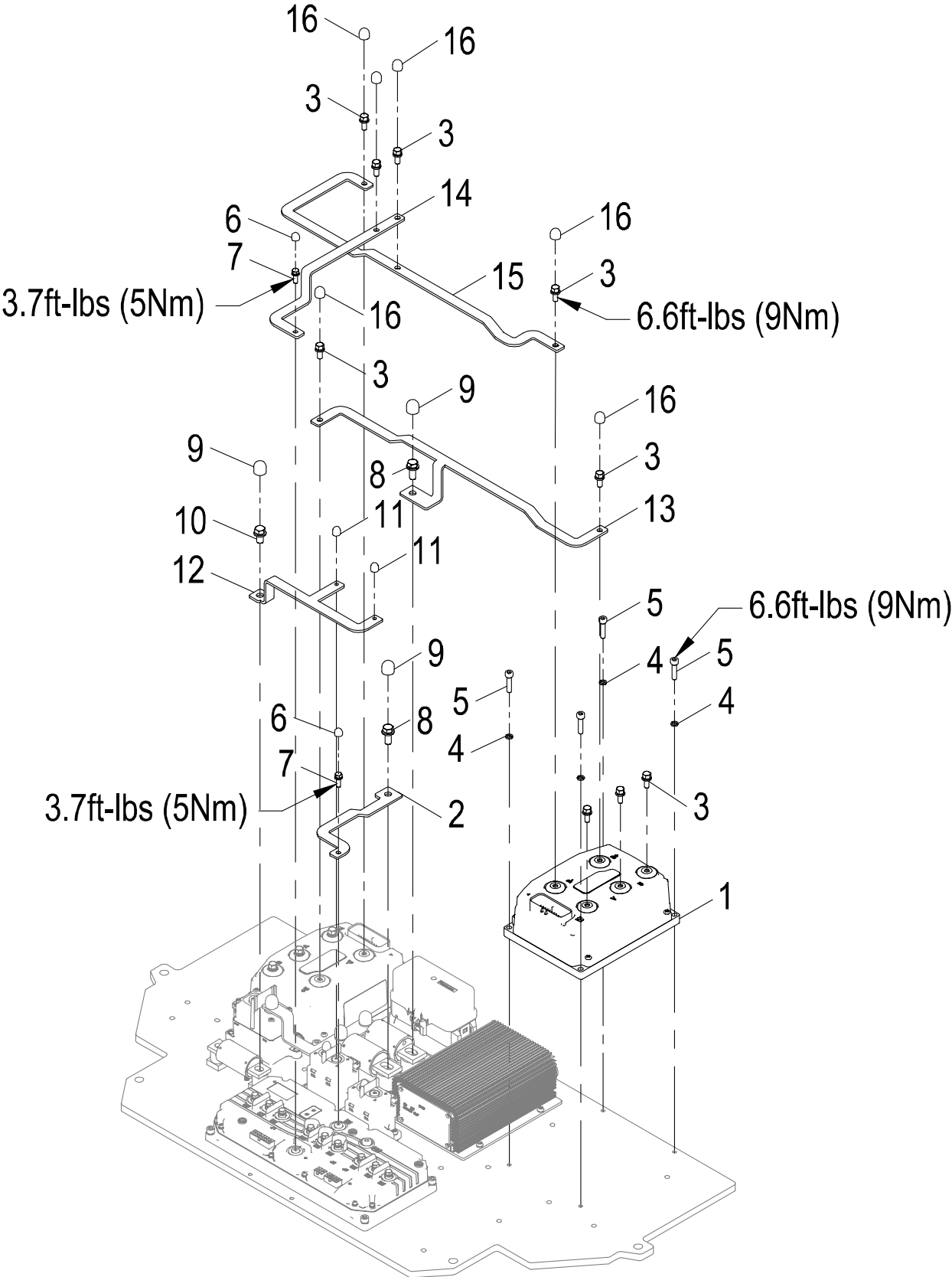
ITEM NO.	PART NO.	DESCRIPTION	QTY
29-01	R0200401-00	Hexagon Head Bolts, M12×80	6
29-02	R0201299-00	Washer, Φ28×4	6
29-03	R0209714-00	Lower Pipe Assembly	2
29-04	R0200369-00	Locking Flange Nut, M12	8
29-05	R0205131-00	Pin Assembly	2
29-06	R0200402-00	Spring, Φ14×17	2
29-07	R0201513-00	Bolt, M12×90	2
29-08	R0200543-00	Plain Washer, Φ12	2
29-09	R0205117-00	Rubber Block	2
29-10	R0209716-00	Upper Pipe	1

# BATTERY AND CHARGER



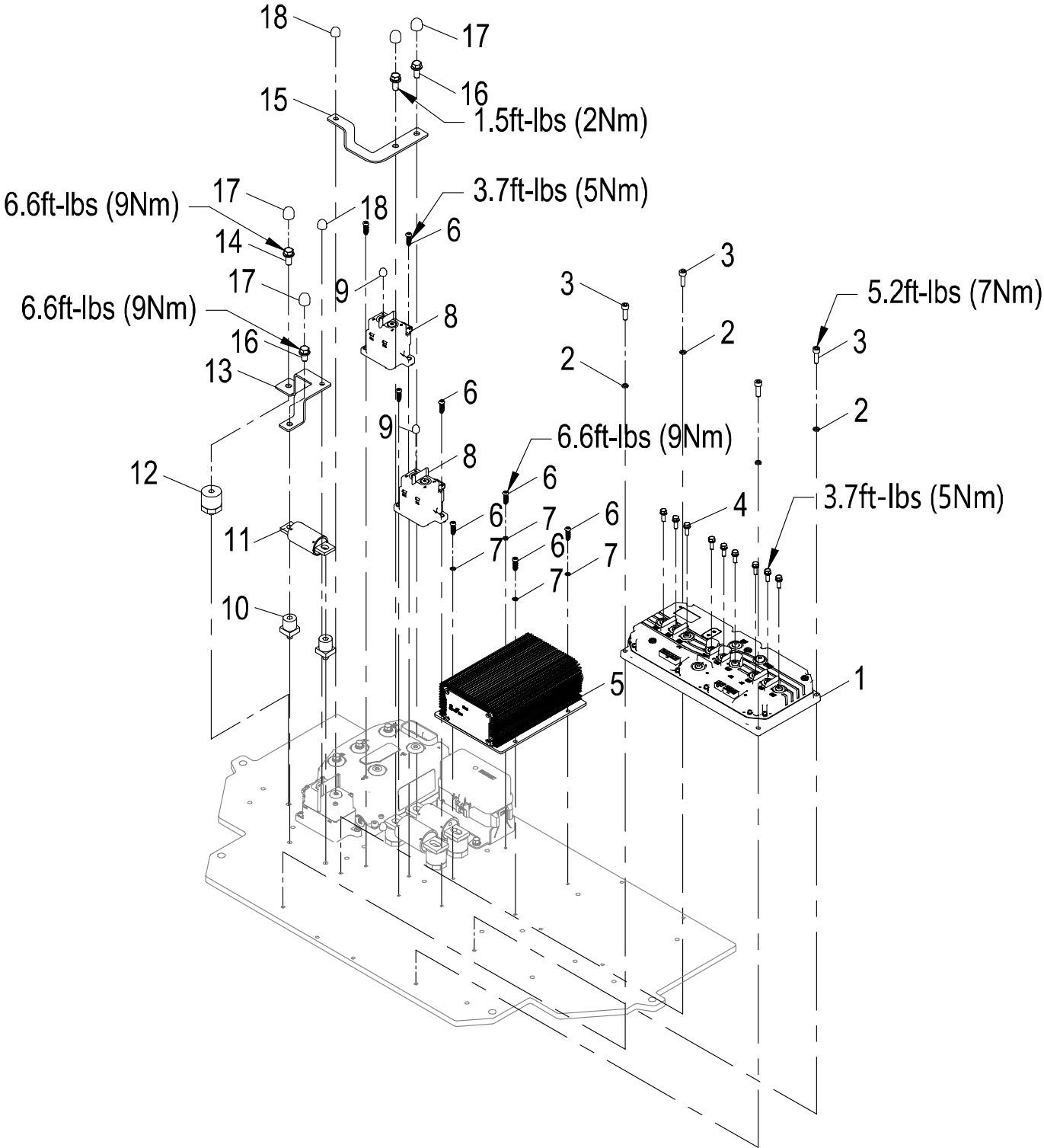
ITEM NO.	PART NO.	DESCRIPTION	QTY
31-01	R0205222-00	Bolt, Hex With Washers M8×30	12
31-02	R0210292-00	36kWh Battery	1
31-03	R0211340-00	Charging Socket	1
31-04	R0205402-00	Pan Head Screws, M6×25	4
31-05	R0103301-00	Charger, 3kW 30A 86.4V	1
31-06	R0210715-00	Adapter 240/120V	1

# CONTROLLERS AND BOX



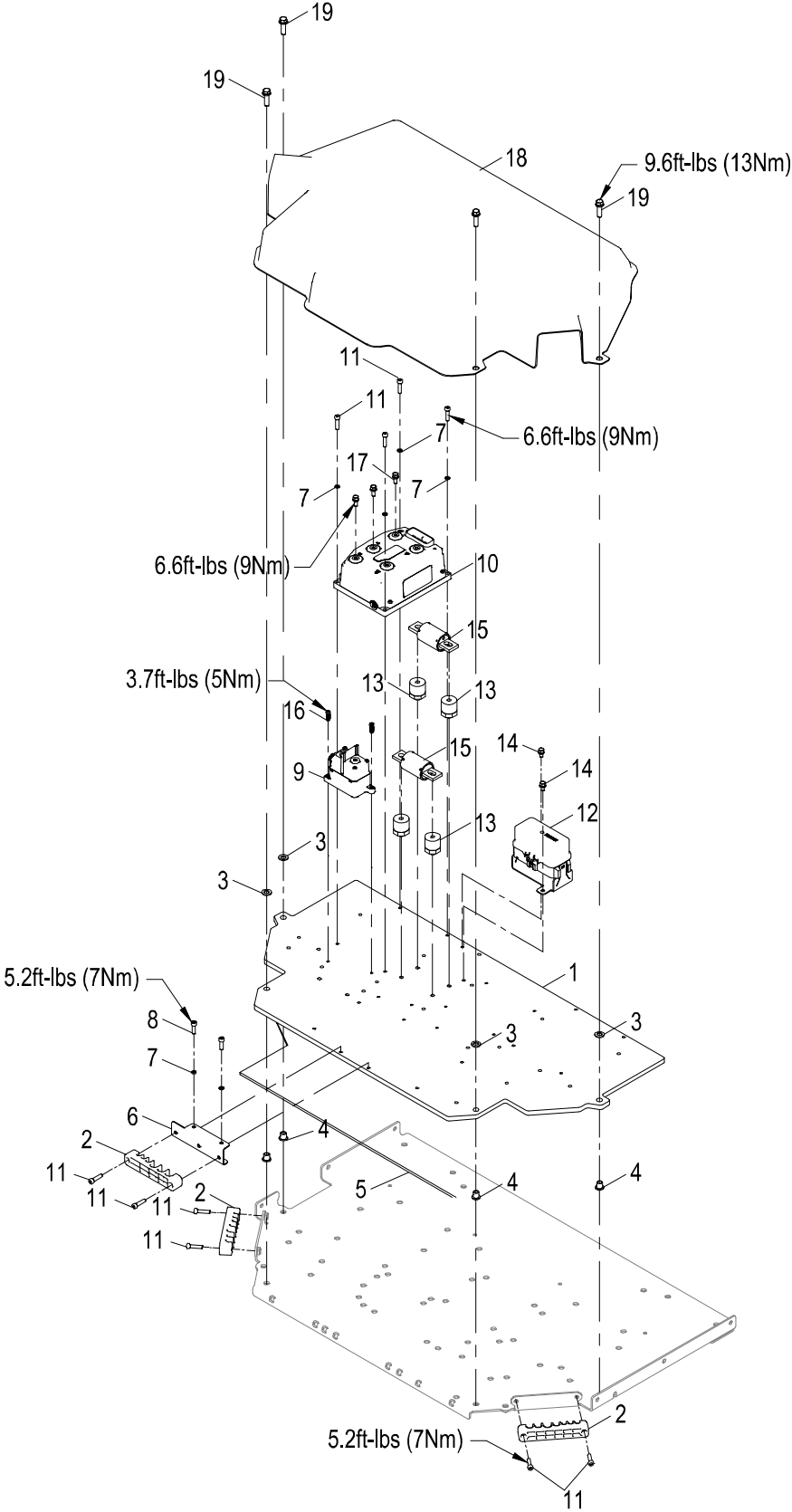
ITEM NO.	PART NO.	DESCRIPTION	QTY
32-01	R0205348-00	Drive Controller	1
32-02	R0211341-00	Copper Bar, Blade Fuse to Blade B+	1
32-03	R0200532-00	Bolt, Hex With Washers M6×16	9
32-04	R0201410-00	Standard Spring Washer, Φ6	4
32-05	R0201415-00	Socket Head Cap Screw, M6×25	4
32-06	R0205351-00	Dust Cap M5	2
32-07	R0210401-00	Bolt, Hex with Washers M5×16	2
32-08	R0200534-00	Bolt, Hex with Washers M8×20	2
32-09	R0205349-00	Dust Cap M8	3
32-10	R0200380-00	Bolt, Hex with Washers M8×16	1
32-11	R0205454-00	Dust Cap M4	2
32-12	R0211342-00	Copper Bar, ETO Fuse to ETO	1
32-13	R0211343-00	Copper Bar, Drive Fuse to Drive B+	1
32-14	R0211345-00	Copper Bar, Drive B- to Blade B-	1
32-15	R0211344-00	Copper Bar, Drive B-	1
32-16	R0205350-00	Dust Cap M6	6

# CONTROLLERS AND BOX



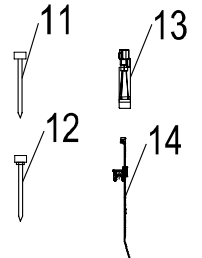
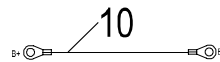
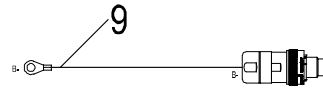
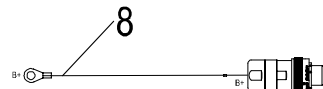
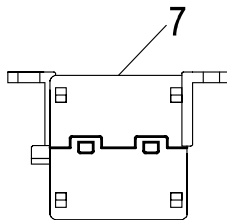
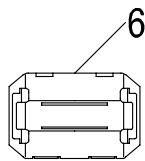
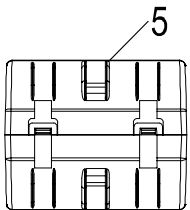
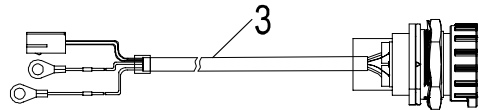
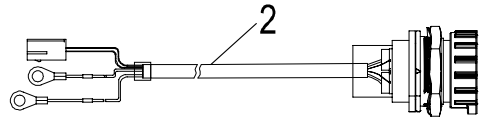
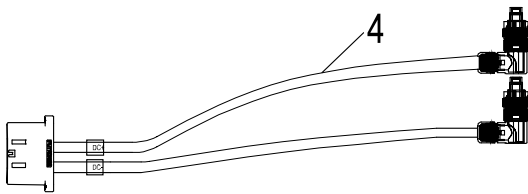
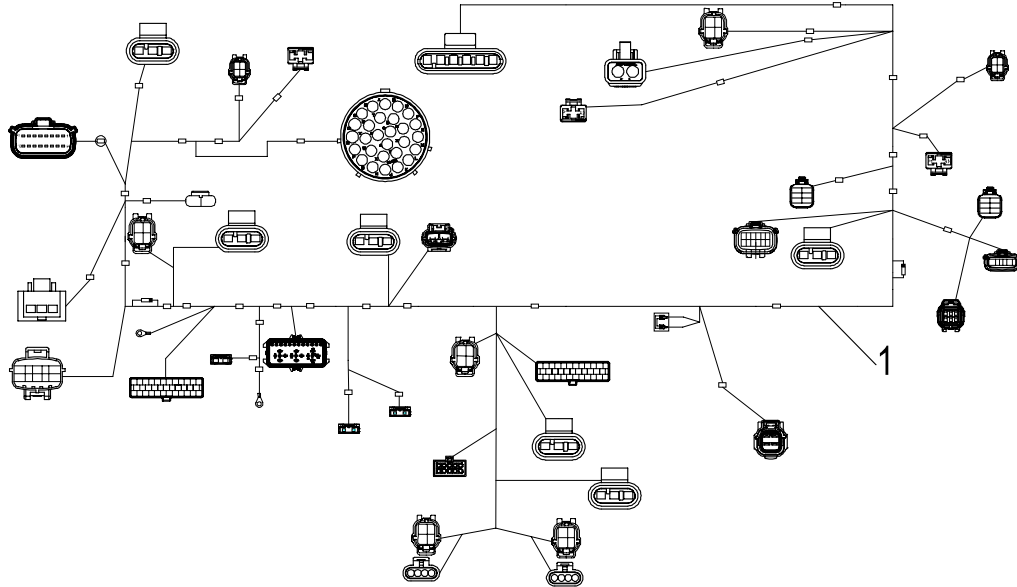
ITEM NO.	PART NO.	DESCRIPTION	QTY
32-01	R0209796-00	Blade Controller	1
32-02	R0201410-00	Standard Spring Washer, $\Phi 6$	4
32-03	R0202030-00	Socket Head Cap Screw, M6 $\times$ 20	4
32-04	R0210401-00	Bolt, Hex with Washers M5 $\times$ 16	9
32-05	R0209804-00	300W DC/DC	1
32-06	R0205125-00	Bolt, Torx T25 M5 $\times$ 17	8
32-07	R0200538-00	Spring Washer, $\Phi 5$	4
32-08	R0205364-00	Contactora, 120A	2
32-09	R0205454-00	Dust Cap M4	2
32-10	R0205359-00	Insulating Base, $\Phi 21$	2
32-11	R0207776-00	Fuse Protector, //RS309-MD-200A//500V 200A	1
32-12	R0205260-00	Insulating Base	1
32-13	R0211346-00	Copper Bar, Main Contactora to ETO Fuse	1
32-14	R0200380-00	Bolt, Hex with Washers M8 $\times$ 16	1
32-15	R0211347-00	Copper Bar, Main Contactora to Drive&Blade Fuse	1
32-16	R0200534-00	Bolt, Hex with Washers M8 $\times$ 20	3
32-17	R0205349-00	Dust Cap M8	4
32-18	R0205350-00	Dust Cap M6	2

# CONTROLLERS AND BOX



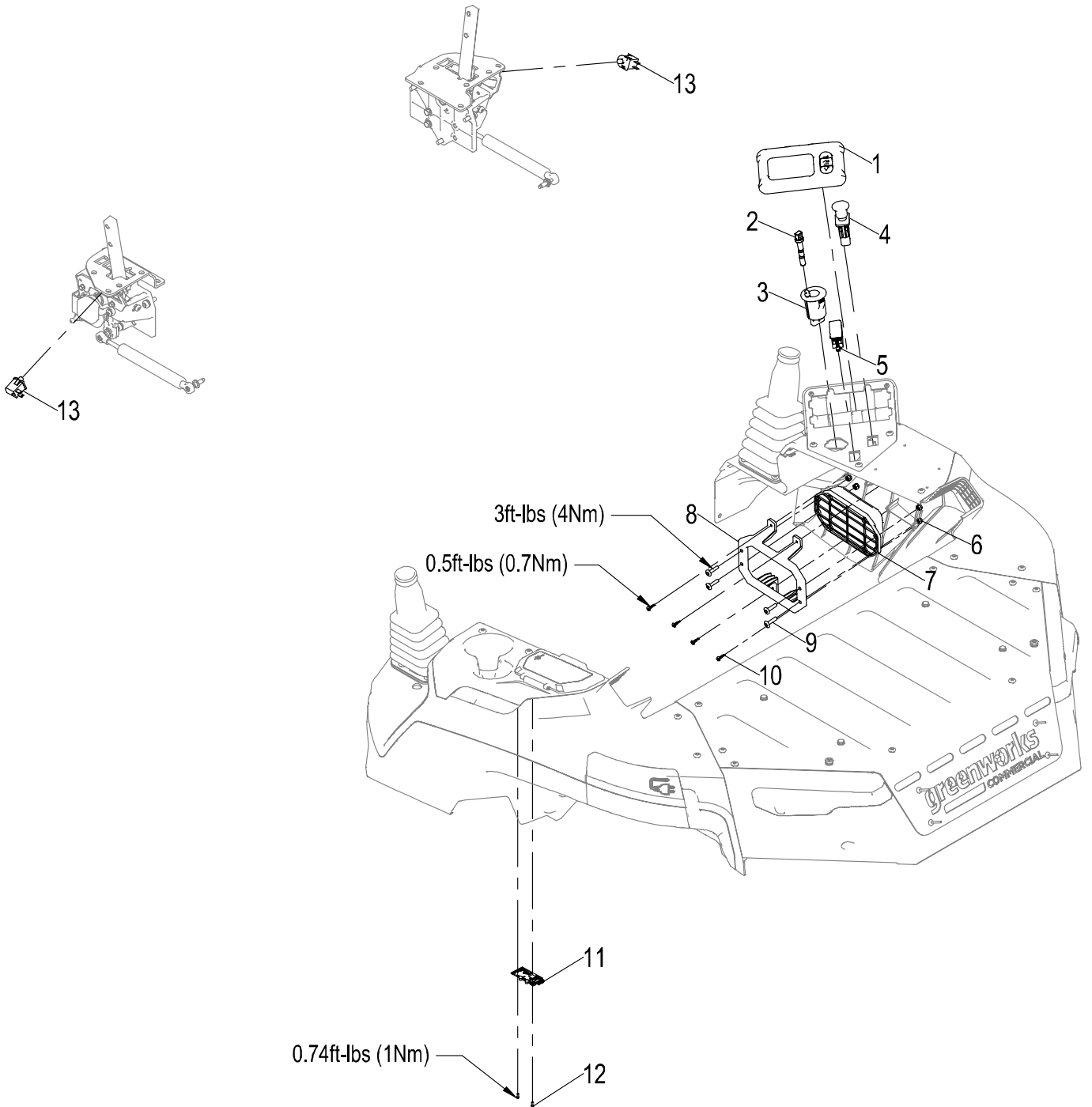
ITEM NO.	PART NO.	DESCRIPTION	QTY
32-01	R0209717-00	Aluminum Sheet	1
32-02	R0205424-00	Nylon Bracket	3
32-03	R0200393-00	Washer, $\Phi$ 10.5	4
32-04	R0200392-00	Casing	4
32-05	R0209797-00	Heat Conducting Silicone Sheet	1
32-06	R0205107-00	Power Cord Arm	1
32-07	R0201410-00	Standard Spring Washer, $\Phi$ 6	6
32-08	R0202030-00	Socket Head Cap Screw, M6 $\times$ 20	2
32-09	R0205705-00	Relay, 1500V 400A	1
32-10	R0205348-00	Drive Controller	1
32-11	R0201415-00	Socket Head Cap Screw, M6 $\times$ 25	10
32-12	R0209718-00	Fuse Box Bracket	1
32-13	R0205260-00	Insulating Base, $\Phi$ 30	4
32-14	R0207602-00	Bolt, Hex with Washers M6	2
32-15	R0210411-00	Fuse, RS309-MD-250//250A 500VDC	2
32-16	R0205125-00	Bolt, Torx T25 M5 $\times$ 17	2
32-17	R0200532-00	Bolt, Hex With Washers M6 $\times$ 16	3
32-18	R0209719-00	Protective Cover	1
32-19	R0205222-00	Bolt, Hex With Washers M8 $\times$ 30	4

# WIRE HARNESS



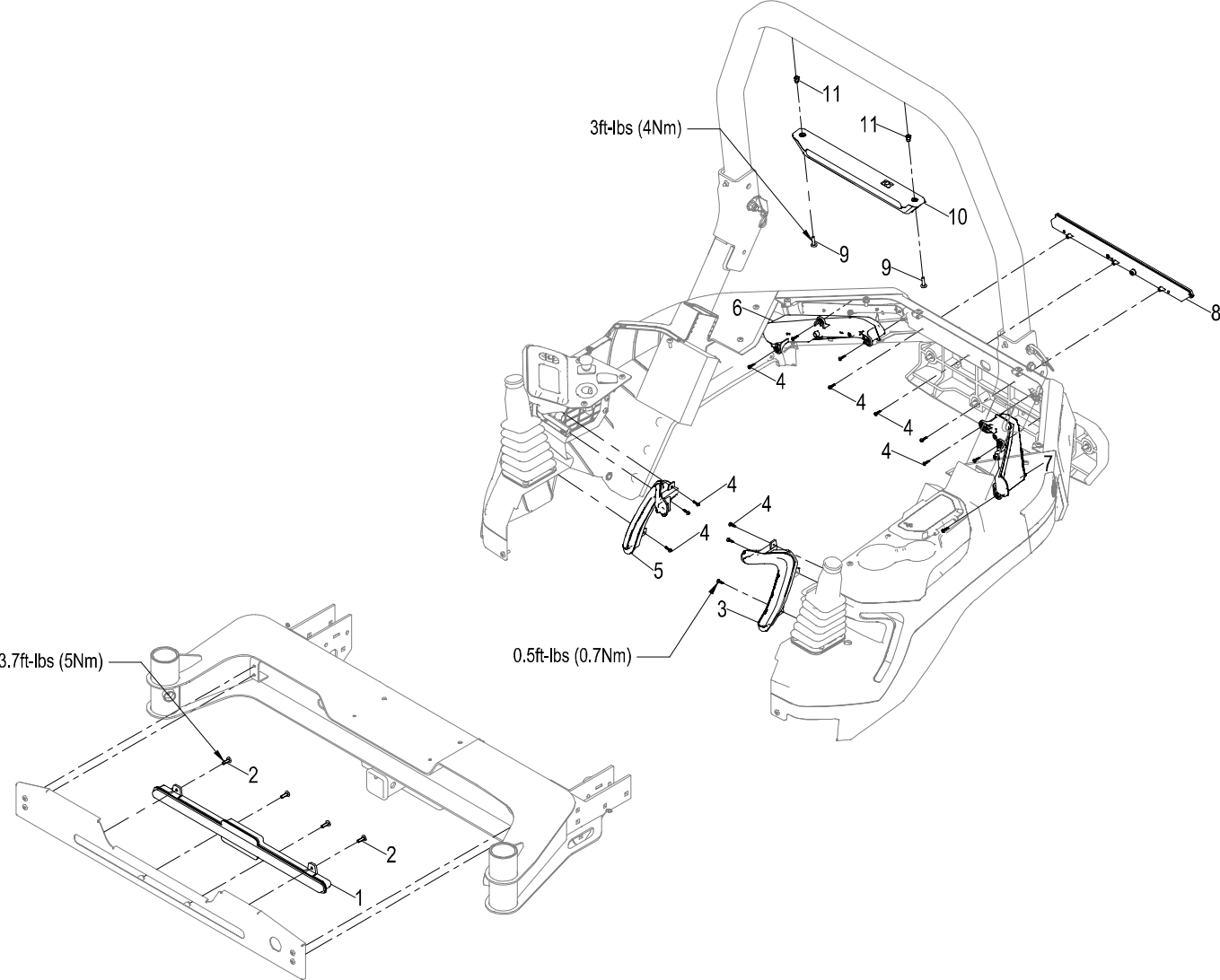
ITEM NO.	PART NO.	DESCRIPTION	QTY
33-01	R0209805-00	Control Harness Assembly of Whole Machine	1
33-02	R0209811-00	Rear ETO Wiring Harness	1
33-03	R0209810-00	Front ETO Wiring Harness	1
33-04	R0211348-00	Charging Wiring Harness	1
33-05	R0208155-00	Ferrite, 42×41×50×17	2
33-06	R0208153-00	Ferrite, E04SRXA241336AB	1
33-07	R0208154-00	Ferrite, E04SRXA401938	6
33-08	R0211349-00	Power Wiring Harness from Battery B+ to Service Switch	1
33-09	R0211350-00	Power Wiring Harness from Battery B- to Controller-	1
33-10	R0211351-00	Power Wiring Harness from Service Switch to Panel	1
33-11	R0202543-00	Zip Tie	50
33-12	R0200390-00	Zip Tie	50
33-13	R0205346-00	Relay	1
33-14	R0210408-00	Snap Joint, BW-185-0019	1

# SWITCHES & METER PARTS



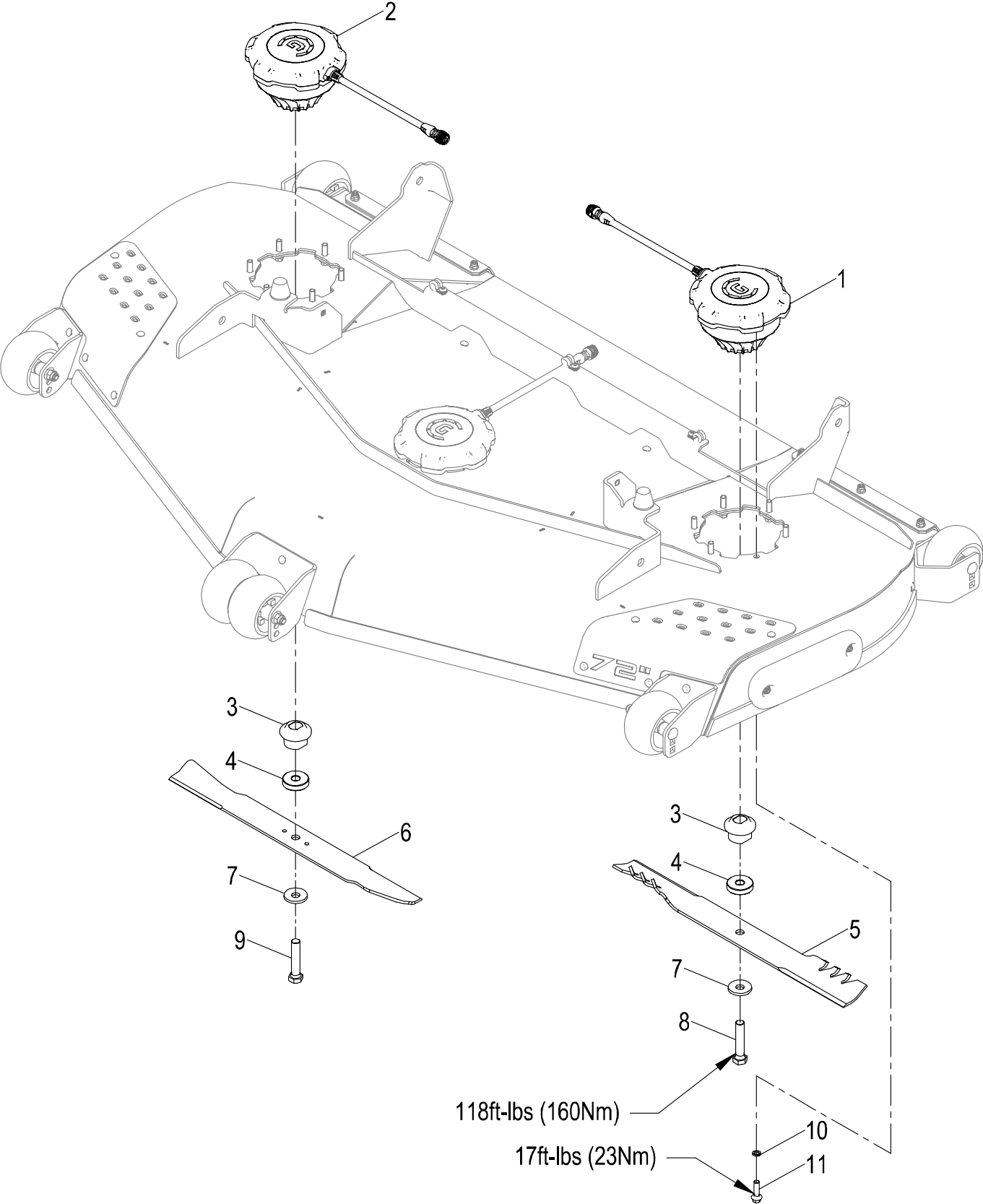
ITEM NO.	PART NO.	DESCRIPTION	QTY
35-01	R0210412-00	LCD Dashboard	1
35-02	R0101792-00	Key	1
35-03	R0209815-00	Ignition Switch	1
35-04	R0202542-00	PTO Switch	1
35-05	R0211353-00	Deck Height Adjustment Switch	1
35-06	R0200518-00	Locking Nut, M6	4
35-07	R0210413-00	GPS Module	1
35-08	R0205165-00	Fixed Bracket	1
35-09	R0205402-00	Pan Head Screws, M6×25	4
35-10	R0205426-00	Screw, Torx T20, ST4×16	4
35-11	R0205079-00	USB Type A + C	1
35-12	R0205189-00	Phillips, ST2.9×9.5	2
35-13	R0200366-00	Switch (Brake, Seat)	2

# LIGHTS



ITEM NO.	PART NO.	DESCRIPTION	QTY
39-01	R0205274-00	Light, Front Frame	1
39-02	R0205232-00	Pan Head Screws, M6×20	4
39-03	R0205272-00	Light, Left Body	1
39-04	R0205426-00	Screw, Torx T20, ST4×16	15
39-05	R0205271-00	Light, Right Body	1
39-06	R0209816-00	Tail Light, Right	1
39-07	R0209817-00	Tail Light, Left	1
39-08	R0209818-00	Tail Light, Middle	1
39-09	R0205402-00	Pan Head Screws, M6×25	2
39-10	R0205080-00	Light, ROPS	1
39-11	R0209720-00	Flat Head Riveted Nut, M6	2

# DECK, MOTORS, BLADES

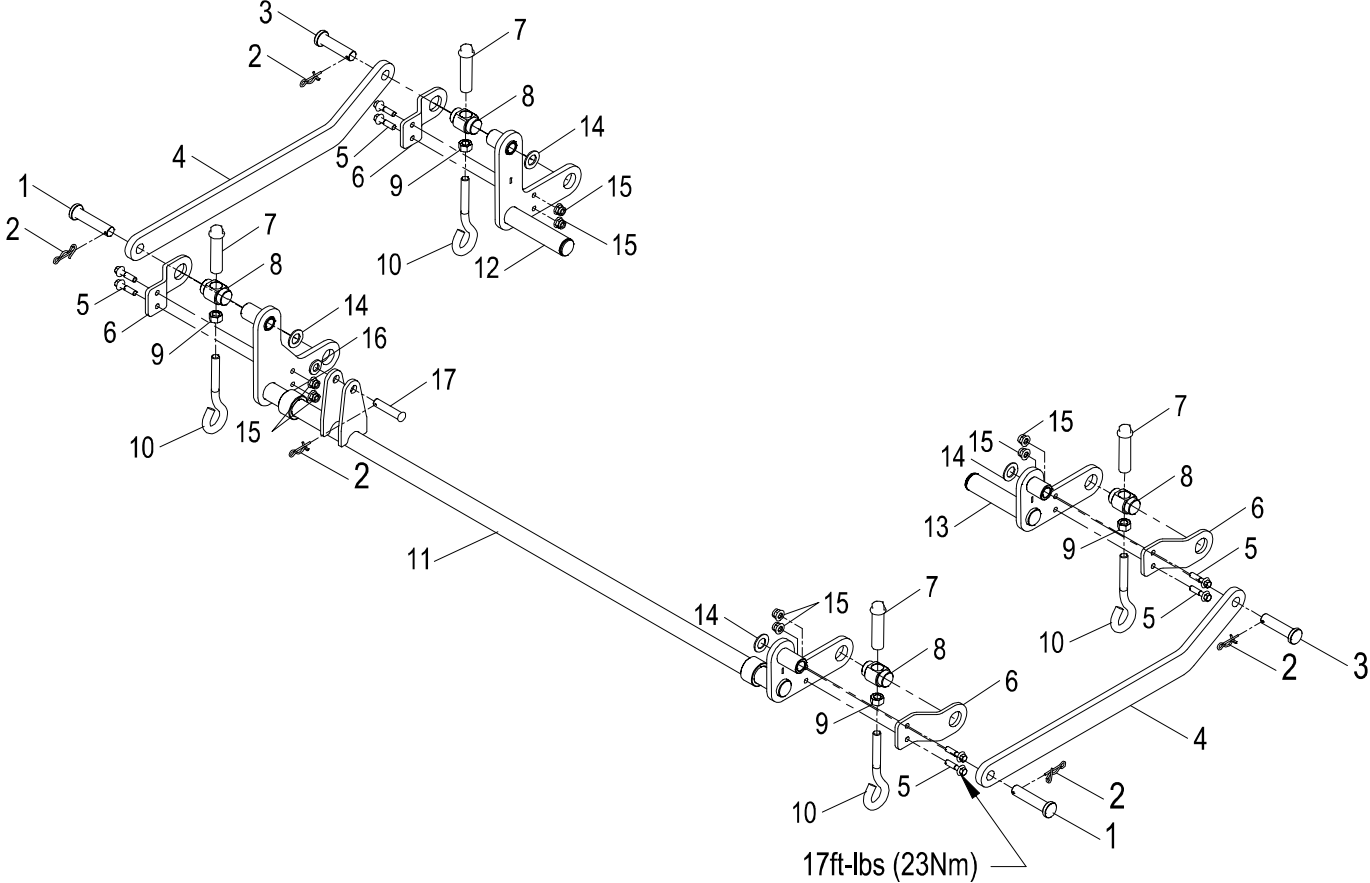


ITEM NO.	PART NO.	DESCRIPTION	QTY
41-01	R0211354-00	Blade Motor	2
41-02	R0211355-00	Blade Motor, LH	1
41-03	R0200693-00	Blade Collar	3
41-04	R0205141-00	Blade Washer, $\Phi 50 \times 12$	3
41-05	R0209843-00	Mulching Blade	2
41-06	R0209844-00	Discharge Blade	1
41-07	R0200365-00	Blade Washer $\Phi 16$	3
41-08	R0205191-00	Bolt, Hex M16 $\times$ 80	2
41-09	R0209845-00	Bolt, Hex M16 $\times$ 80-LH	1
41-10	R0200499-00	Spring Washer, $\Phi 10$	18
41-11	R0200531-00	Bolt, Flange M10 $\times$ 35	18



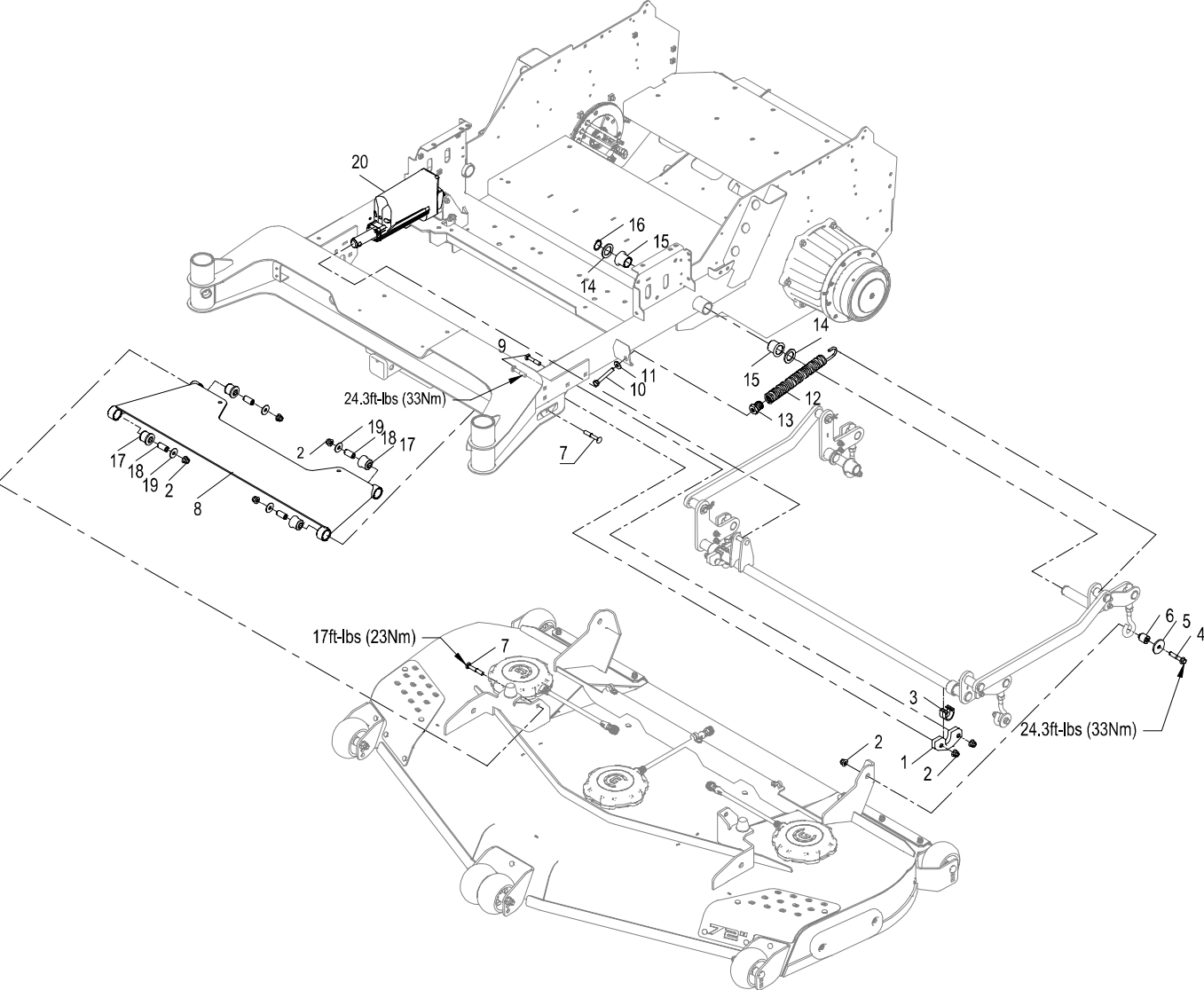
ITEM NO.	PART NO.	DESCRIPTION	QTY
42-01	R0209846-00	Cutting Deck Weldment	1
42-02	R0200710-00	Rubber Bumper	2
42-03	R0200496-00	Locking Flange Nut, M8	30
42-04	R0200527-00	Carriage Bolt, M8×25	32
42-05	R0205342-00	Deck Trim Bumper	2
42-06	R0200541-00	Washer Φ8	4
42-07	R0200558-00	Locking Flange Nut, M8	4
42-08	R0200360-00	Bolt, Hex M12×190	1
42-09	R0209847-00	Deck Wheel Support Bracket RH	1
42-10	R0205101-00	Deck Wheel Support Bracket LH	1
42-11	R0205121-00	Deck Wheel Support Bracket Center	1
42-12	R0200363-00	Roller Wheel	6
42-13	R0201304-00	Roller Shaft, Φ13×66	4
42-14	R0201303-00	Roller Spacer	4
42-15	R0201302-00	Roller Shaft, Φ13×156	1
42-16	R0205194-00	Carriage Bolt, M12×120	4
42-17	R0200369-00	Locking Flange Nut, M12	5
42-18	R0209848-00	Foot Pedal, Right	1
42-19	R0209849-00	Foot Pedal, Left	1
42-20	R0209850-00	Straw Board	2
42-21	R0209851-00	Retaining Plate	2
42-22	R0205384-00	Wire Clamp	3
42-23	R0201279-00	Screw With Washers, Torx T30 M6×20	3

# DECKLIFT ASSEMBLY



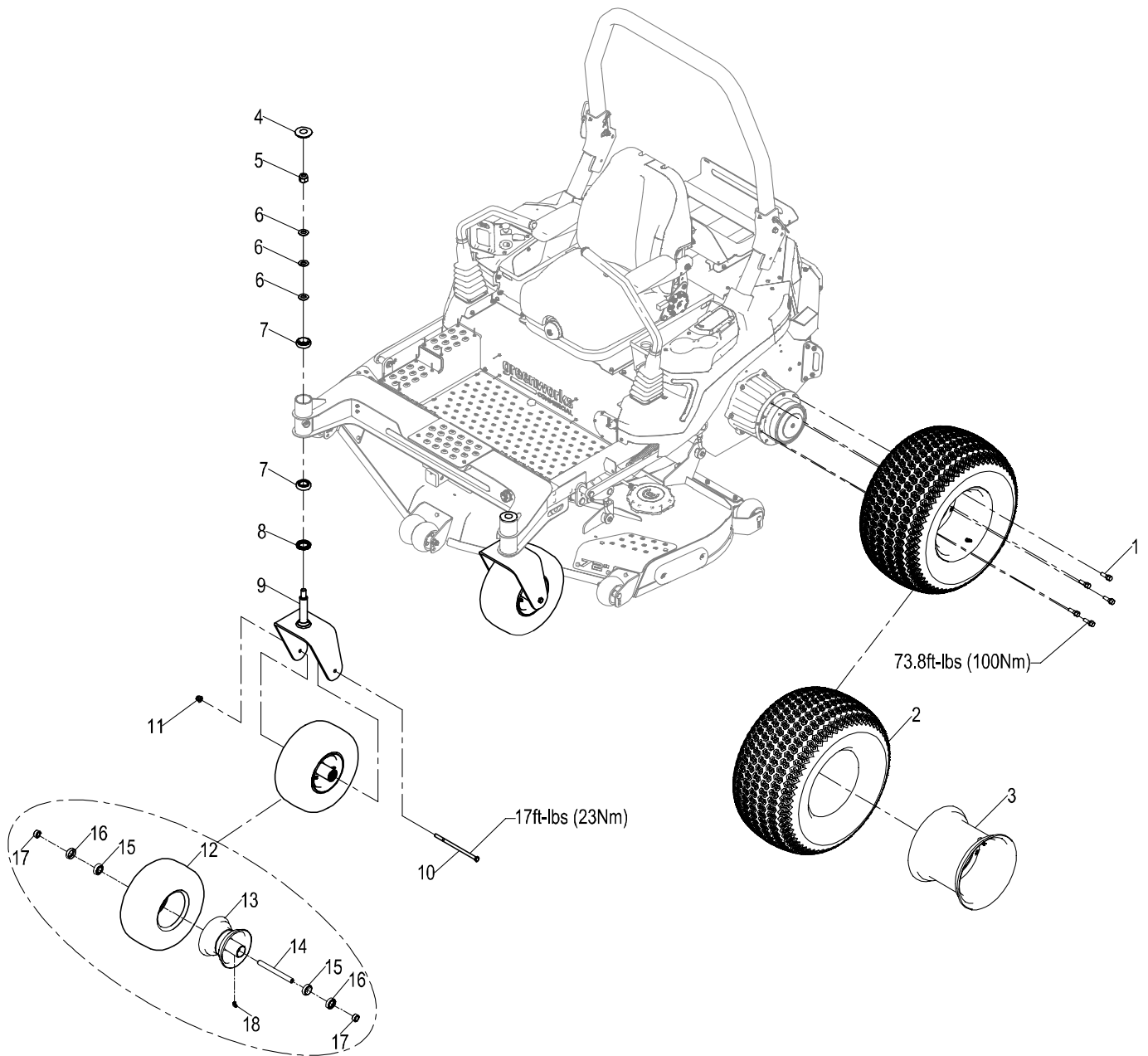
ITEM NO.	PART NO.	DESCRIPTION	QTY
45-01	R0205142-00	Lock Pin, $\Phi$ 16×78	2
45-02	R0203184-00	R Pin, $\Phi$ 2.5	5
45-03	R0205163-00	Lock Pin, $\Phi$ 16×70	2
45-04	R0209721-00	Connecting Plate	2
45-05	R0205203-00	Bolt, Flange M8×30	8
45-06	R0205088-00	Mounting Plate	4
45-07	R0205144-00	Height Adjustment Lever	4
45-08	R0205145-00	Pin Shaft	4
45-09	R0205392-00	Hexagon Nuts, M12	4
45-10	R0205116-00	Pull Handle	4
45-11	R0209722-00	Cutting Deck Front Rotating Shaft	1
45-12	R0209723-00	Rear Rotating Shaft, Right	1
45-13	R0209724-00	Rear Rotating Shaft, Left	1
45-14	R0209725-00	Washer, $\Phi$ 17	4
45-15	R0200496-00	Locking Flange Nut, M8	8
45-16	R0200543-00	Plain Washer, $\Phi$ 12	1
45-17	R0209726-00	Pin Shaft	1

# DECKLIFT ASSEMBLY



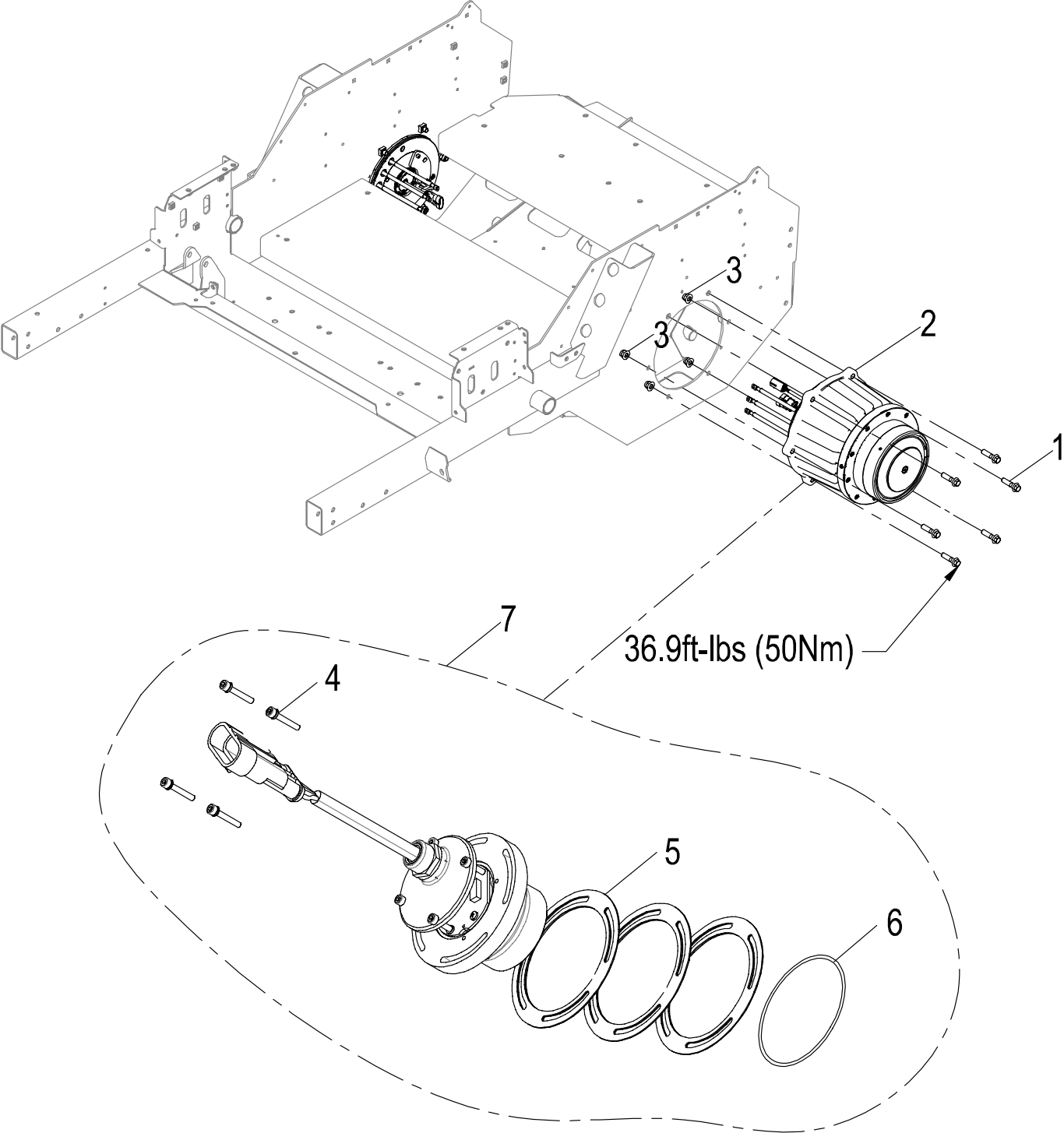
ITEM NO.	PART NO.	DESCRIPTION	QTY
45-01	R0205180-00	Bracket	2
45-02	R0200521-00	Locking Flange Nut, M10	12
45-03	R0200737-00	Bushing, $\Phi$ 28.5	2
45-04	R0200765-00	Bolt, Flange M10 $\times$ 50	4
45-05	R0205208-00	Washer, $\Phi$ 11	4
45-06	R0205140-00	Spacer	4
45-07	R0201370-00	Carriage Bolt, M10 $\times$ 60	4
45-08	R0209727-00	Articulated Plate	1
45-09	R0200525-00	Carriage Bolt, M10 $\times$ 50	4
45-10	R0200504-00	Bolt, Hex M10 $\times$ 70	1
45-11	R0205104-00	Washer, $\Phi$ 10.5	1
45-12	R0205304-00	Connector Spring	1
45-13	R0205186-00	Knob Bolt	1
45-14	R0205150-00	Washer, $\Phi$ 28.5	4
45-15	R0205159-00	Spacer, $\Phi$ 28.2 $\times$ 33	4
45-16	R0205166-00	Shaft Circlips	2
45-17	R0205115-00	Bushing, $\Phi$ 16 $\times$ 31.3	4
45-18	R0205160-00	Sleeve, $\Phi$ 15.8 $\times$ 31.4	4
45-19	R0205435-00	Plain Washers, $\Phi$ 10	4
45-20	R0211356-00	Push Handle	1

# WHEELS



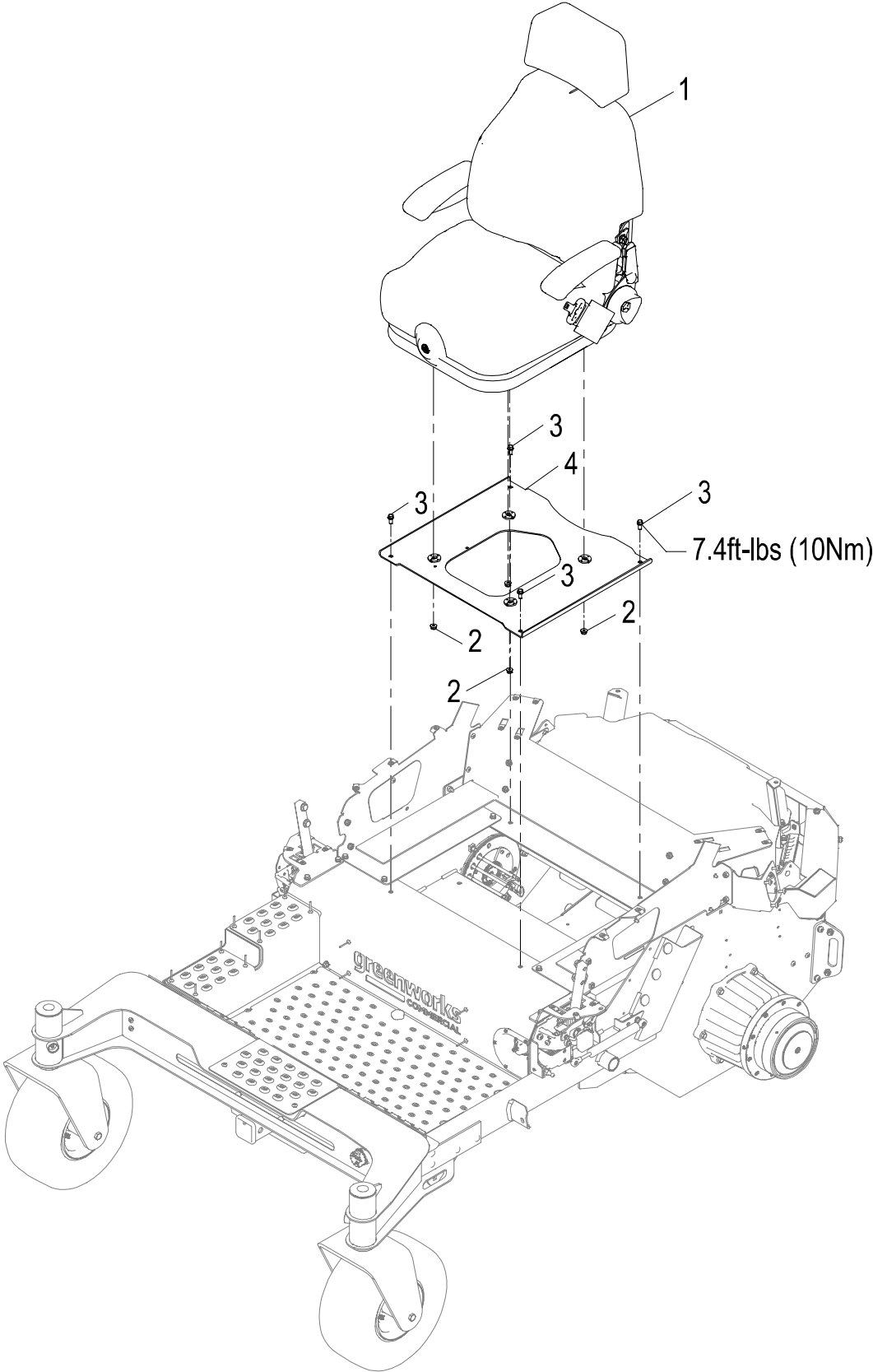
ITEM NO.	PART NO.	DESCRIPTION	QTY
51-01	R0205206-00	Lug Bolt, M12-1.5	10
51-02	R0210087-00	Rear Wheel Tire, 26×14-12	2
51-03	R0210086-00	Rear Wheel Rim, 12×10.5	2
51-04	R0205114-00	Dust Cap	2
51-05	R0200372-00	Locking Nut, M20	2
51-06	R0200373-00	Belville Washer, Φ20	6
51-07	R0200374-00	Bearing, Φ32	4
51-08	R0200375-00	Oil Seal	2
51-09	R0209729-00	Front Fork Weldment	2
51-10	R0201270-00	Bolt, Hex M12×240	2
51-11	R0200369-00	Locking Flange Nut, M12	2
51-12	R0210088-00	Front Wheel Tire	2
51-13	R0206811-00	Front Wheel Rim	2
51-14	R0206812-00	Front Wheel Shaft Sleeve	2
51-15	R0206813-00	Bearing	4
51-16	R0206814-00	Oil Sealing	4
51-17	R0206815-00	Spacer, Φ20	4
51-18	R0206816-00	Oil Cup	2

# DRIVE MOTOR AND TRANSMISSION



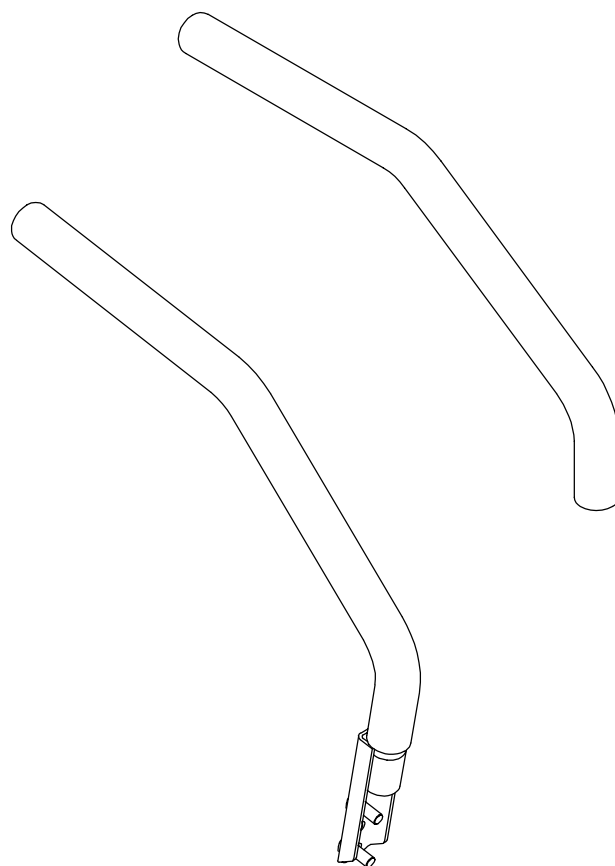
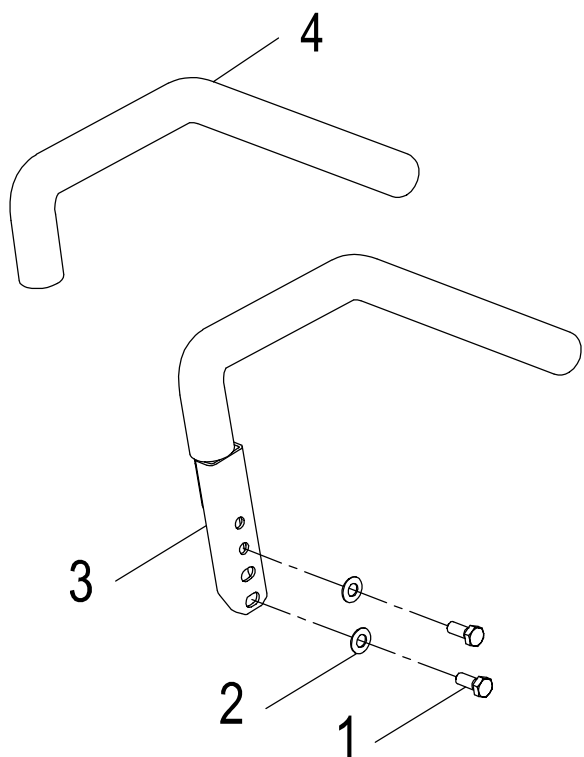
ITEM NO.	PART NO.	DESCRIPTION	QTY
55-01	R0200544-00	Bolt, Flange M10×40	12
55-02	R0209731-00	Drive Motor	2
55-03	R0200521-00	Locking Flange Nut, M10	8
55-04	R0206535-00	Hex Screw, M2.5×16	8
55-05	R0206536-00	Washer, Φ52×Φ68×0.5	6
55-06	R0206537-00	O-Ring	2
55-07	R0209821-00	Encoder Assembly	2

# SEAT



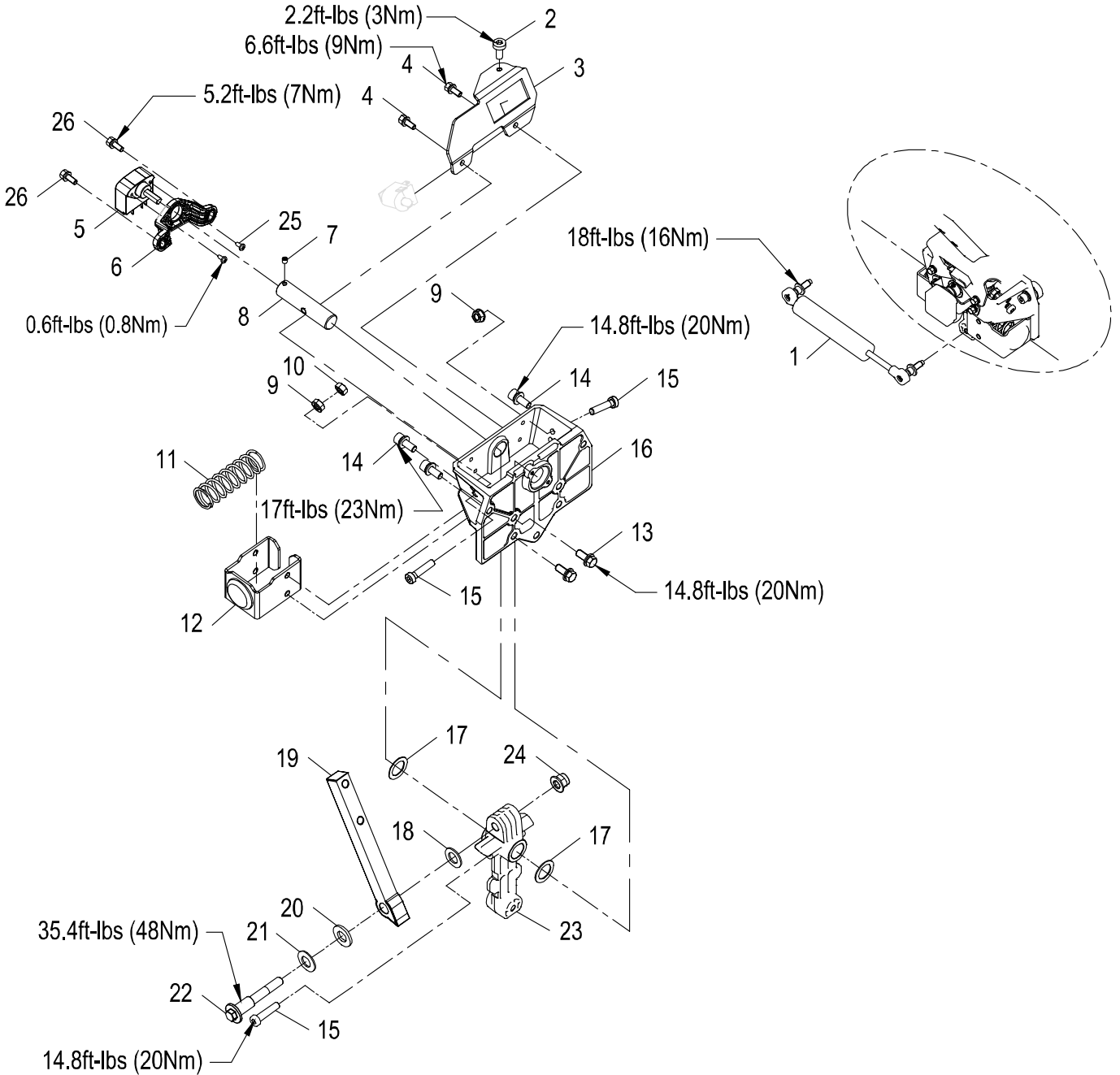
ITEM NO.	PART NO.	DESCRIPTION	QTY
61-01	R0209732-00	Seat	1
61-02	R0210418-00	Nut, 5/16-18	4
61-03	R0200534-00	Bolt, Hex with Washers M8×20	4
61-04	R0209733-00	Seat Mounting Plate	1

# CONTROL HANDLE GENERAL ASSEMBLY



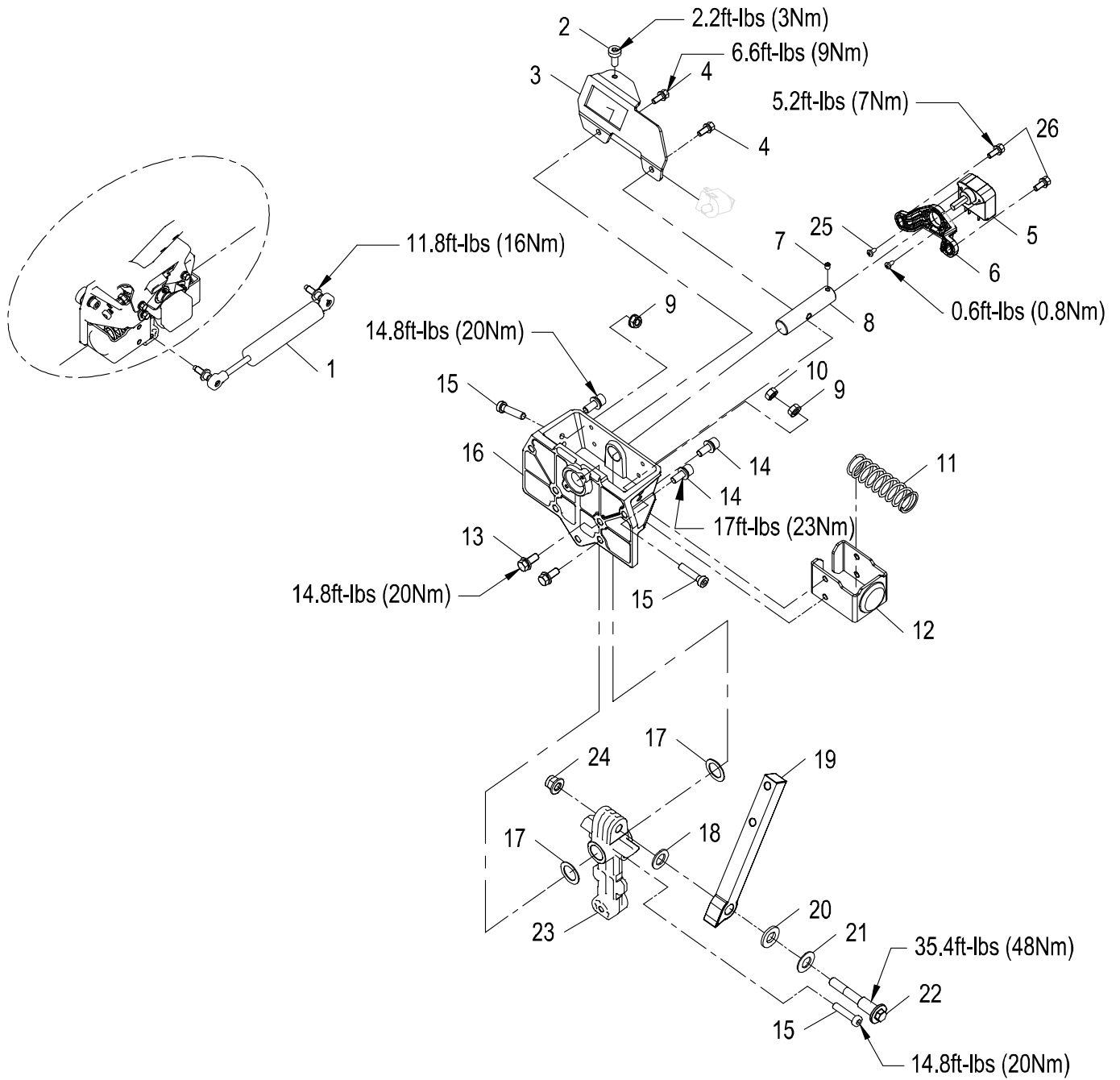
ITEM NO.	PART NO.	DESCRIPTION	QTY
63-01	R0200509-00	Hexagon Head Bolts, M10×25	4
63-02	R0200378-00	Disc Spring, Φ11.2×Φ22.5×1.25	4
63-03	R0209734-00	Control Handle Weldment	2
63-04	R0209735-00	Control Handle Rubber Sleeve	2

# RIGHT OPERATION ASSEMBLY



ITEM NO.	PART NO.	DESCRIPTION	QTY
64-01	R0201538-00	Damper	1
64-02	R0205232-00	Pan Head Screws, M6×20	1
64-03	R0205111-00	Upper Bracket Weldment	1
64-04	R0200532-00	Bolt, Hex with Washers M6×16	2
64-05	R0210420-00	Curtis Potentiometer	1
64-06	R0205109-00	Potentiometer Connecting Plate	1
64-07	R0200564-00	Socket Head Cap Screw, M6×6	1
64-08	R0201342-00	Potentiometer Connection Shaft	1
64-09	R0200513-00	Nut, M8×8	2
64-10	R0200519-00	Nut, M8×6.8	1
64-11	R0201343-00	Compression Spring	1
64-12	R0202532-00	Spring Seat Assembly	1
64-13	R0200534-00	Bolt, Hex with Washers M8×20	2
64-14	R0205184-00	Socket Raised Head Screw with Collar, M8×25	3
64-15	R0201350-00	Socket Head Cap Screw, M8×35	3
64-16	R0205098-00	Bracket	1
64-17	R0201353-00	Nylon Washer, Φ20.2×Φ30×1	2
64-18	R0201356-00	Nylon Pad	1
64-19	R0201357-00	Control Arm Handle	1
64-20	R0201358-00	Washer, Φ14.5×Φ28	1
64-21	R0201362-00	Disc Spring, Φ14.2×Φ28×1.5	1
64-22	R0201363-00	Customized Bolt, M10×85	1
64-23	R0205112-00	Swing Arm	1
64-24	R0200521-00	Locking Flange Nut, M10	1
64-25	R0205450-00	Pan Head Tapping Screws, ST4.2×13	2
64-26	R0201279-00	Screw with Washers, Torx T30 M6×20	2

# LEFT OPERATION ASSEMBLY



ITEM NO.	PART NO.	DESCRIPTION	QTY
65-01	R0201538-00	Damper	1
65-02	R0205232-00	Pan Head Screws, M6×20	1
65-03	R0205183-00	Upper Bracket Weldment	1
65-04	R0200532-00	Bolt, Hex With Washers M6×16	2
65-05	R0210420-00	Curtis Potentiometer	1
65-06	R0205109-00	Potentiometer Connecting Plate	1
65-07	R0200564-00	Socket Head Cap Screw, M6×6	1
65-08	R0201342-00	Potentiometer Connection Shaft	1
65-09	R0200513-00	Nut, M8×8	2
65-10	R0200519-00	Nut, M8×6.8	1
65-11	R0201343-00	Compression Spring	1
65-12	R0202532-00	Spring Seat Assembly	1
65-13	R0200534-00	Bolt, Hex with Washers M8×20	2
65-14	R0205184-00	Socket Raised Head Screw with Collar, M8×25	3
65-15	R0201350-00	Socket Head Cap Screw, M8×35	3
65-16	R0205098-00	Bracket	1
65-17	R0201353-00	Nylon Washer, Φ20.2×Φ30×1	2
65-18	R0201356-00	Nylon Pad	1
65-19	R0201357-00	Control Arm Handle	1
65-20	R0201358-00	Washer, Φ14.5×Φ28	1
65-21	R0201362-00	Disc Spring, Φ14.2×Φ28×1.5	1
65-22	R0201363-00	Customized Bolt, M10×85	1
65-23	R0205112-00	Swing Arm	1
65-24	R0200521-00	Locking Flange Nut, M10	1
65-25	R0205450-00	Pan Head Tapping Screws, ST4.2×13	2
65-26	R0201279-00	Screw with Washers, Torx T30 M6×20	2

# **greenworks<sup>®</sup>** **COMMERCIAL**

**Greenworks Australia  
A Division Jak Max P/L  
380 Foley's Road Derrimut  
Victoria, Australia 3026  
[www.greenworksaustralia.com](http://www.greenworksaustralia.com)**