

CRT426 7405607AU Ver1

# TABLE OF CONTENTS

15_Label .....	4
28_Right Console .....	8
21_Frame, Chassis .....	10
32_Controller Panel .....	13
39_Lights Parts .....	15
31_Battery and Charger Parts .....	17
35_Switches & Meter Parts .....	20
33_Wire Harness Assembly .....	22
45_Height Adjustment System Assembly .....	25
43_Discharge Chute Assembly .....	28
42_Deck Assembly .....	30
41_Deck & Motors & Blades Parts .....	32
55_Drive Motor and Transmission Parts .....	35
51_Wheels Assembly .....	37
66_Steering Assembly .....	40
61_Seat .....	44
68_Pedal Assembly .....	46
67_Steering Control Assembly .....	48

## 10\_Label components

# 15\_Label



21 Rendered by LeadVenture, Inc.

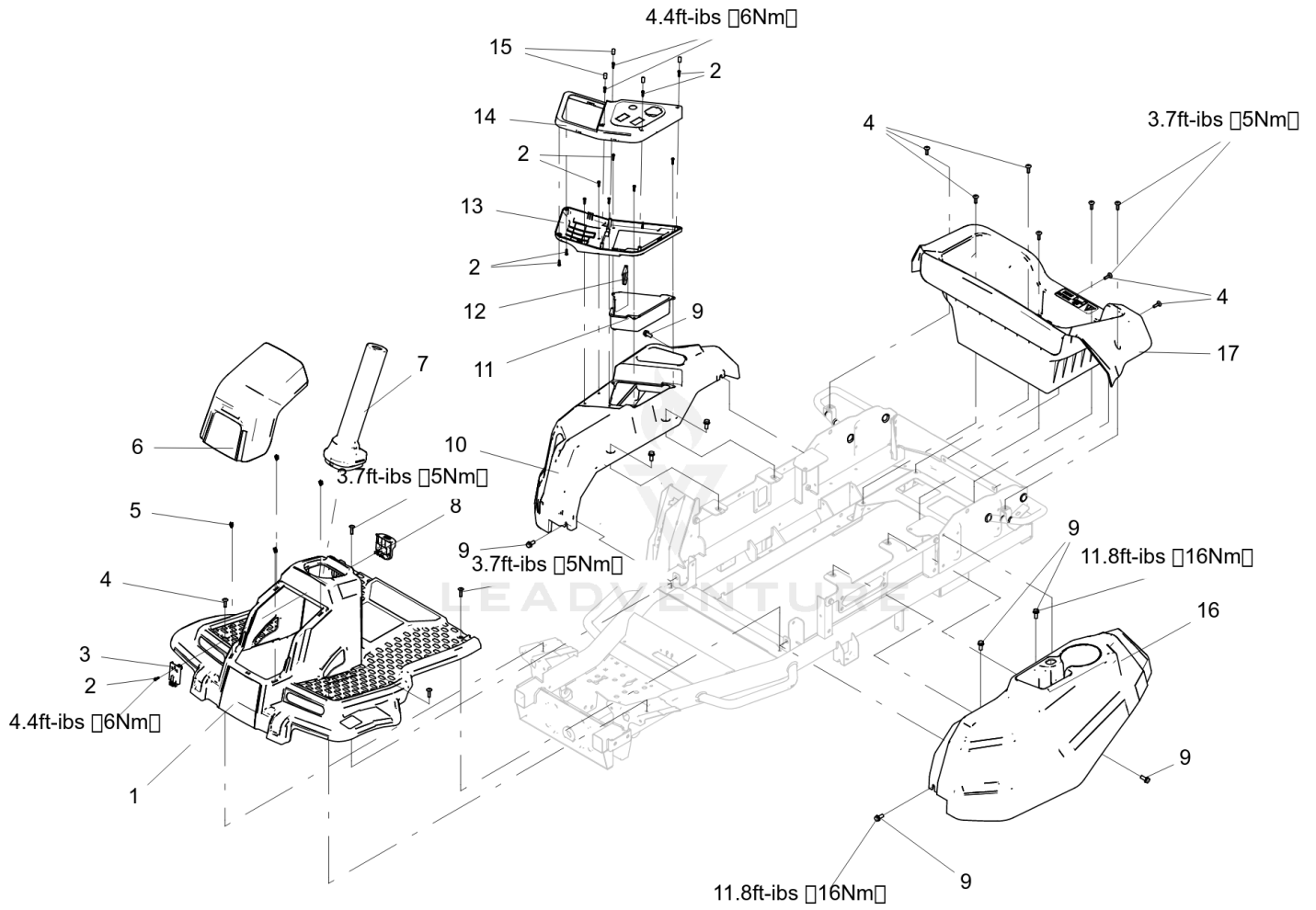
## 15\_Label

<b>Ref Number</b>	<b>Part Number</b>	<b>Part Description</b>	<b>Context Notes</b>	<b>Quantity</b>
1	R0105712-00	CRT426(TYPE3) Data Label		1
2	R0105713-00	Warning Icon Label		1
3	R0103175-00	No Towing Label		1
4	R0105705-00	Cutting Height Adjustment Label		1
5	R0104308-00	No Standing Label		1
6	R0105706-00	Battery Compartment Label A		1
7	R0105707-00	Battery Compartment Label B		1
8	R0105708-00	Battery Compartment Label C		1
9	R0105709-00	60V Battery Label		1
10	R0105714-00	Weight Limit Label		1
11	R0105711-00	Battery Warning Label		1
12	R0103843-00	Warning Label, Keep H/F Away		1
13	R0208470-00	Greenworks Logo Label		1
14	R0208472-00	42" Size Label		1
15	R0104106-00	Greenworks Logo Label (steering wheel)		1
16	R0208476-00	Label, SN (CN)		1
17	R0209223-00	Greenworks Logo Label, Side		2
18	R0209224-00	Greenworks Logo Label, Rear		1
19	R0105715-00	GW CRT426 Model Label		1

<b>Ref Number</b>	<b>Part Number</b>	<b>Part Description</b>	<b>Context Notes</b>	<b>Quantity</b>
20	R0210640-00	Label, APP Pairing Code		1
21	R0104109-00	Panel Label		1
22	R0208471-00	Label, Key		1

## 20\_Body and Structures System

### 28\_Right Console

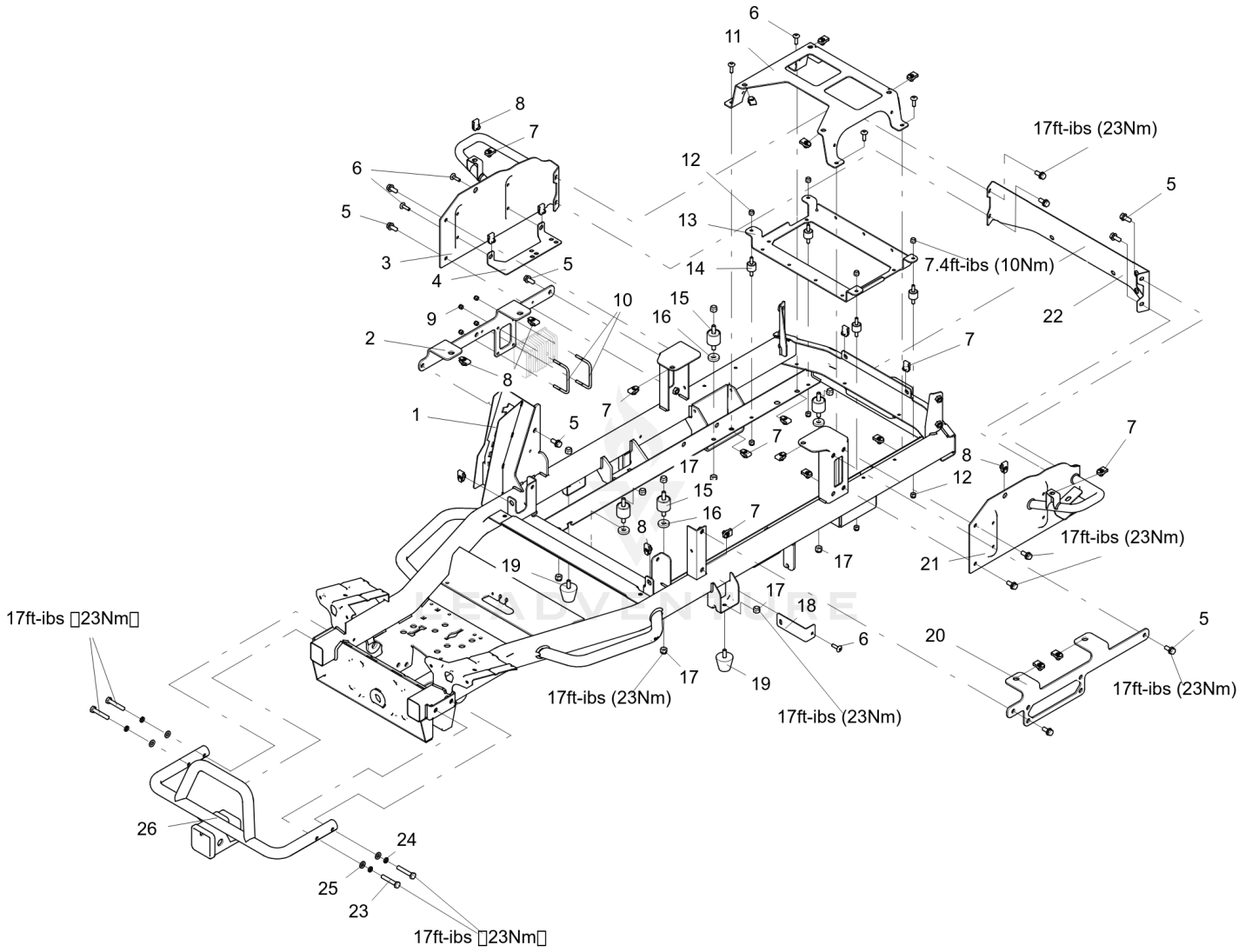


Rendered by LeadVenture, Inc.

## 28\_Right Console

<b>Ref Number</b>	<b>Part Number</b>	<b>Part Description</b>	<b>Context Notes</b>	<b>Quantity</b>
1	R0209410-00	Foot Pedal		1
2	R0203426-00	Screw, Torx T20 ST4*16		13
3	R0103068-00	Connector		1
4	R0201376-00	Screw, Torx T30 M6*20		12
5	R0202010-00	Trim Clip		4
6	R0202011-00	Decorative cover		1
7	R0103033-00	Steering Column Cover		1
8	R0209467-00	Parking Handle		1
9	R0200534-00	Bolt, Hex With Washers M8×20		8
10	R0209409-00	Right Guard		1
11	R0103044-00	Guard		1
12	R0103200-00	Wire Protective Sleeve		1
13	R0208528-00	Lower Housing, Switch Panel		1
14	R0208527-00	Upper Housing, Switch Panel		1
15	R0103202-00	Plug		4
16	R0209408-00	Left Cover Piece		1
17	R0202009-00	Bucket		1

## 21\_Frame, Chassis



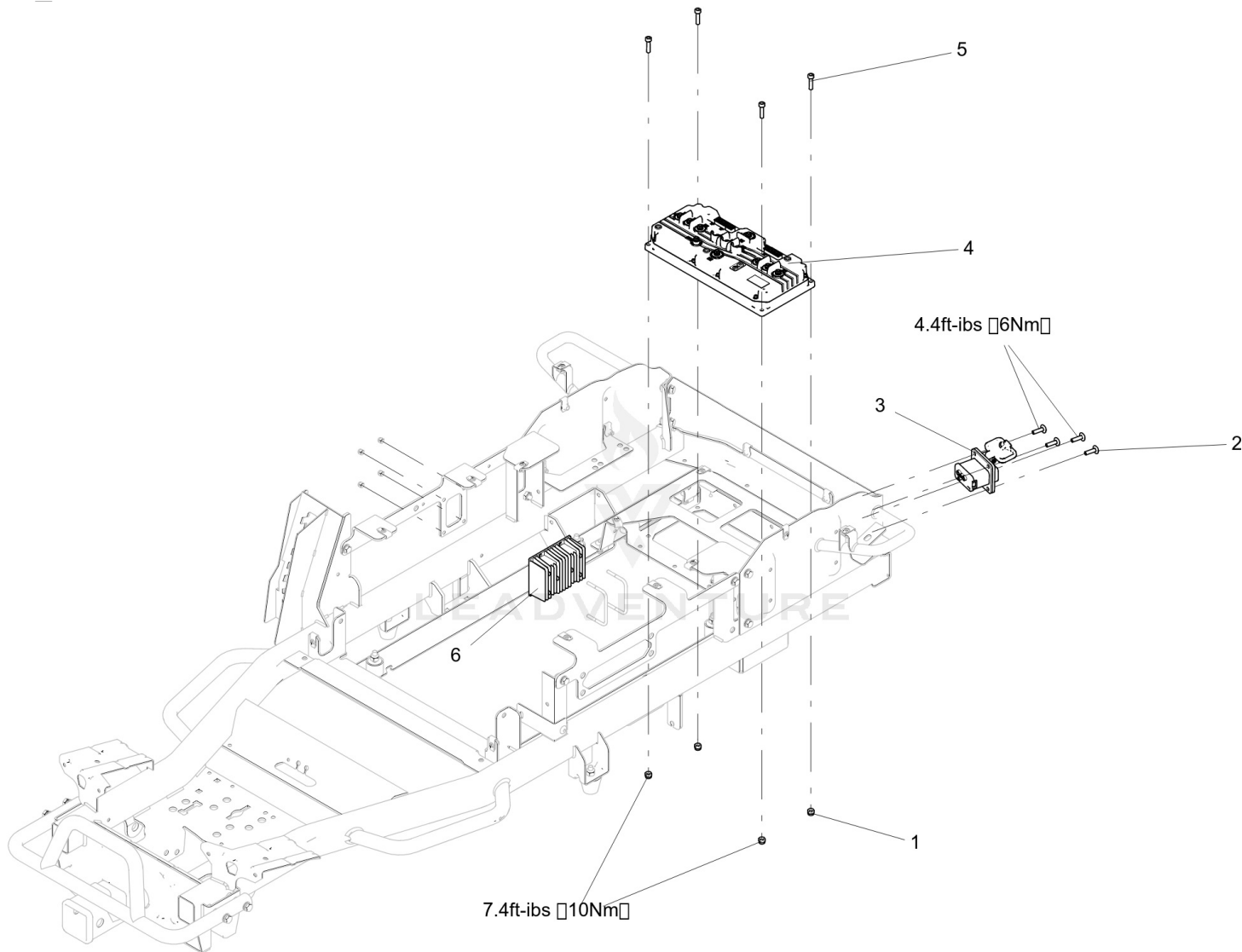
Rendered by LeadVenture, Inc.

## 21\_Frame, Chassis

Ref Number	Part Number	Part Description	Context Notes	Quantity
1	R0209411-00	Frame Weldment		1
2	R0203249-00	Mounting plate		1
3	R0202524-00	Right Reset Bracket		1
4	R0103045-00	Adapting Plate		1
5	R0200534-00	Bolt, Hex With Washers M8×20		12
6	R0201376-00	Screw, Torx T30 M6*20		7
7	R0201314-00	Nut, Clip-on M6		17
8	R0200549-00	Nut M8		8
9	R0200517-00	Hexagon Nuts, M5		4
10	R0202027-00	Lock Threaded Rod		2
11	R0207101-00	Controller Mounting Plate		1
12	R0200518-00	Locking Nut, M6		8
13	R0209406-00	Controller Mounting Plate		1
14	R0202578-00	Insulation Pad		4
15	R0201412-00	Rubber Bumper		4
16	R0203158-00	Washer, Φ9		4
17	R0200520-00	Locking Nut, M8		10
18	R0203273-00	Bracket		1
19	R0200710-00	Rubber Bumper		2
20	R0202007-00	Mounting plate		1
21	R0203165-00	Left Side Plate		1
22	R0104274-00	Body Rear		1
23	R0200498-00	Bolt M8×45		4
24	R0200540-00	Washer, Φ8.1		4
25	R0200548-00	Plain Washers, Φ8		4
26	R0202018-00	Bumper		1

## 30\_Electrical System

### 32\_Controller Panel

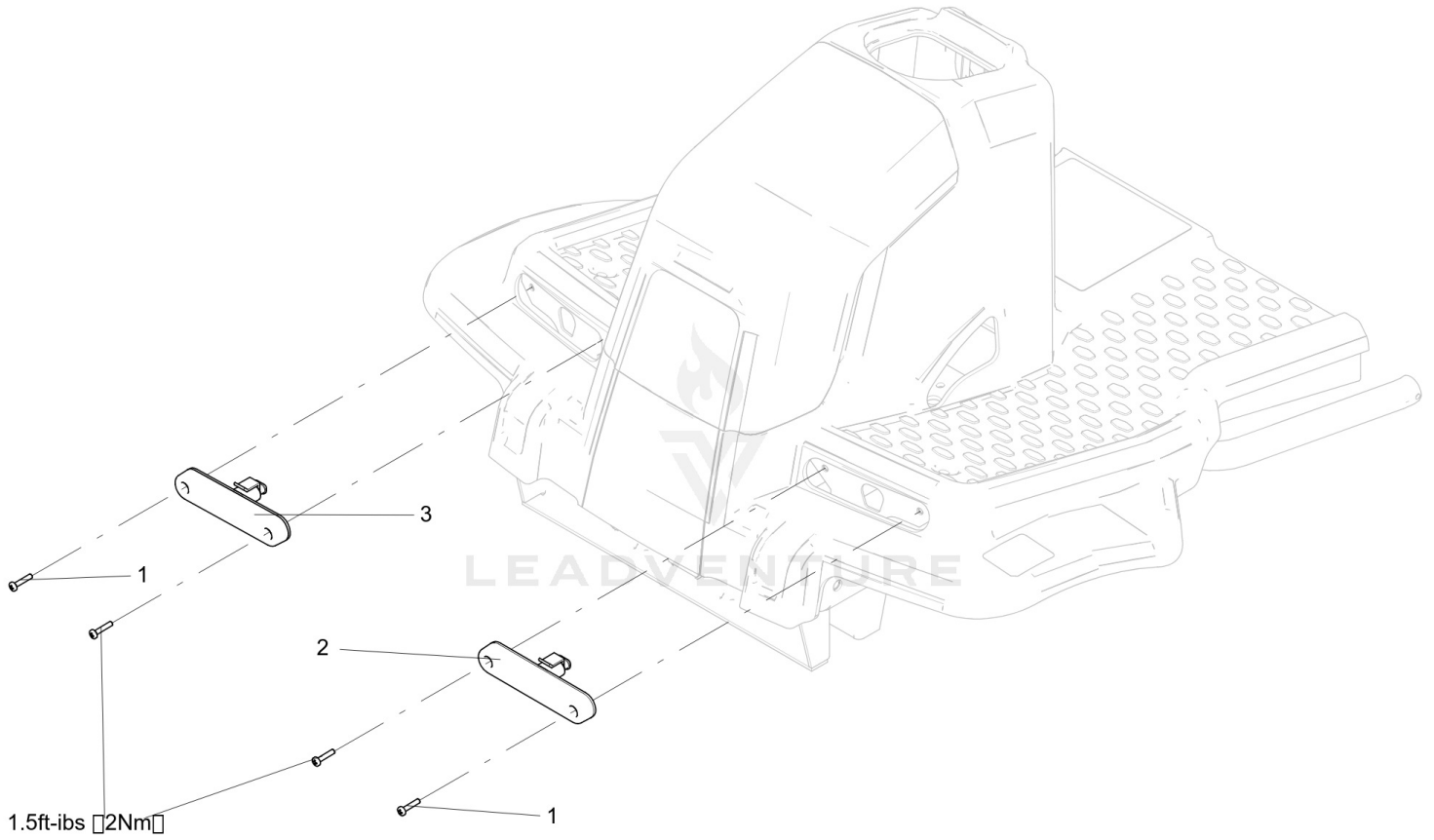


Rendered by LeadVenture, Inc.

## 32\_Controller Panel

<b>Ref Number</b>	<b>Part Number</b>	<b>Part Description</b>	<b>Context Notes</b>	<b>Quantity</b>
1	R0200518-00	Locking Nut, M6		4
2	R0201376-00	Screw, Torx T30 M6*20		4
3	R0208112-00	Charge Socket, 60V		1
4	R0211627-00	3-in-1 Controller		1
5	R0201415-00	Socket Head Cap Screw M6×25		4
6	R0202206-00	DC-DC		1

### 39\_Lights Parts

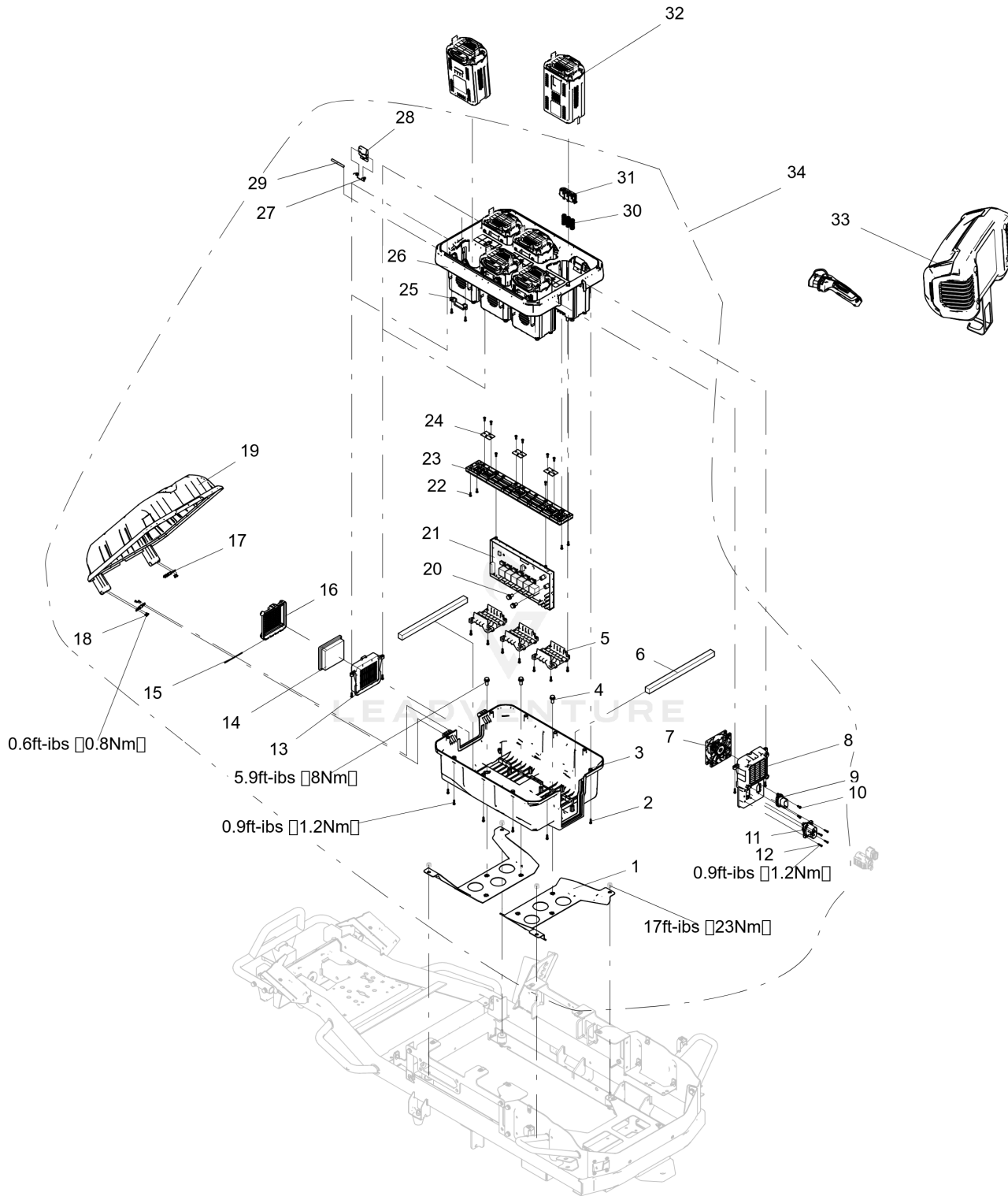


Rendered by LeadVenture, Inc.

39\_Lights Parts

<b>Ref Number</b>	<b>Part Number</b>	<b>Part Description</b>	<b>Context Notes</b>	<b>Quantity</b>
1	R0201545-00	Screw, Torx T20 ST4*20		4
2	R0202279-00	Light LED, RH		1
3	R0202278-00	Light LED, LH		1

### 31 Battery and Charger Parts



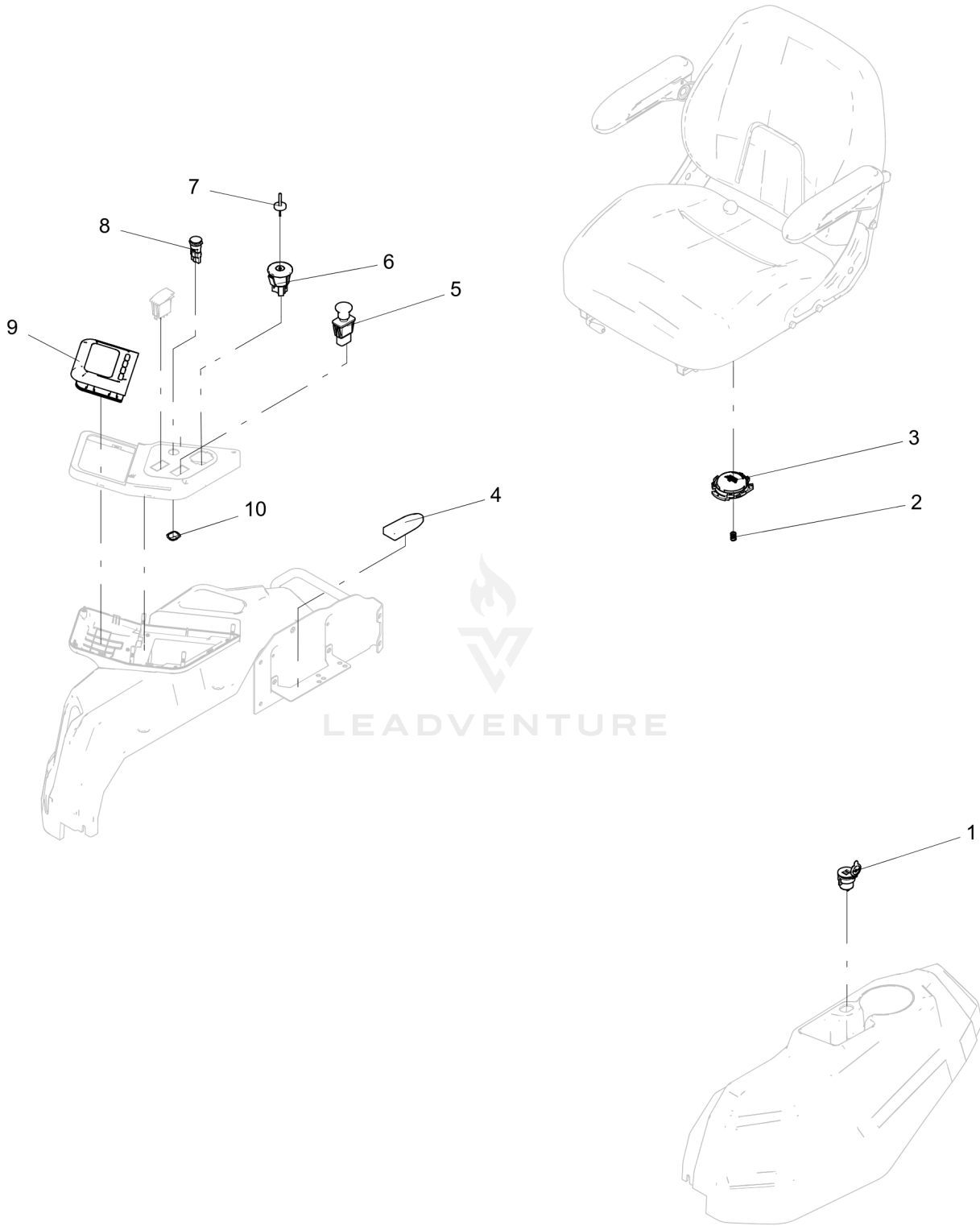
Rendered by LeadVenture, Inc.

## 31\_Battery and Charger Parts

<b>Ref Number</b>	<b>Part Number</b>	<b>Part Description</b>	<b>Context Notes</b>	<b>Quantity</b>
1	R0202636-00	Fixed Bracket		2
2	R0203426-00	Screw, Torx T20 ST4*16		38
3	R0202638-00	Base		1
4	R0200534-00	Bolt, Hex With Washers M8×20		6
5	R0203171-00	Terminal Retaining Plate		3
6	R0203160-00	Foam		2
7	R0202640-00	Fan		1
8	R0103039-00	Rear Cover		1
9	R0205047-00	Communication Line, Battery Compartment		1
10	R0203541-00	Screw, Torx T20 ST4*11		2
11	R0205048-00	Power Cords, Battery Compartment		1
12	R0203425-00	Pan Head Tapping Screws, ST2.9×16		4
13	R0202641-00	Middle Cover		1
14	R0202642-00	Filter Element		1
15	R0202644-00	Rotating Shaft		1
16	R0202643-00	Front Cover		1
17	R0202646-00	Flap Hinge		2
18	R0203286-00	Screw, M3*6		8

<b>Ref Number</b>	<b>Part Number</b>	<b>Part Description</b>	<b>Context Notes</b>	<b>Quantity</b>
19	R0208555-00	Battery Pack Flap Assembly		1
20	R0200380-00	Bolt, Hex with Washers M8*16		2
21	R0210653-00	PCBA (PMU), 60V		1
22	R0202649-00	Screw, Torx T20 ST4*10		12
23	R0202650-00	Base Mounting Plate		1
24	R0203237-00	Light Indicator Board		3
25	R0206560-00	Plate, Release Button		6
26	R0203172-00	Battery Box, 60V		1
27	R0202672-00	Torsional Spring		6
28	R0203174-00	Battery Release Button		6
29	R0103981-00	Battery Pack Release Button Shaft		6
30	R0202671-00	Reset Spring		18
31	R0203287-00	Spring Base		6
32	2962207AU	60V 8AH Battery without bluetooth		6
33	2960007AU	Greenworks 60V 1.5KW Charger		1
34	R0210654-00	Battery Compartment Assembly, 60V		1

### 35 Switches & Meter Parts

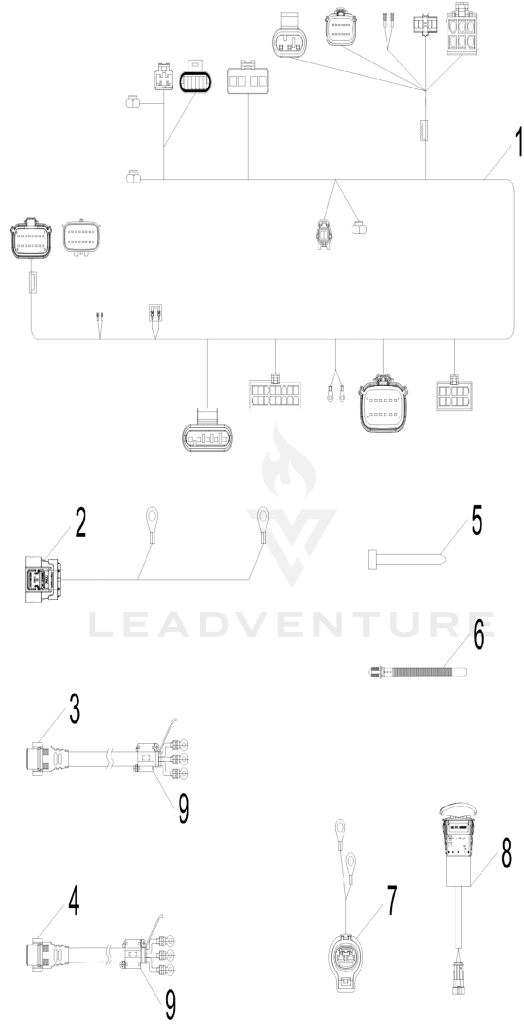


Rendered by LeadVenture, Inc.

## 35\_Switches &amp; Meter Parts

<b>Ref Number</b>	<b>Part Number</b>	<b>Part Description</b>	<b>Context Notes</b>	<b>Quantity</b>
1	R0201612-00	USB		1
2	R0210714-00	Compression Spring		1
3	R0102987-00	Switch, Seat		1
4	R0103185-00	Antenna		1
5	R0202542-00	PTO Switch		1
6	R0208458-00	Ignition Key		1
7	R0201216-00	Key		1
8	R0103182-00	Reverse Mowing Switch Button		1
9	R0211629-00	LCD Dashboard		1
10	R0203538-00	Eccentric block washer		1

### 33\_Wire Harness Assembly



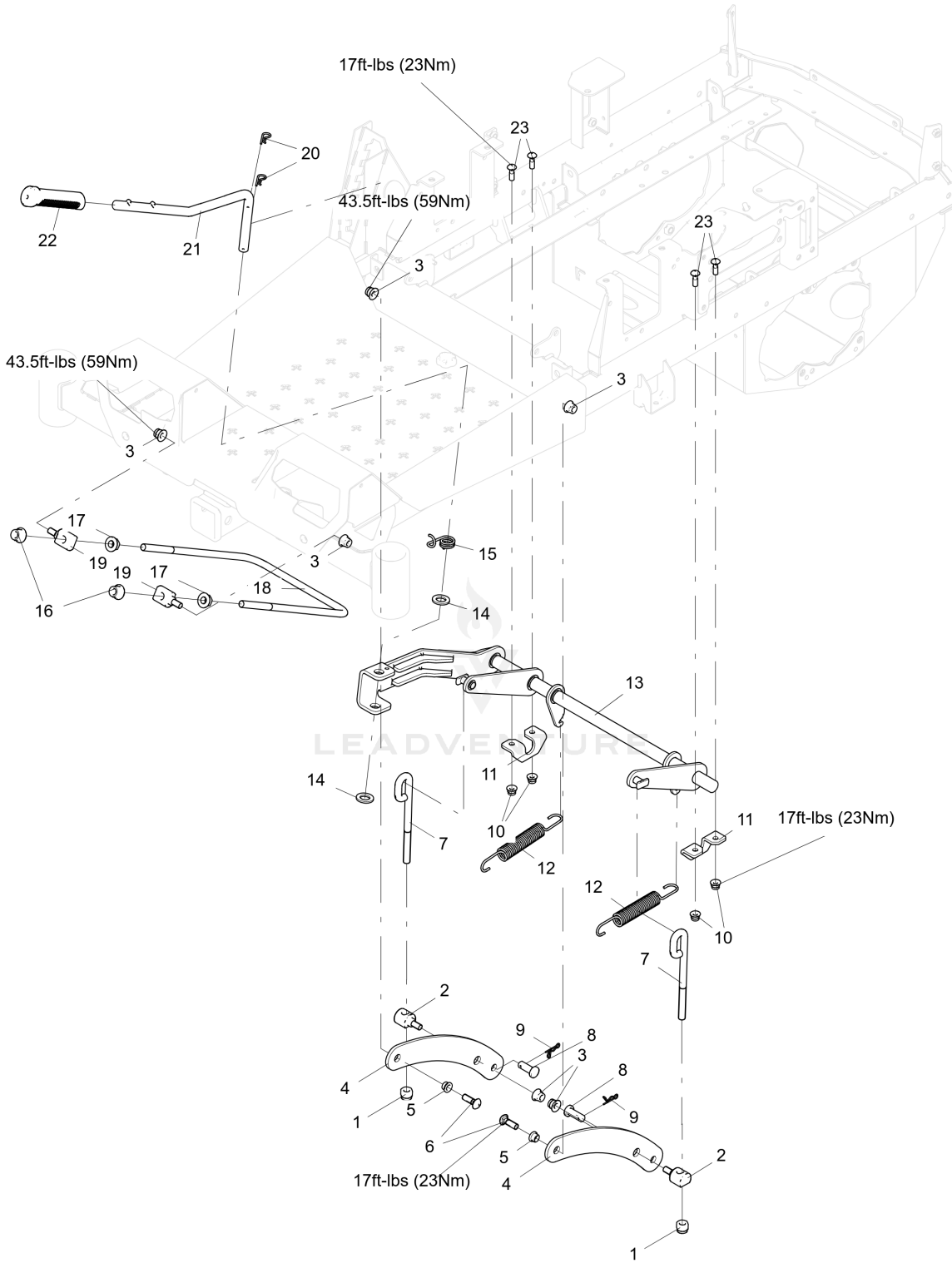
Rendered by LeadVenture, Inc.

## 33\_Wire Harness Assembly

<b>Ref Number</b>	<b>Part Number</b>	<b>Part Description</b>	<b>Context Notes</b>	<b>Quantity</b>
1	R0211628-00	Control Harness Assembly of Whole Machine		1
2	R0103179-00	Power Wiring Harness for Whole Machine		1
3	R0103180-00	Blade Motor Wire Harness Assembly		1
4	R0103181-00	Blade Motor Wire Harness Assembly		1
5	R0200390-00	Zip Tie, 4x200		50
6	R0202543-00	Zip Tie, 5.8x175		15
7	R0209710-00	Charging Cable		1
8	R0211630-00	Direction Switch		1
9	R0208154-00	Ferrite Sleeve, E04SRXA401938		2

## 40\_Deck System

# 45 Height Adjustment System Assembly



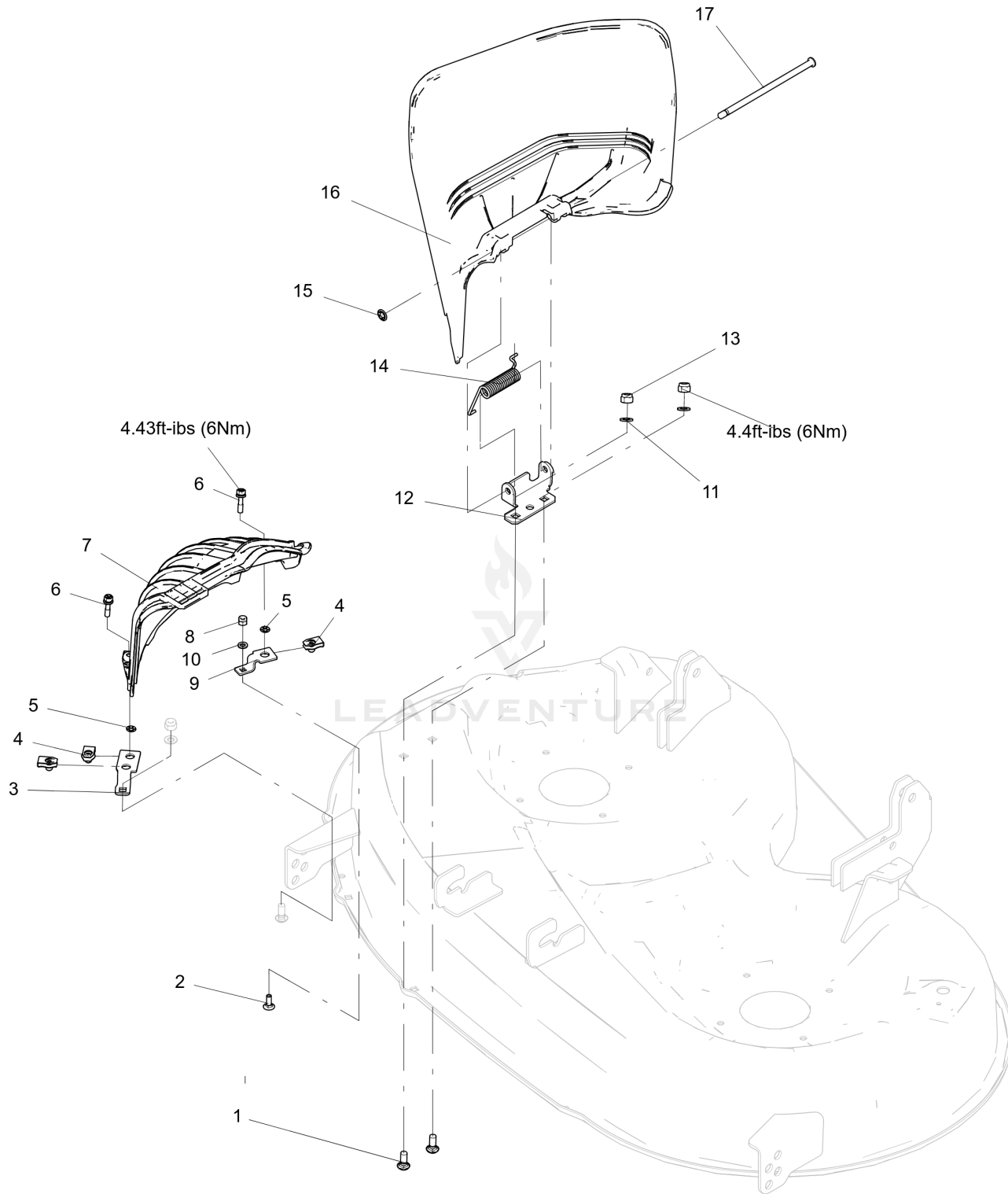
Rendered by LeadVenture, Inc.

## 45\_Height Adjustment System Assembly

<b>Ref Number</b>	<b>Part Number</b>	<b>Part Description</b>	<b>Context Notes</b>	<b>Quantity</b>
1	R0200515-00	Locking Nut, M12		2
2	R0202233-00	Trunnion		2
3	R0200521-00	Locking Flange Nut, M10		6
4	R0202232-00	Side Plate		2
5	R0201469-00	Sleeve		2
6	R0202231-00	Bolt, M10		2
7	R0202230-00	Height Adjustment Rod		2
8	R0202229-00	Pin Shaft		2
9	R0201398-00	Pin		2
10	R0200496-00	Locking Flange Nut, M8		4
11	R0201455-00	Fixed Plate		2
12	R0203167-00	Extension Spring		2
13	R0202227-00	Rear Height Adjustment Weldment		1
14	R0201475-00	Plain Washer, $\Phi 17$		2
15	R0203168-00	Torsional Spring		1
16	R0200369-00	Locking Flange Nut, M12		2
17	R0200559-00	Flange Nut, M12		2
18	R0201470-00	Forward Deck Hanger		1

<b>Ref Number</b>	<b>Part Number</b>	<b>Part Description</b>	<b>Context Notes</b>	<b>Quantity</b>
19	R0202225-00	Lock Pin		2
20	R0201478-00	R Pin		2
21	R0202224-00	Height Adjustment Lever		1
22	R0202223-00	Height Adjustment Handle Sleeve		1
23	R0200527-00	Carriage Bolt, M8×25		4

### 43 Discharge Chute Assembly

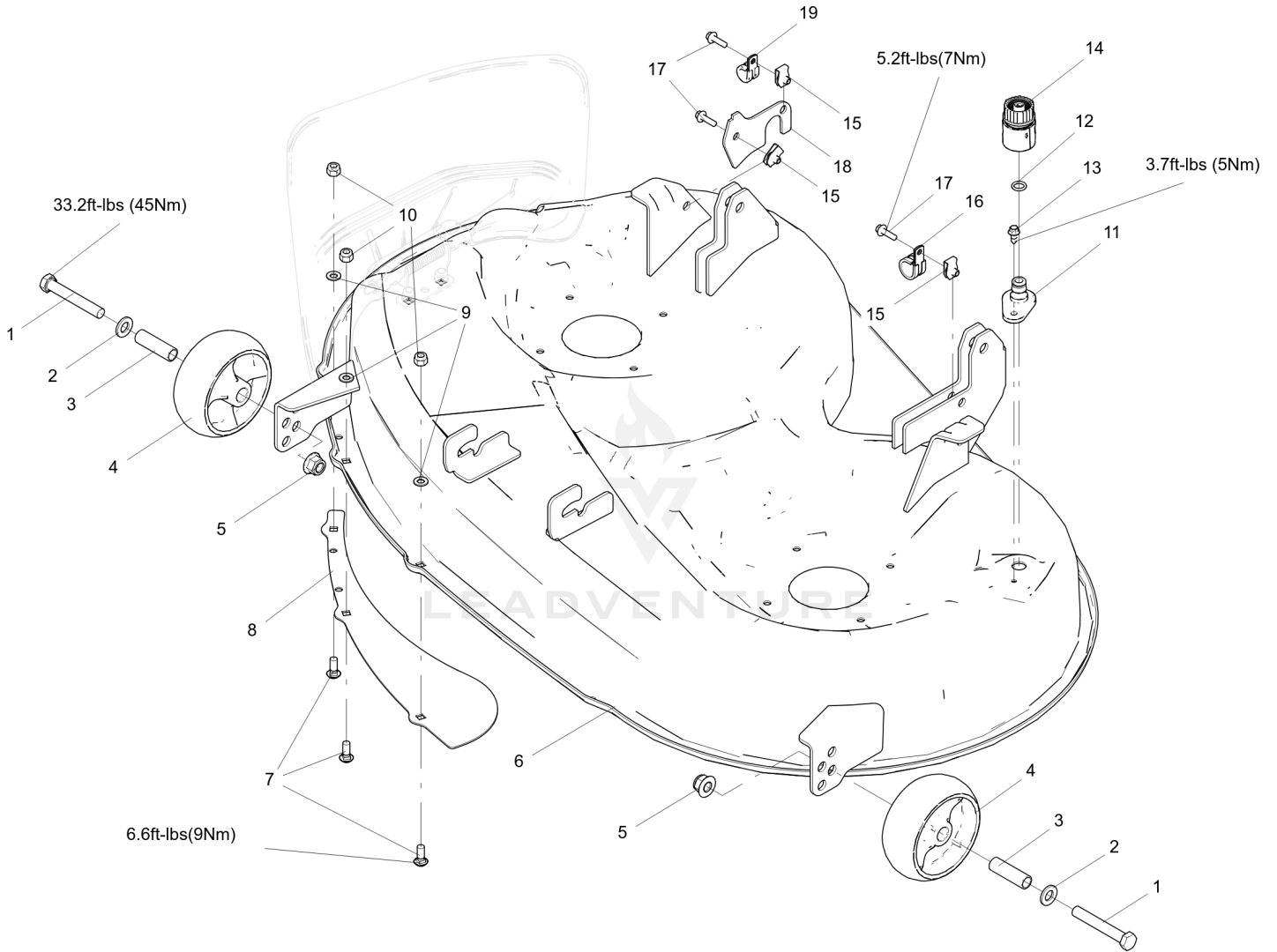


Rendered by LeadVenture, Inc.

## 43\_Discharge Chute Assembly

<b>Ref Number</b>	<b>Part Number</b>	<b>Part Description</b>	<b>Context Notes</b>	<b>Quantity</b>
1	R0200526-00	Cup Head Bolts-Grade B, M8*20		2
2	R0202300-00	Carriage Bolt, M6x16		1
3	R0202296-00	Fixed seat		1
4	R0201314-00	Nut, Clip-on M6		3
5	R0202297-00	Bearing Clip		2
6	R0202299-00	Customized bolt		2
7	R0202298-00	Mulch Chute, 42"		1
8	R0200518-00	Locking Nut, M6		1
9	R0202301-00	Fixed seat		1
10	R0200547-00	Plain Washers, $\Phi 6$		1
11	R0200548-00	Plain Washers, $\Phi 8$		2
12	R0202302-00	Straw Support Plate		1
13	R0200569-00	Lock Nut M8		2
14	R0202304-00	Torsional Spring		1
15	R0202303-00	Bearing Clip		1
16	R0202305-00	Discharge Chute Cover		1
17	R0202306-00	Fixed Pin		1

### 42\_Deck Assembly

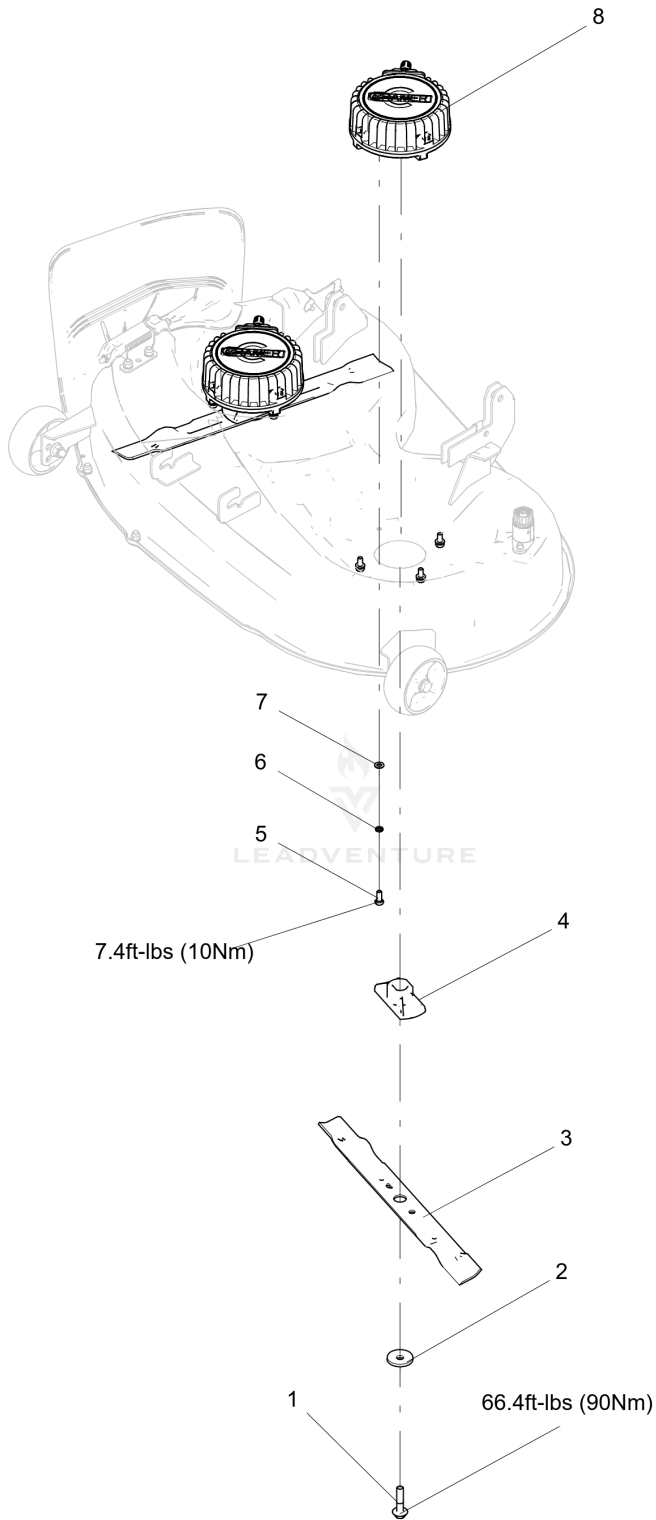


Rendered by LeadVenture, Inc.

## 42\_Deck Assembly

<b>Ref Number</b>	<b>Part Number</b>	<b>Part Description</b>	<b>Context Notes</b>	<b>Quantity</b>
1	R0200401-00	Bolt, Hex M12×80		2
2	R0200543-00	Plain Washer, Φ12		2
3	R0202286-00	Roller Shaft		2
4	R0202287-00	Roller Wheel		2
5	R0200523-00	Locking Nut, M8		2
6	R0202288-00	42" Deck Weldment		1
7	R0200526-00	Cup Head Bolts-Grade B, M8*20		3
8	R0202289-00	Air Guide Housing		1
9	R0200548-00	Plain Washers, Φ8		3
10	R0200569-00	Lock Nut M8		3
11	R0202291-00	Water Inlet and Outlet Connector		1
12	R0203283-00	O-Ring		1
13	R0202294-00	Phillips, ST6.3x16		1
14	R0203282-00	Adaptor		1
15	R0201314-00	Nut, Clip-on M6		3
16	R0103203-00	Wire Clamp		1
17	R0200507-00	Bolt M16×20		3
18	R0203340-00	Cord Clamp		1
19	R0205449-00	Cable Clamp		1

# 41 Deck & Motors & Blades Parts



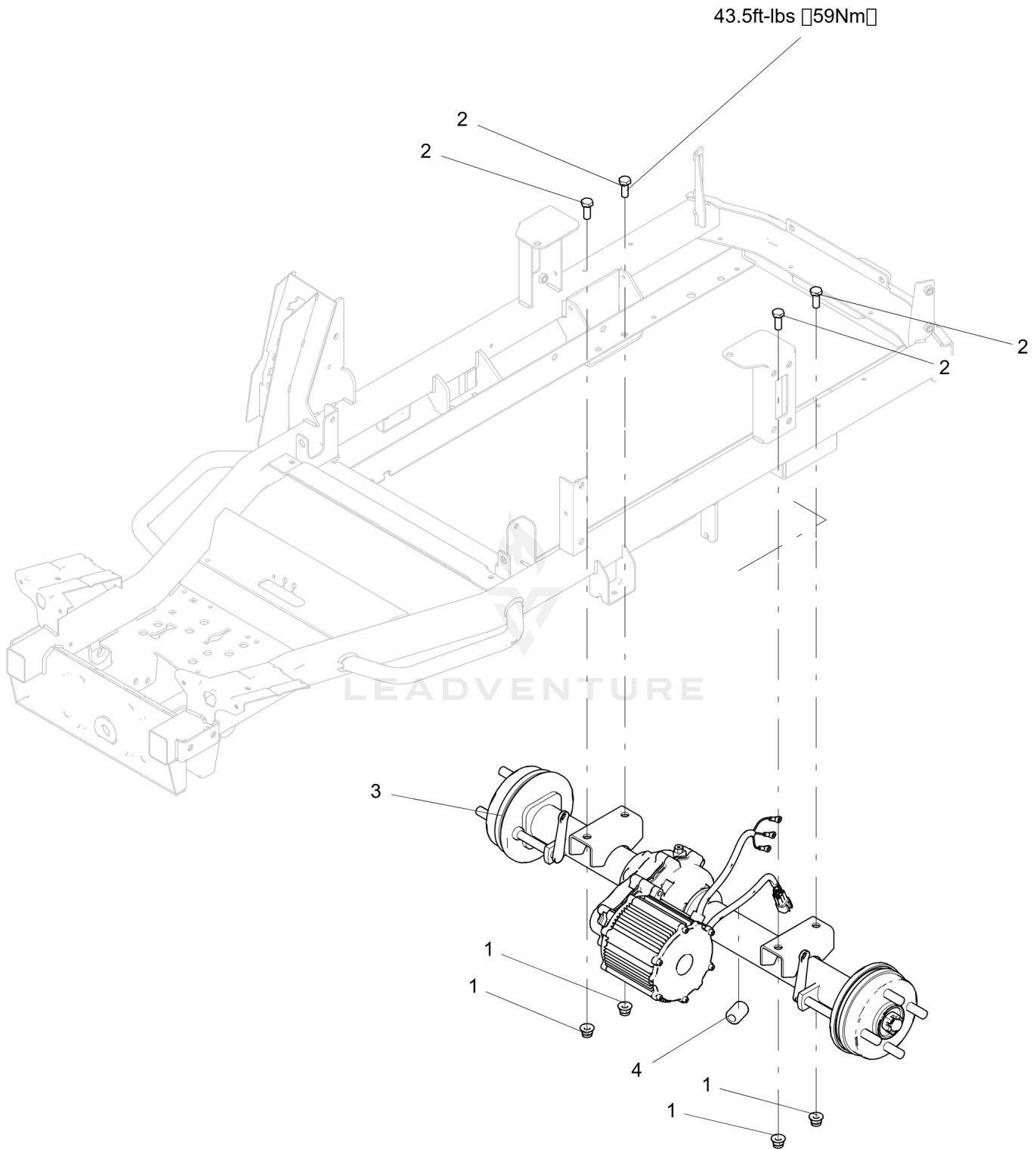
Rendered by LeadVenture, Inc.

## 41\_Deck &amp; Motors &amp; Blades Parts

<b>Ref Number</b>	<b>Part Number</b>	<b>Part Description</b>	<b>Context Notes</b>	<b>Quantity</b>
1	R0202285-00	Hexagon Head Bolts, 7/16-14UNC×50.8		2
2	R0202284-00	Blade Gasket		2
3	R0203256-00	2-in-1 Multi-Purpose Blade (42"/107cm Deck)		2
4	R0202282-00	Blade Collar		2
5	R0202281-00	Hexagon Head Bolts, 5/16-18UNC		8
6	R0202280-00	Spring Washer, $\Phi 8.1$		8
7	R0200548-00	Plain Washers, $\Phi 8$		8
8	R0210655-00	Blade Motor, 60V		2

## 50\_Drive System

# 55 Drive Motor and Transmission Parts



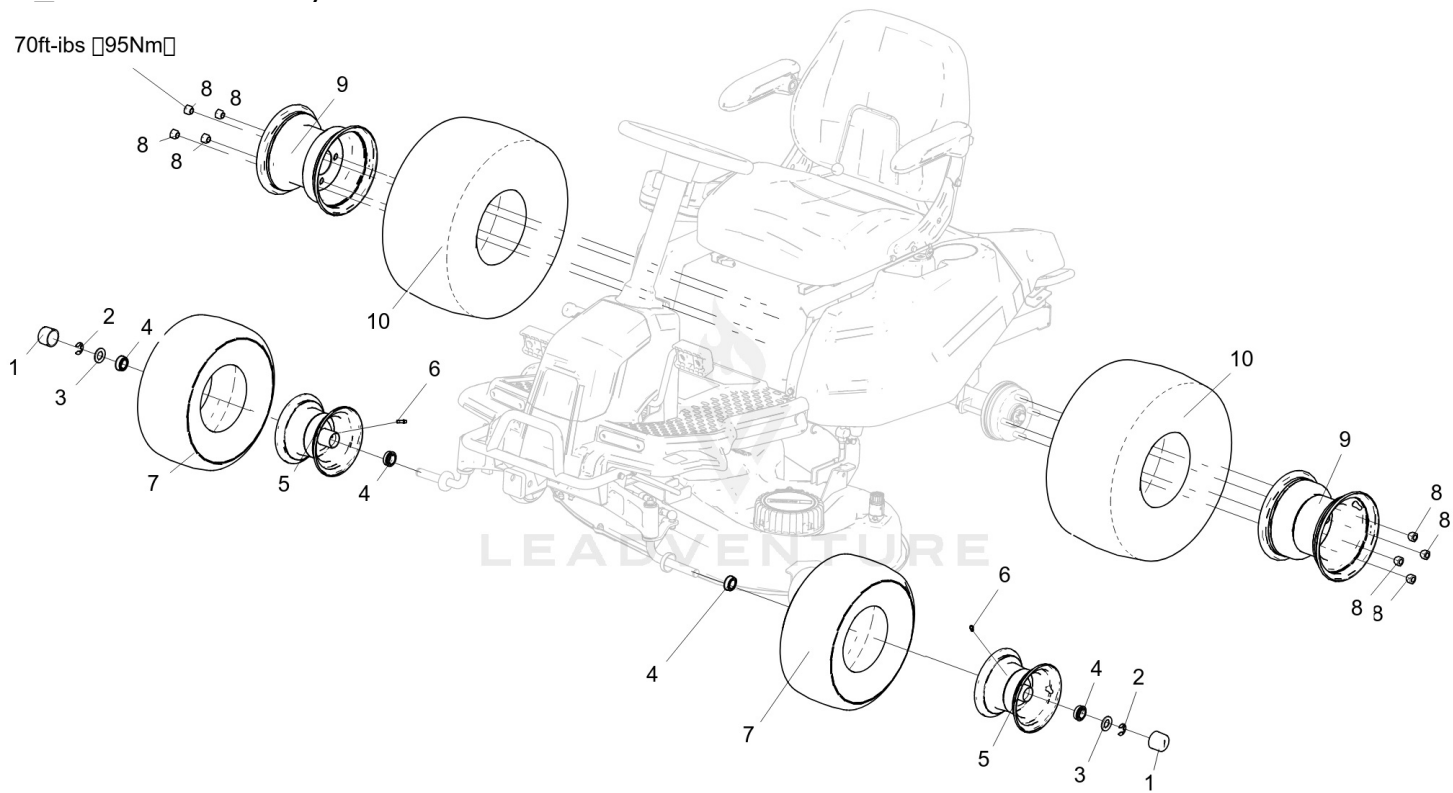
Rendered by LeadVenture, Inc.

55\_Drive Motor and Transmission Parts

<b>Ref Number</b>	<b>Part Number</b>	<b>Part Description</b>	<b>Context Notes</b>	<b>Quantity</b>
1	R0200521-00	Locking Flange Nut, M10		4
2	R0200509-00	Hexagon Head Bolts, M10X25		4
3	R0206519-00	Drive Motor Gearbox Assembly, 60V		1
4	R0208153-00	Ferrite, E04SRXA241336AB		1

# 51\_Wheels Assembly

70ft-lbs [95Nm]



Rendered by LeadVenture, Inc.

51\_Wheels Assembly

<b>Ref Number</b>	<b>Part Number</b>	<b>Part Description</b>	<b>Context Notes</b>	<b>Quantity</b>
1	R0202035-00	Front wheel cover		2
2	R0202036-00	Split Ring		2
3	R0202661-00	Washer, $\Phi$ 21		2
4	R0210163-00	Shaft Sleeve		4
5	R0210162-00	Rim		2
6	R0207948-00	Grease Zerk Fitting M6		2
7	R0209578-00	Tire, 15*6-6		2
8	R0200368-00	Nut, 1/2-20 UNF		8
9	R0208535-00	Rim, Rear Wheel, 20*10-8		2
10	R0208536-00	Tire, Rear Wheel, 20*10-8		2

## 60\_Operator System



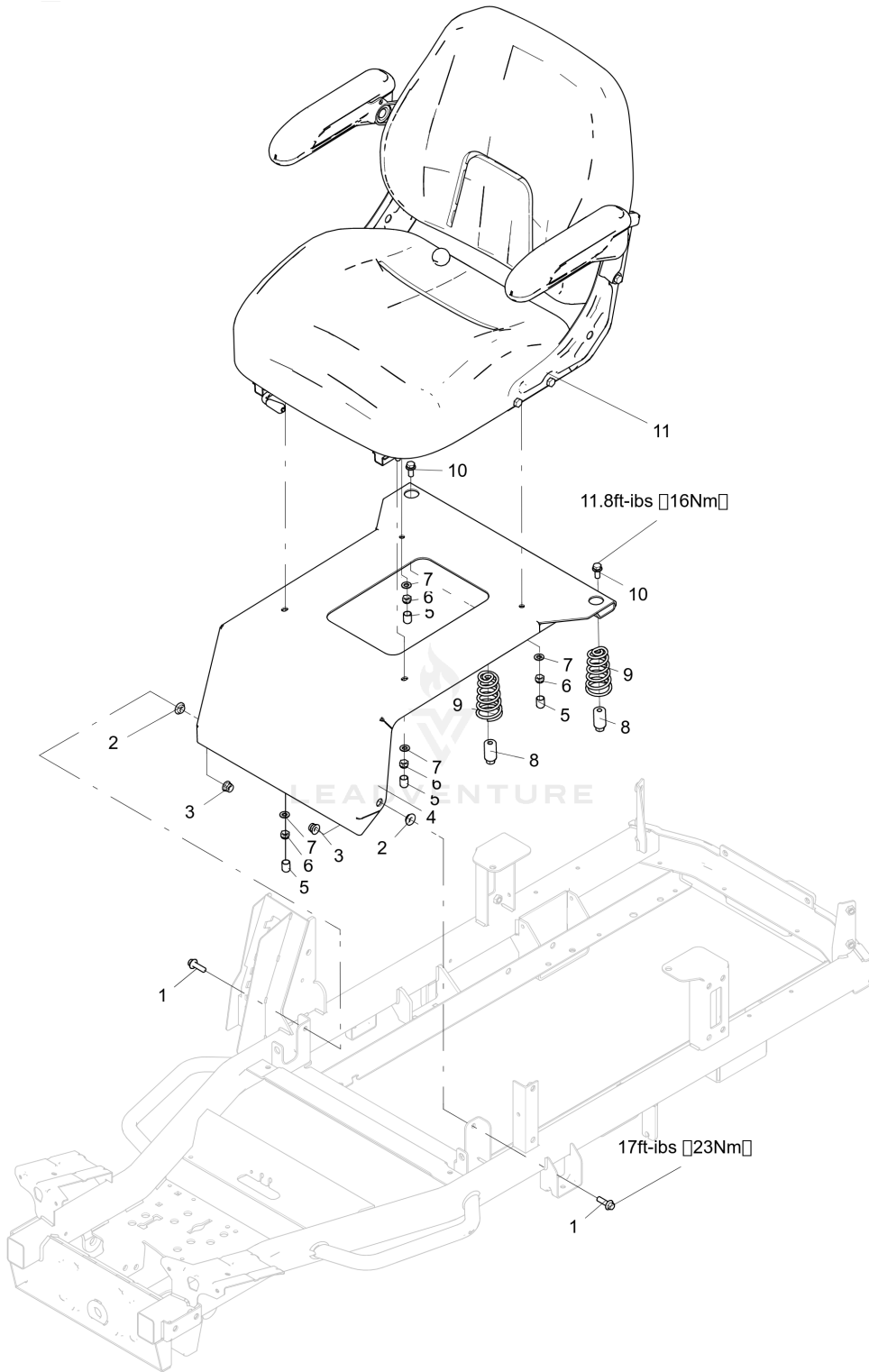
## 66\_Steering Assembly

<b>Ref Number</b>	<b>Part Number</b>	<b>Part Description</b>	<b>Context Notes</b>	<b>Quantity</b>
1	R0202041-00	Left front wheel axle weldment		1
2	R0200557-00	Locking Flange Nut, M10		4
3	R0202042-00	Shaft Sleeve		4
4	R0202036-00	Split Ring		2
5	R0200684-00	Grease Zerk Fitting M6		2
6	R0103053-00	Front Beam		1
7	R0202043-00	Pivot bolt		1
8	R0103052-00	Copper Bush		2
9	R0202045-00	Spacer Washer, $\Phi$ 13		1
10	R0202690-00	Nut, M12		1
11	R0202691-00	Right front wheel axle weldment		1
12	R0202052-00	Ball joint, LH Thread		2
13	R0200539-00	Nut M10		2
14	R0202053-00	Steering adjustment lever		2
15	R0202054-00	M10 anti-thread nut		2
16	R0202055-00	Ball joint, RH Thread		2
17	R0200520-00	Locking Nut, M8		2
18	R0200396-00	Bolt, M8*25		4

<b>Ref Number</b>	<b>Part Number</b>	<b>Part Description</b>	<b>Context Notes</b>	<b>Quantity</b>
19	R0202051-00	Steering rack		1
20	R0202058-00	Limit plate		2
21	R0202056-00	Pad		1
22	R0202057-00	Press plate		1
23	R0203255-00	Dust cover		1
24	R0201314-00	Nut, Clip-on M6		2
25	R0200521-00	Locking Flange Nut, M10		5
26	R0200384-00	Bolt M6×20		2
27	R0202060-00	Baffle		1
28	R0200513-00	Flange Nut, M8		2
29	R0200509-00	Hexagon Head Bolts, M10X25		4
30	R0202062-00	Copper bushing		1
31	R0202063-00	Steering gear		1
32	R0103055-00	Steering Column		1
33	R0202065-00	Steering column coupler		1
34	R0200540-00	Washer, Φ8.1		4
35	R0203254-00	Screw		4
36	R0103056-00	Steering Column		1

Ref Number	Part Number	Part Description	Context Notes	Quantity
37	R0103054-00	Gear Connection Fixed Seat		1

# 61 Seat

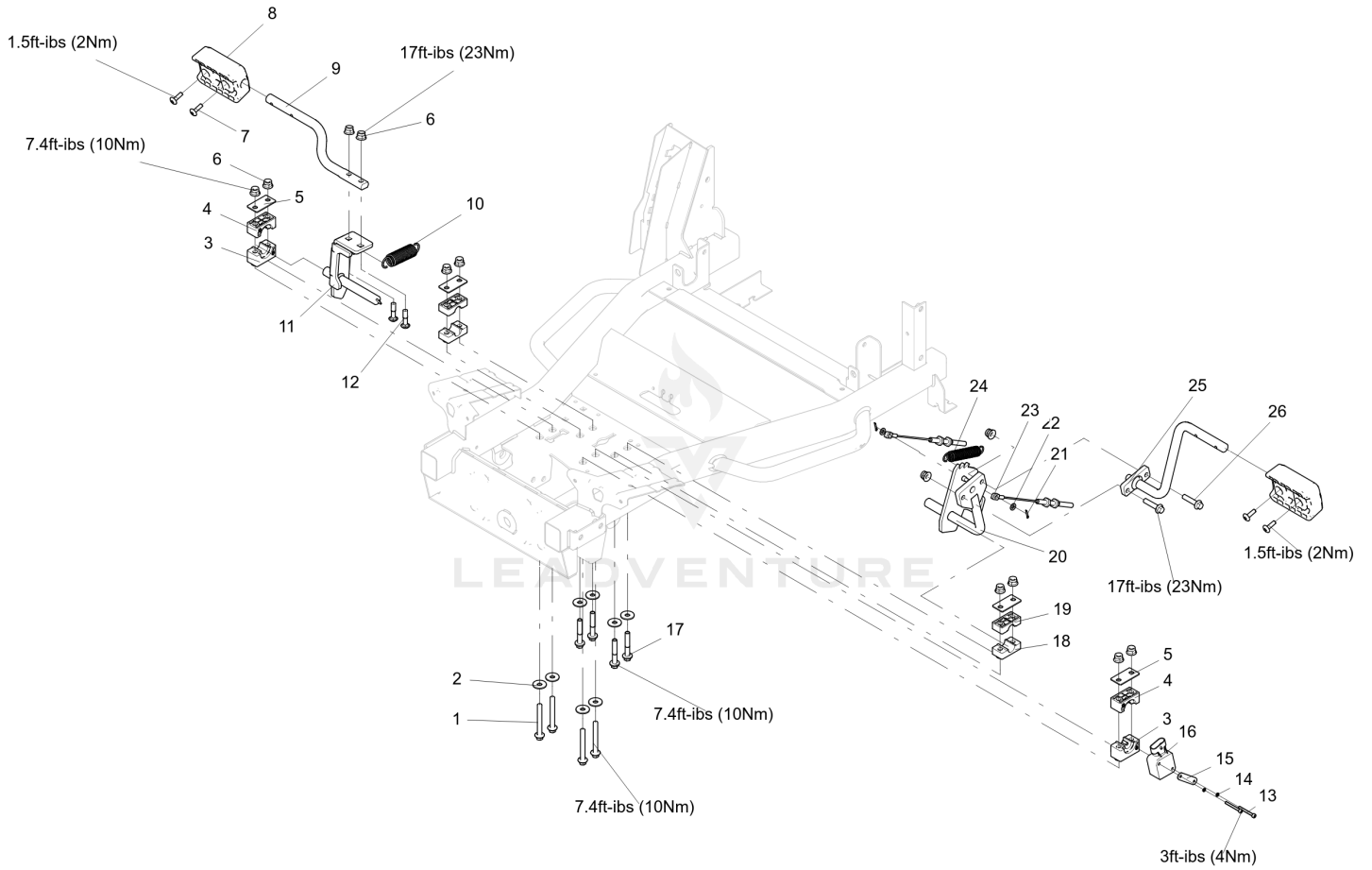


Rendered by LeadVenture, Inc.

## 61\_Seat

<b>Ref Number</b>	<b>Part Number</b>	<b>Part Description</b>	<b>Context Notes</b>	<b>Quantity</b>
1	R0200398-00	Bolt, Hex M8*25		2
2	R0201528-00	Bushing		2
3	R0200496-00	Locking Flange Nut, M8		2
4	R0209404-00	Seat Fixed Plate		1
5	R0202186-00	Protective Sleeve		4
6	R0200571-00	Nut 5/16-18		4
7	R0200548-00	Plain Washers, $\Phi 8$		4
8	R0202039-00	Limited Rod		2
9	R0203169-00	Spring		2
10	R0200534-00	Bolt, Hex With Washers M8x20		2
11	R0208522-00	Seat		1

### 68\_Pedal Assembly

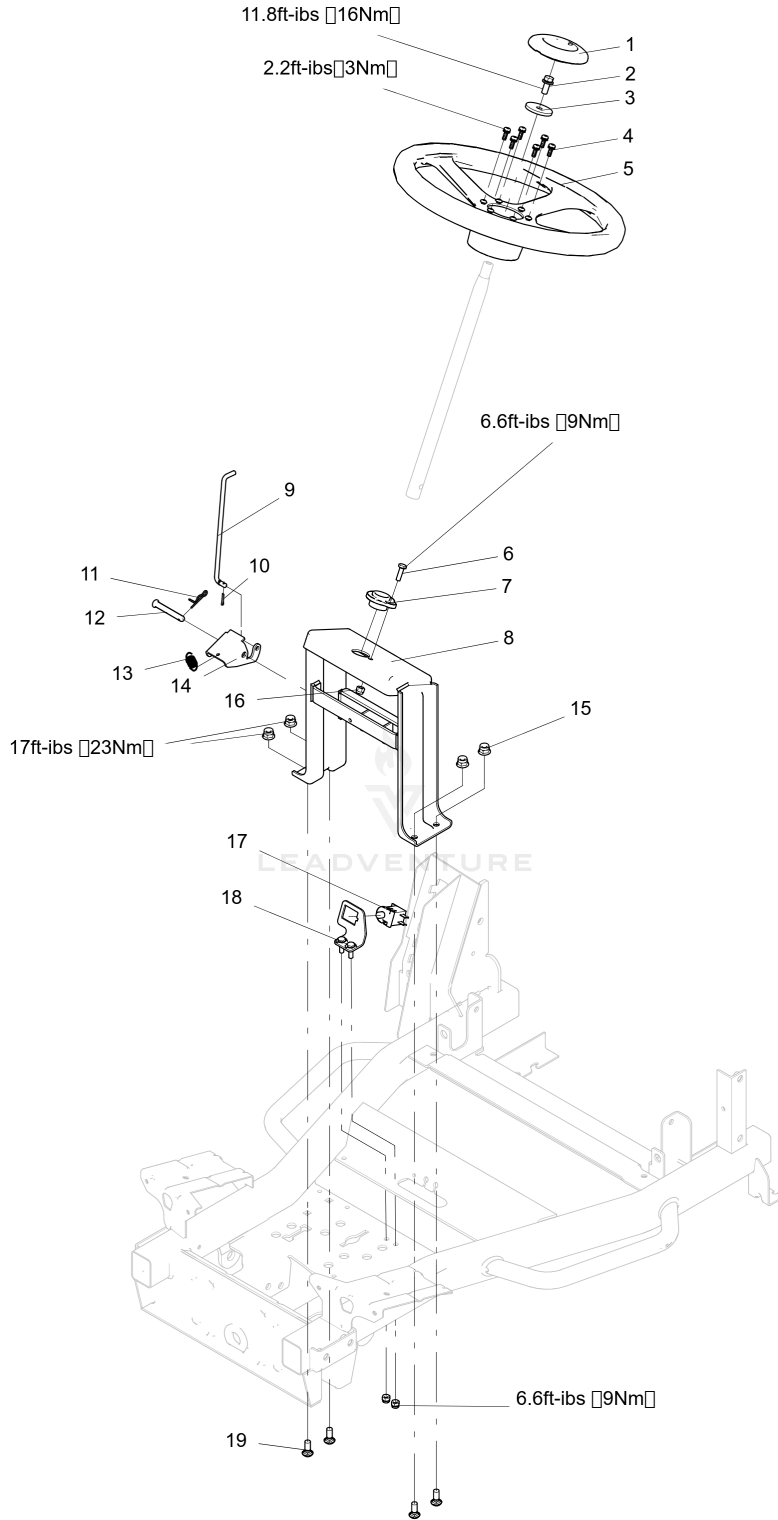


Rendered by LeadVenture, Inc.

## 68\_Pedal Assembly

Ref Number	Part Number	Part Description	Context Notes	Quantity
1	R0200510-00	Hexagon Flange Bolt, M8*65		4
2	R0200541-00	Washer, $\Phi 8$		8
3	R0103063-00	Lower Base		2
4	R0103064-00	Upper Coverplate		2
5	R0103065-00	Retaining Plate		4
6	R0200496-00	Locking Flange Nut, M8		12
7	R0201376-00	Screw, Torx T30 M6*20		4
8	R0202071-00	Pedal		2
9	R0103062-00	Front Pedal		1
10	R0202080-00	Brake spring		1
11	R0103061-00	Pedal Weldment		1
12	R0200528-00	Carriage Bolt, M8X30		2
13	R0201539-00	Socket Head Cap Screw, M4x35		2
14	R0200536-00	Spring Washer, $\Phi 4.1$		2
15	R0201541-00	Subplate		1
16	R0201542-00	Accelerator		1
17	RA32204688	Hexagon Bolts With Flange, M8*50		4
18	R0103059-00	Support Base		2
19	R0103060-00	Support Base		2
20	R0103058-00	Rear Rotating Shaft Weldment		1
21	R0202073-00	Split pin		2
22	R0200547-00	Plain Washers, $\Phi 6$		2
23	R0202074-00	Brake cable		2
24	R0202077-00	Brake Extension Spring		1
25	R0103057-00	Brake Swing Arm		1
26	R0200349-00	Bolt M8x35		2

# 67 Steering Control Assembly



Rendered by LeadVenture, Inc.

## 67\_Steering Control Assembly

<b>Ref Number</b>	<b>Part Number</b>	<b>Part Description</b>	<b>Context Notes</b>	<b>Quantity</b>
1	R0202070-00	Middle cover plate		1
2	R0200534-00	Bolt, Hex With Washers M8×20		1
3	R0202069-00	Washer		1
4	R0203456-00	Bolt, Hex With Washers M5×10		6
5	R0202068-00	Steering wheel		1
6	R0200384-00	Bolt M6×20		1
7	R0202087-00	Nylon sleeve		1
8	R0103070-00	Fixed Bracket		1
9	R0103067-00	Pull Handle		1
10	R0202073-00	Split pin		1
11	R0201398-00	Pin		1
12	R0103426-00	Pin		1
13	R0103071-00	Extension Spring		1
14	R0103066-00	Limit Plate		1
15	R0200496-00	Locking Flange Nut, M8		4
16	R0200518-00	Locking Nut, M6		3
17	R0200366-00	Switch (Brake, Seat)		1
18	R0103072-00	Switch Base		1

Ref Number	Part Number	Part Description	Context Notes	Quantity
19	R0200526-00	Cup Head Bolts-Grade B, M8*20		4